

Model #

**2316GACb**

**2316CAFb**

**2316FSTb**

**McKenzie Queen**

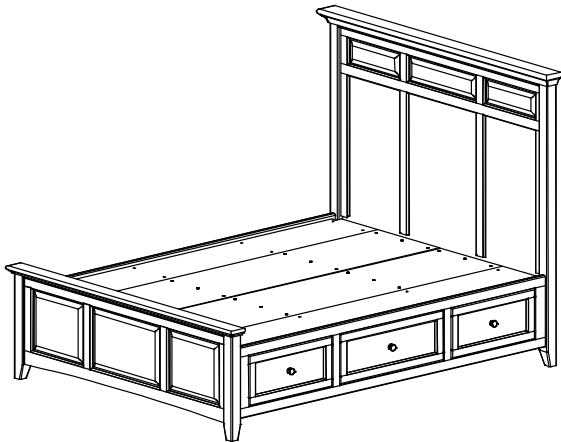
**Mantel Storage Bed**

**GAC = Glazed Antique Cherry finish**

**CAF = Caffè finish**

**FST = Fieldstone finish**

*Assembly Instructions*



*Thank you for allowing us to help you furnish your home. We are certain you will be delighted with your new furniture for many years to come.*

**IMPORTANT NOTES:**

- For normal household use only. *Not* recommended for commercial use.
- Remove items before you move this unit.
- Do not overload the drawers.
- This assembly requires two people.

**⚠ WARNING**

Drilling, sawing, sanding or machining wood products can expose you to wood dust, a substance known to the state of California to cause cancer. Avoid inhaling wood dust or use a dust mask or other safeguards for personal protection.

For more information go to: [www.p65warnings.ca.gov/wood](http://www.p65warnings.ca.gov/wood)

This product can expose you to chemicals, including formaldehyde, which are known to the State of California to cause cancer.

For more information go to: [www.p65warnings.ca.gov/furniture](http://www.p65warnings.ca.gov/furniture)

**DESIGN SUBJECT TO CHANGE WITHOUT NOTICE.**

**CUSTOMER SERVICE**

If you ever have questions about your furniture, please do not hesitate to contact us. In the unlikely event you need a replacement part; we can make those parts available through an authorized Whittier Wood Furniture dealer. If you cannot order replacement parts through your dealer, please contact our customer service department.

**Hours:** Our friendly customer service staff can be reached:

**Monday-Friday 8:00 a.m. to 5:00 p.m. (Pacific Time).**

You may leave a message 24 hours a day, seven days a week.

**Customer Service:** 800-653-3336 • **Outside the U.S.:** 541-687-0213

**Fax:** 541-687-2060 • **Email:** [info@whittierwood.com](mailto:info@whittierwood.com)



P.O. Box 2827  
Eugene, OR 97402 USA

Production Code:

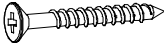
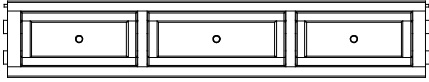


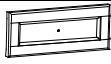




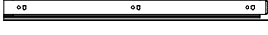



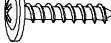



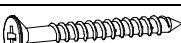
VN

10/17

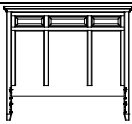

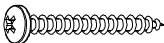
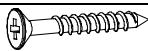



## 2316GACb 2316CAFb 2316FSTb McKenzie Queen Mantel Storage Bed Parts List

Please identify the parts and check that quantities received match those on this list.  
If you need to replace a part, refer to the following letter and part name.

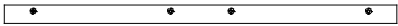




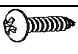
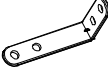
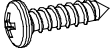



### 1318GACe 1318CAFe 1318FSTe Pedestal Kit (x2)

Part	Description	Quantity
E	#8 x 1-1/4" Black Screw (inserted) 	30
Id	Pedestal Kit 	1
J	Small Drawer Box (assembled) 	2
Kd	Large Drawer Box (assembled) 	1
L	Small Drawer Face (attached) 	2
Md	Large Drawer Face (attached) 	1
Ne	#8 x 1-1/2" Machine Screw Tuscan (installed) 	3
O	Knob (attached) 	3
Pd	Deckboard 	1
Q	20" Drawer Slides (installed) 	3 sets
T	#8 x 2" Black Screw (inserted) 	12
YD	#6 x 1/2" Philtruss Screw (inserted) 	18
YE	#6 x 3/4" Philtruss Screw (inserted) 	18
YL	#8 x 7/8" Black Lo-Profile Screw (inserted) 	20
ZP	#8 x 1" Black Screw (inserted) 	16
ZQ	Left Bracket (attached) 	2
ZR	Right Bracket (attached) 	2
ZX	#8 x 1-5/8" Black Screw (inserted) 	16

**2317GAC 2317CAF 2317FST**  
**Queen Mantel Headboard/Footboard Kit (x1)**

Part	Description		Quantity
A	Headboard Assembly		1
B	Footboard Assembly		1
YI	#8x 1-1/4" Pan Head Screw (inserted)		8
ZP	#8 x 1" Black Screw (inserted)		32
ZQ	Left Bed Bracket (attached)		4
ZR	Right Bed Bracket (attached)		4
ZX	#8 x 1-5/8" Black Screw (inserted)		4

## 2318Wb Queen Mantel Assembly Kit (x1)

<b>Part</b>	<b>Description</b>	<b>Quantity</b>
Db	Trestle With T-Nuts 	7
E	#8 x 1-1/4" Black Screw 	33 (9 inserted)
F	1/4" x 1-3/4" Hex Bolt 	26
Ub	Assembled Foot 	3
W	Adjustable Glide (installed) 	3
YD	#6 x 1/2" Philtruss Screw 	8
YG	90° Bracket 	2
YM	#10 x 3/4" Pan Head Screw (inserted) 	12
YN	18mm Washer 	26
ZU	1/4" T-Nut (inserted) 	28
ZY	Foot Bracket (attached) 	3

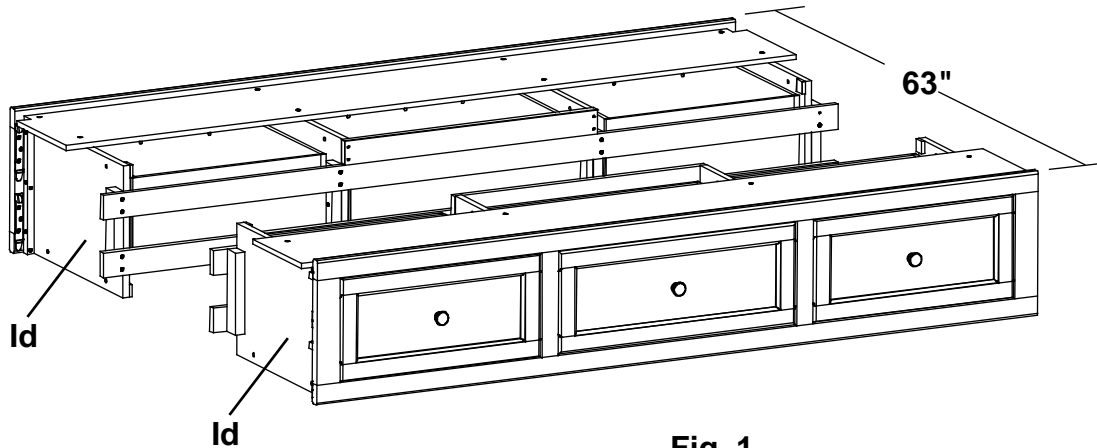
# 2316GACb 2316CAFb 2316FSTb McKenzie Queen Mantel Storage Bed

## Assembly Instructions

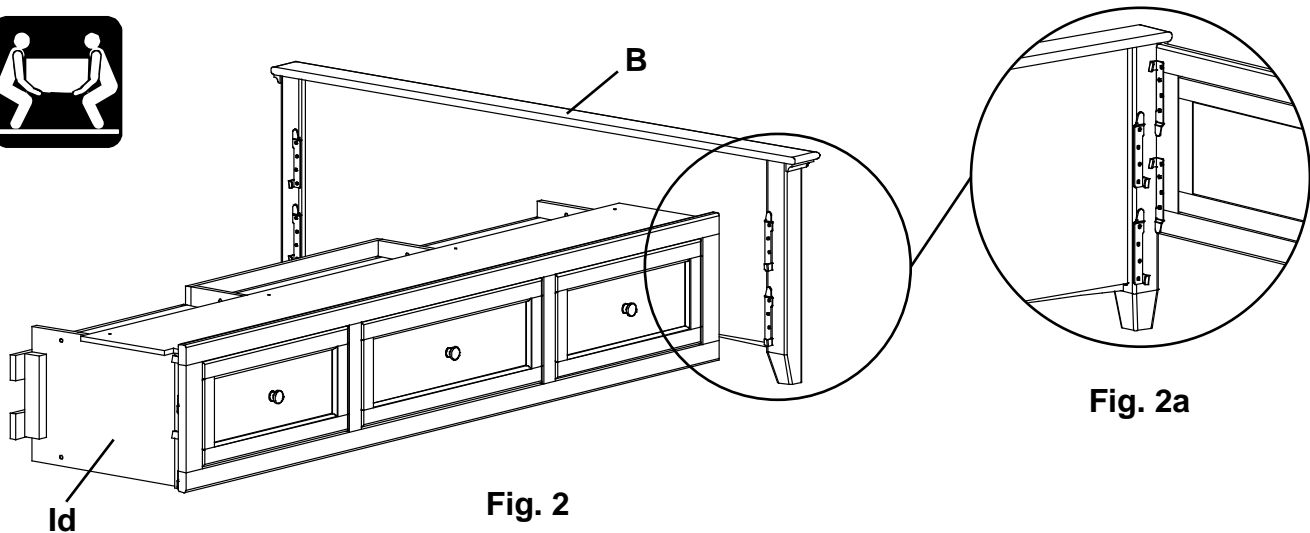
This assembly requires two people.

**Tools Required:** Phillips screwdriver, 7/16" open end or box end wrench and Tape measure

1. Place both Pedestals (Id) approximately 63" apart as shown in Figure 1.



2. To attach the Footboard (B) to the Pedestal Assembly (Id), align the Brackets and slide the Pedestal Assembly down on to the Footboard (B). See Figures 2 and 2a.



# 2316GACb 2316CAFb 2316FSTb McKenzie Queen Mantel Storage Bed

## Assembly Instructions

This assembly requires two people.

- Repeat step two for the left side.

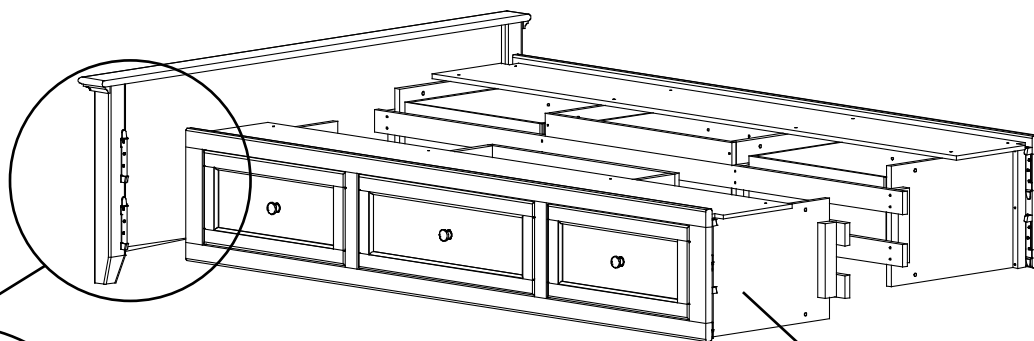


Fig. 3

Id

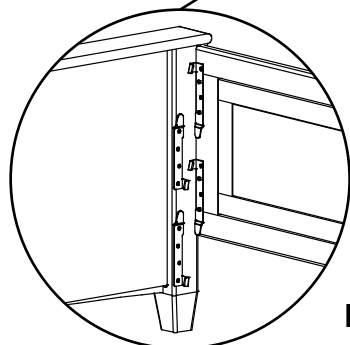


Fig. 3a

- Align the Brackets on both sides and slide the Pedestal/Footboard assembly down on to the Headboard (A). See Figure 4.

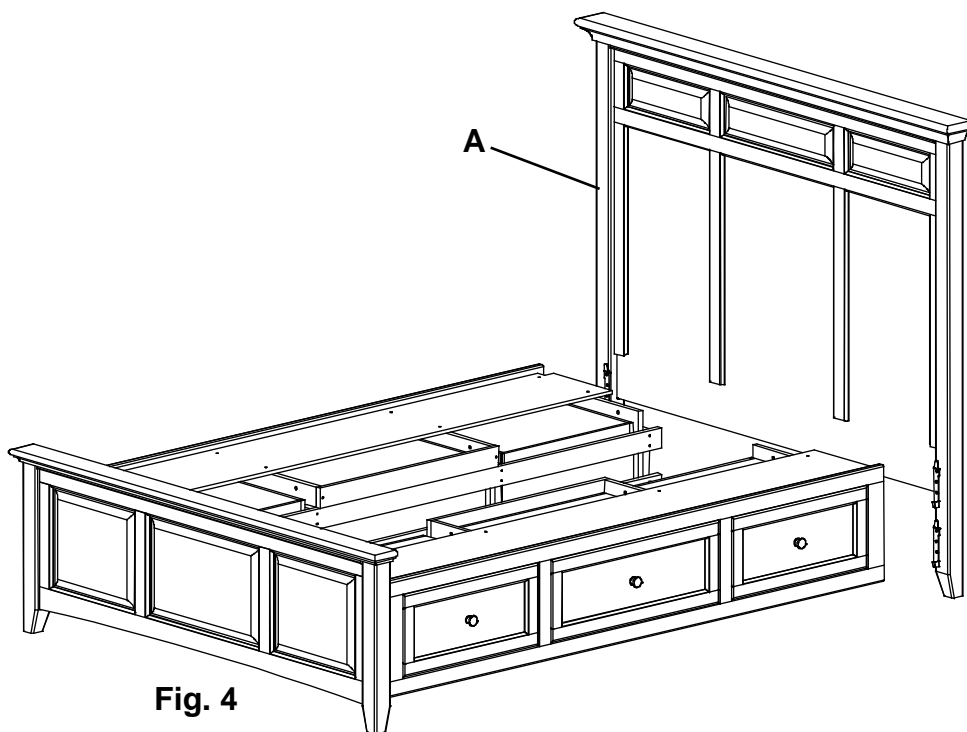


Fig. 4

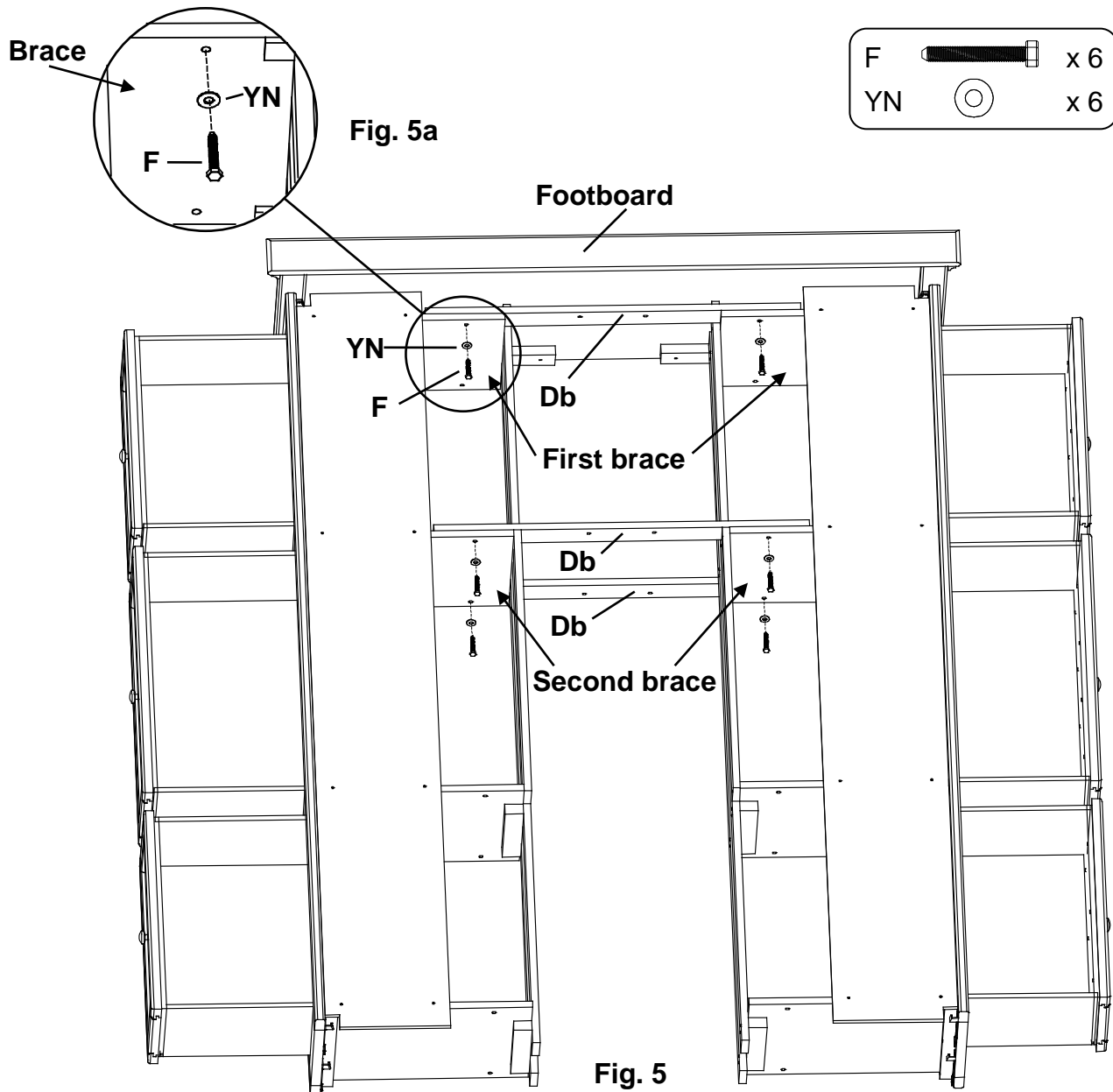
# 2316GACb 2316CAFb 2316FSTb McKenzie Queen Mantel Storage Bed

## Assembly Instructions

This assembly requires two people.

5. Open the drawers. Face the Footboard and stand in between the first and second braces. Place a Trestle with T-Nuts (Db) on the outside surfaces of the first upper left and right braces so that the T-Nuts (ZU) sit near the top. See Figure 5a. Line up the upper edges of the trestle and braces so they are nearly flush. Insert two 1/4" x 1-3/4" Hex Bolts (F) and Washers (YN) and tighten. Repeat for the second upper brace.

Place a Trestle with T-Nuts (Db) on the outside surface of the second lower brace so that the T-Nuts (ZU) sit near the bottom. Line up the bottom edges of the trestle and braces so they are nearly flush. Insert two 1/4" x 1-3/4" Hex Bolts (F) and Washers (YN) and tighten. See Figures 5 and 5a.



**Headboard removed for illustration purposes.**

# 2316GACb 2316CAFb 2316FSTb McKenzie Queen Mantel Storage Bed

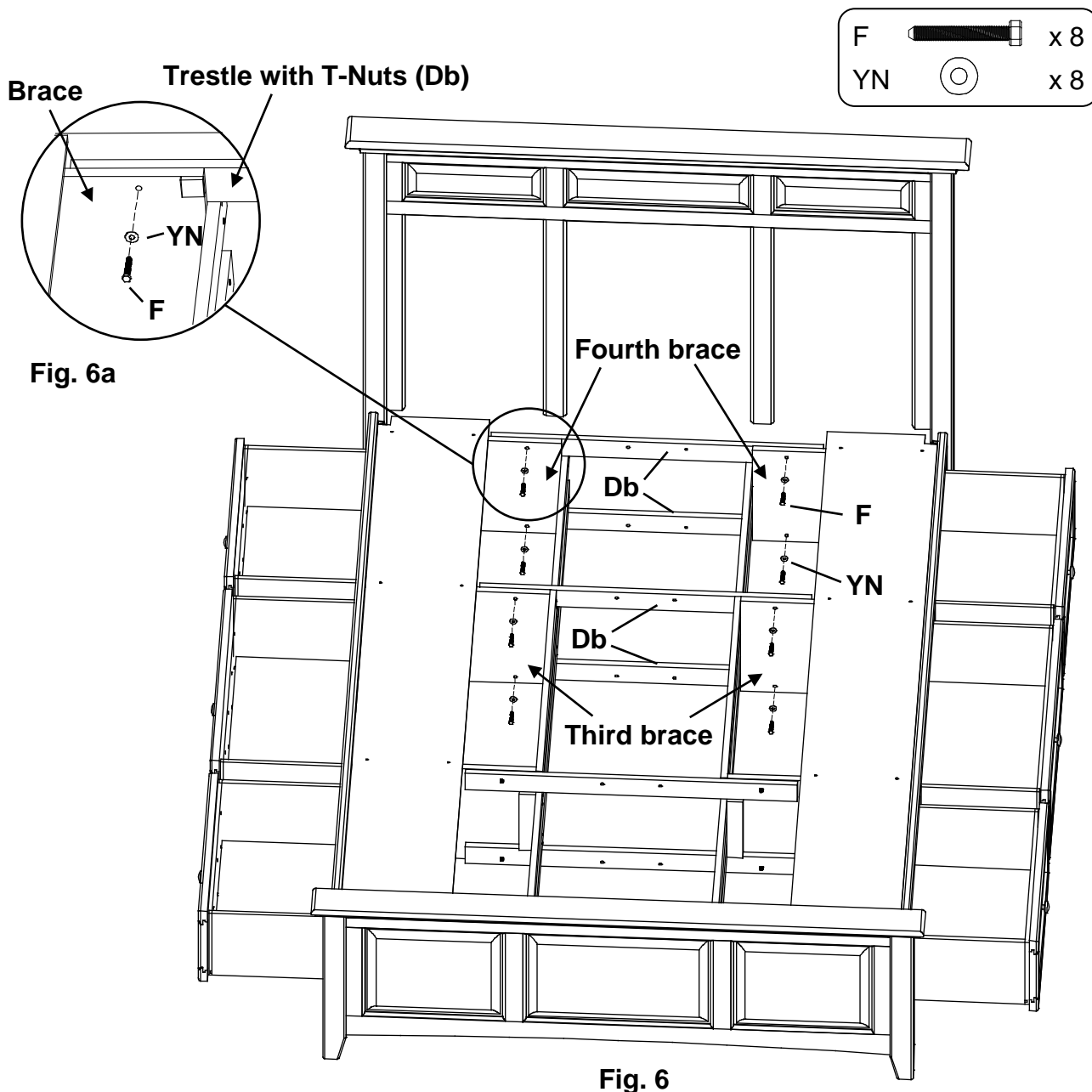
## Assembly Instructions

This assembly requires two people.

6. Face the Headboard and stand in between the third and fourth braces. Place a Trestle with T-Nuts (Db) on the outside surfaces of the third **upper** left and right braces so the T-nuts sit near the top. See Figures 6 and 6a. Line up the upper edges of the trestle and braces so they are nearly flush. Insert two 1/4" x 1-3/4" Hex Bolts (F) and Washers (YN) and tighten.

Place a Trestle with T-Nuts (Db) on the outside surface of the third left and right **lower** braces so that the T-nuts sit near the bottom. Line up the bottom edges of the trestle and braces so they are nearly flush. Insert two 1/4" x 1-3/4" Hex Bolts (F) and Washers (YN) and tighten. See Figures 6 and 6a.

Repeat for the fourth braces.





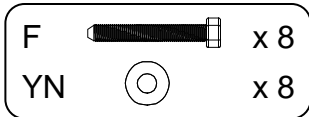
# 2316GACb 2316CAFb 2316FSTb McKenzie Queen Mantel Storage Bed

## Assembly Instructions

This assembly requires two people.

7. **NOTE:** There are blocks mounted on the back side of the Footboard to support the end of the pedestal eliminating the need for an Assembled Foot in this position where it would be easily visible. Do not attach an Assembled Foot in the position near the footboard.

Facing the Headboard, place two Assembled Feet (Ub) on the inside faces of the third and fourth upper and lower Trestles. Attach with Washers (YN) and 1/4" x 1-3/4" Hex Bolts (F). See Figures 7 and 7a.



Trestle with T-Nuts (Db)

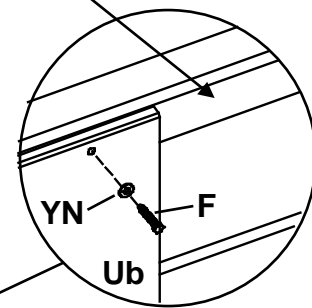


Fig. 7a

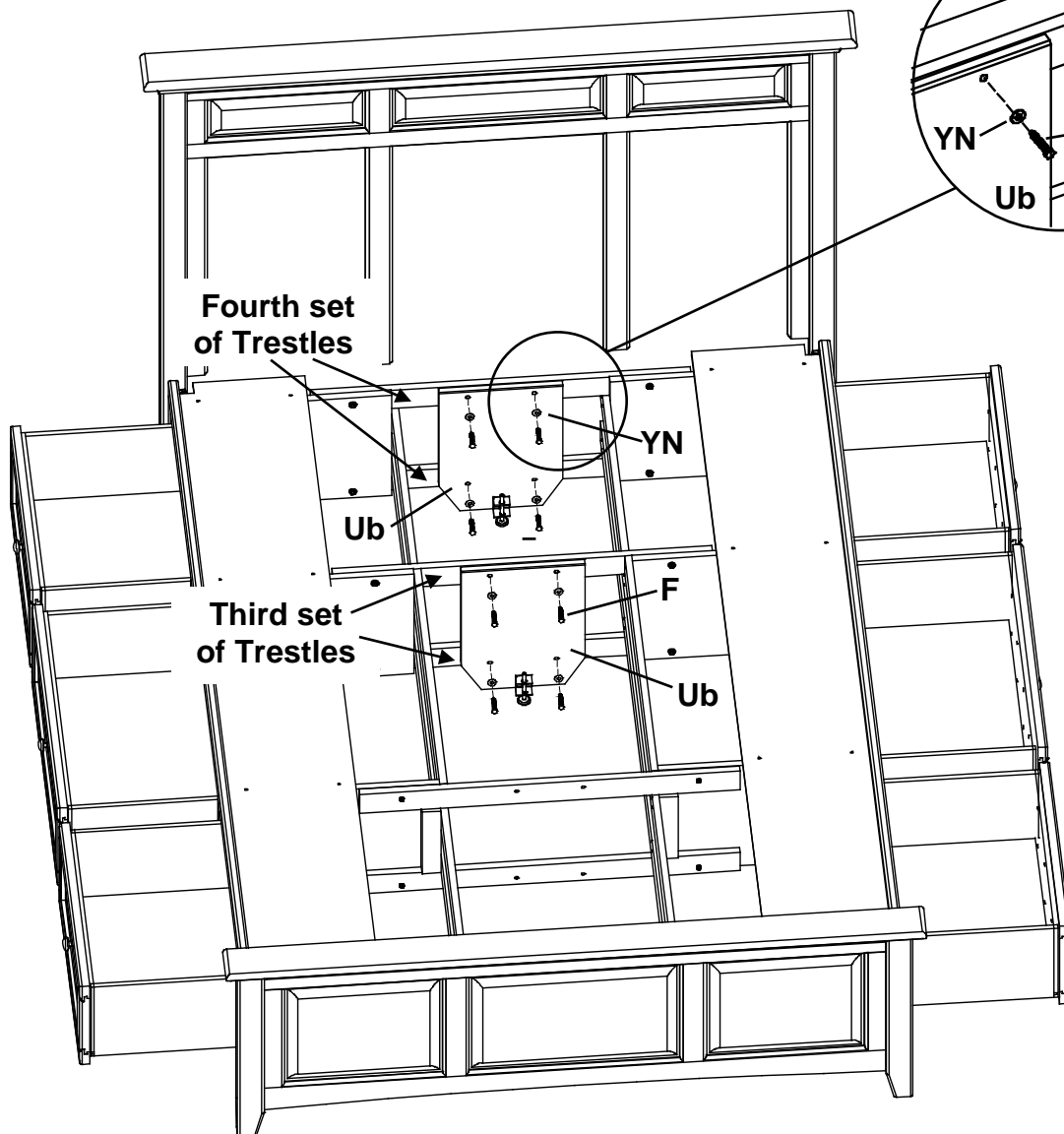


Fig. 7

# 2316GACb 2316CAFb 2316FSTb McKenzie Queen Mantel Storage Bed

## Assembly Instructions

This assembly requires two people.

8. **NOTE:** There are blocks mounted on the back side of the Footboard to support the end of the pedestal eliminating the need for an Assembled Foot in this position where it would be easily visible. Do not attach an Assembled Foot in the position near the footboard.

Facing the Footboard, place an Assembled Foot (Ub) on the inside of the second set of Trestles and attach with four Washers (YN) and four 1/4" x 1-3/4" Hex Bolts (F). See Figures 8 and 8a.

Place your bed in its final position. Adjust all three Glides (W) found at the bottoms of the Assembled Feet so that the Glides just touch the floor.

**IMPORTANT:** Make sure the Glides touch the floor and carry weight.



Fig. 8a

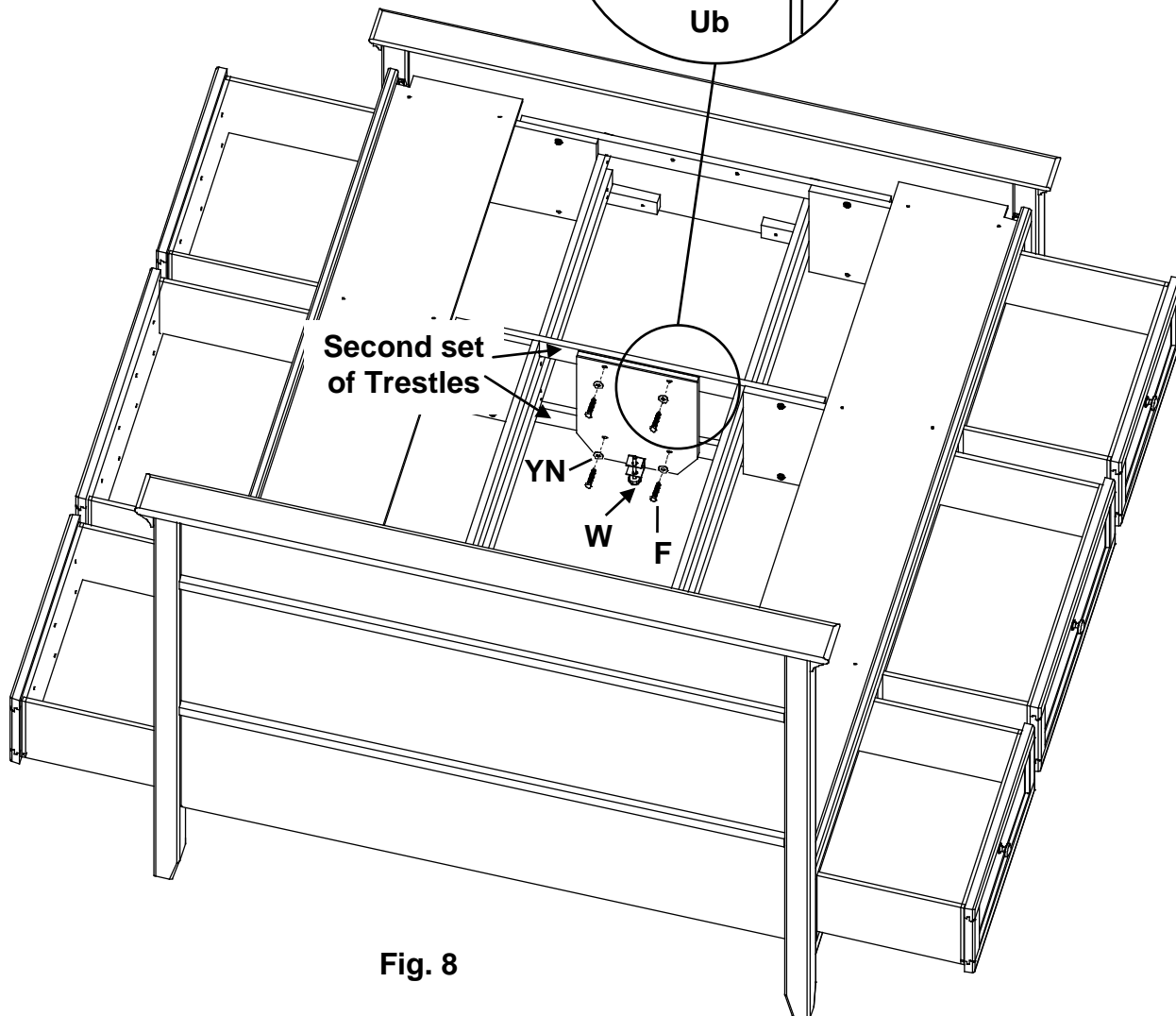
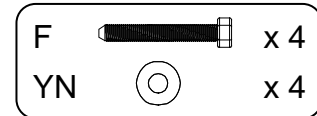
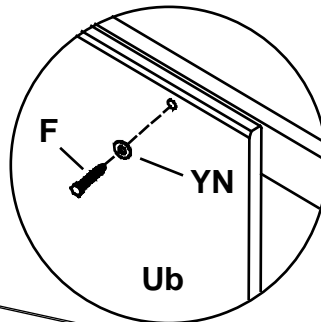


Fig. 8

# 2316GACb 2316CAFb 2316FSTb McKenzie Queen Mantel Storage Bed

## Assembly Instructions

This assembly requires two people.

9. Facing the Footboard, attach the Pedestal Assembly to the Footboard with a 90° Bracket (YG) and four #6 x 1/2" Philtruss Screws (YD). Repeat for the other side. See Figures 9 and 9a.

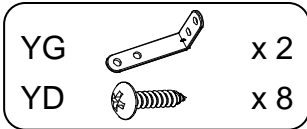


Fig. 9a

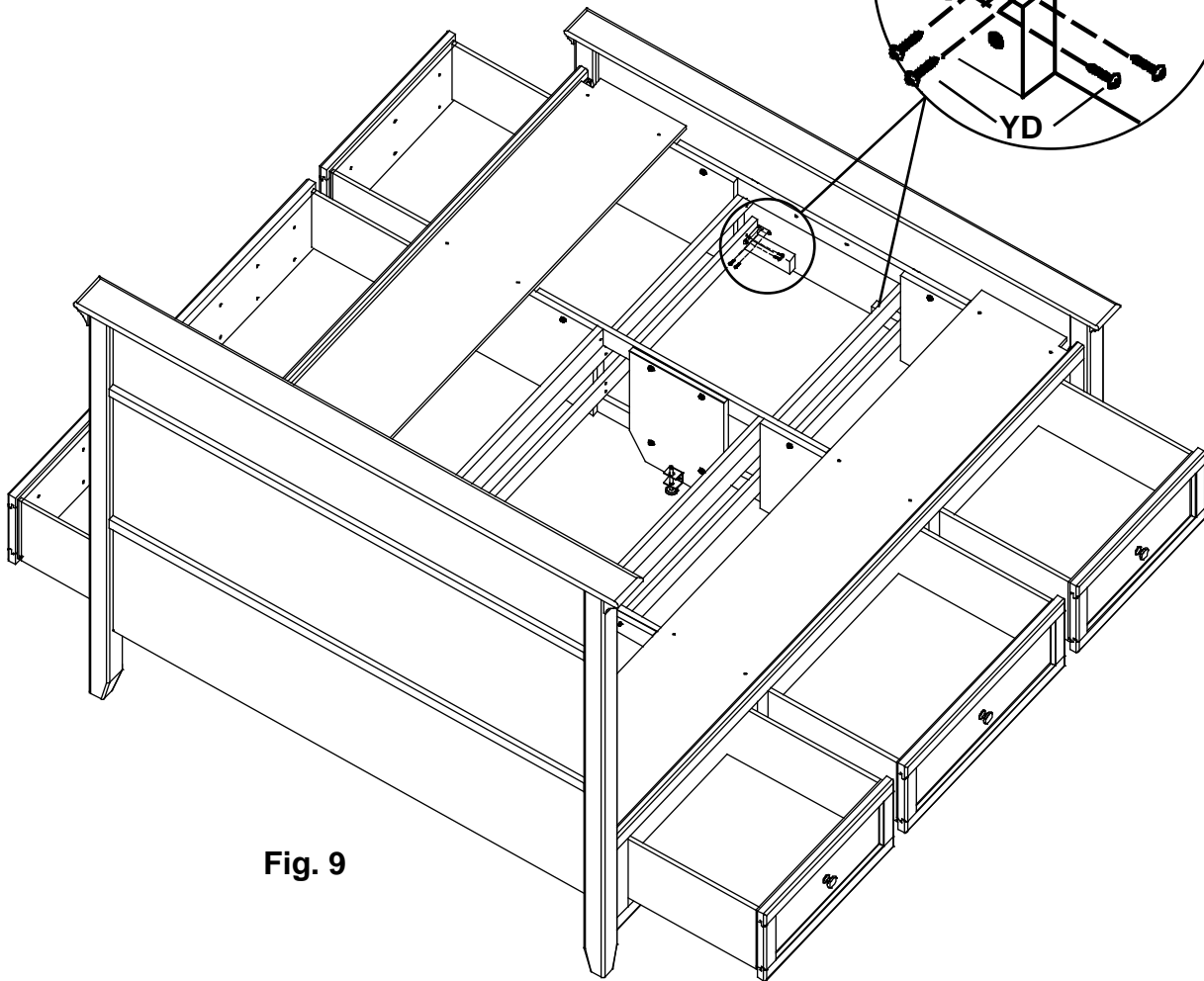
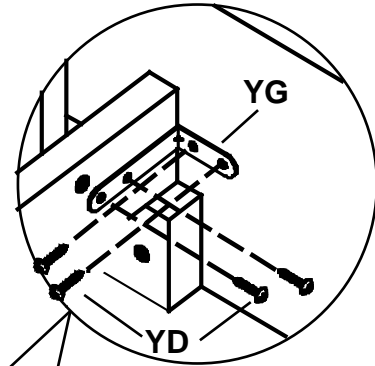


Fig. 9

# 2316GACb 2316CAFb 2316FSTb McKenzie Queen Mantel Storage Bed

## Assembly Instructions

This assembly requires two people.

10. To make sure the bed is square, measure the distance between opposing corners. If one of the measurements is larger, tap on a footboard leg until the measurement is equal. See Figure 10.

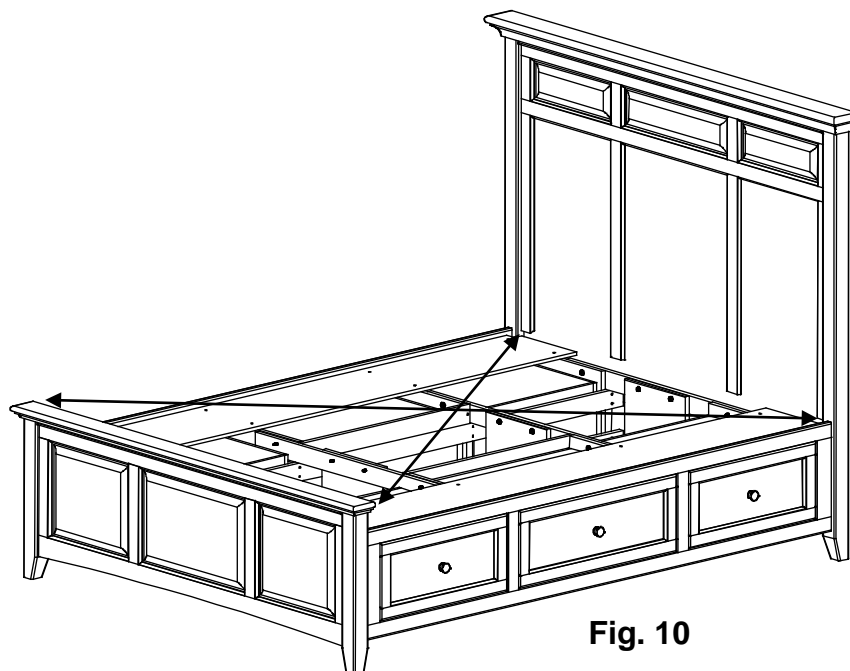


Fig. 10

11. Place the Deckboards (Pd) as shown in Figure 11 and secure with twenty-four #8x1-1/4" Black Screws (E). There should be a small gap between each deckboard.

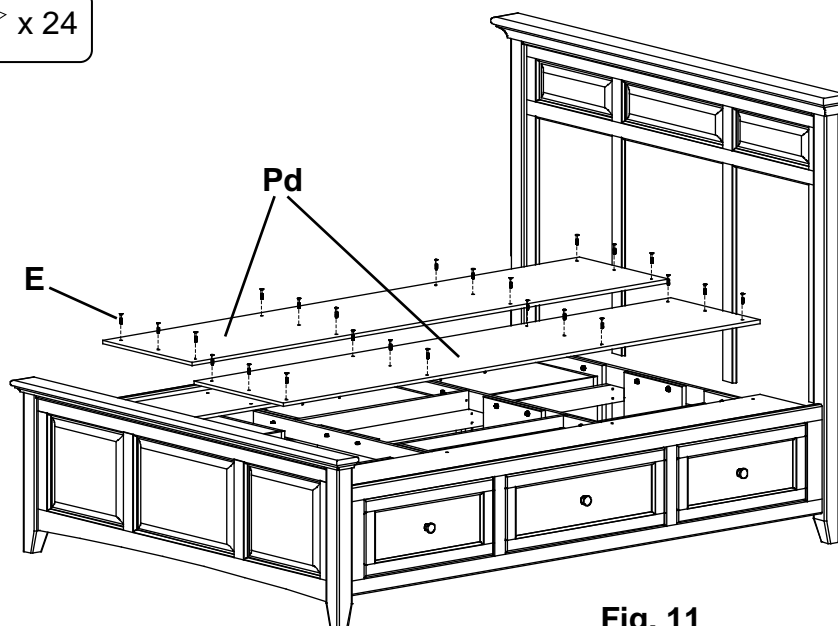
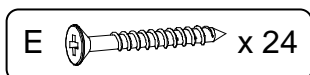


Fig. 11