

# McKenzie Mantel Beds

GAC = Glazed Antique Cherry finish

CAF = Caffè finish

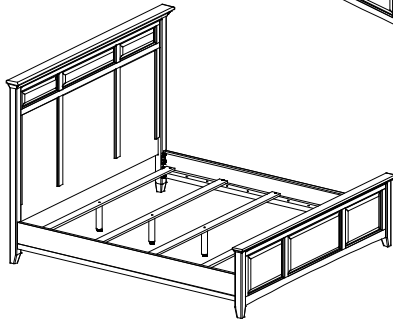
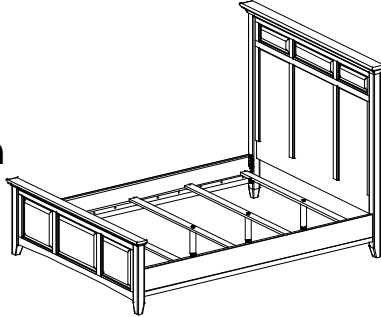
Assembly Instructions

Model #

**2346GACd**

**2346CAFd**

**McKenzie Queen  
Mantel Bed**



**2349GACd**

**2349CAFd**

**McKenzie King  
Mantel Bed**

## IMPORTANT NOTES:

- For normal household use only. *Not* recommended for commercial use.
- Unload items before you move this unit.
- This assembly requires two people.

## WARNING

Drilling, sawing, sanding or machining wood products can expose you to wood dust, a substance known to the state of California to cause cancer. Avoid inhaling wood dust or use a dust mask or other safeguards for personal protection.

For more information go to: [www.p65warnings.ca.gov/wood](http://www.p65warnings.ca.gov/wood)

This product can expose you to chemicals, including formaldehyde, which are known to the State of California to cause cancer. For more information go to: [www.p65warnings.ca.gov/furniture](http://www.p65warnings.ca.gov/furniture)

*Thank you for allowing us to help you furnish your home. We are certain you will be delighted with your new furniture for many years to come.*

**DESIGN SUBJECT TO CHANGE WITHOUT NOTICE.**

## CUSTOMER SERVICE

If you ever have questions about your furniture, please do not hesitate to contact us. In the unlikely event you need a replacement part; we can make those parts available through an authorized Whittier Wood Furniture dealer. If you cannot order replacement parts through your dealer, please contact our customer service department.

**Hours:** Our friendly customer service staff can be reached:

**Monday-Friday 8:00 a.m. to 5:00 p.m. (Pacific Time).**

You may leave a message 24 hours a day, seven days a week.

**Customer Service: 800-653-3336 • Outside the U.S.: 541-687-0213**

**Fax: 541-687-2060 • Email: [info@whittierwood.com](mailto:info@whittierwood.com)**

**Whittier  
Wood**  
FURNITURE

P.O. Box 2827  
Eugene, OR 97402 USA

Production Code:

VN

04/18

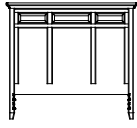
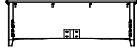
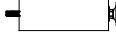
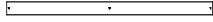


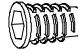

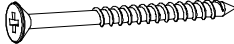
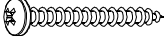
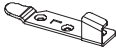
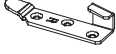
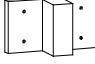
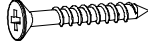

**2346GACd 2346CAFd McKenzie Queen Mantel Bed  
2349GACd 2349CAFd McKenzie King Mantel Bed**

*Parts List*

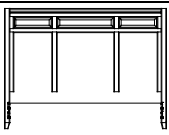

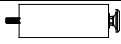
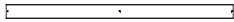






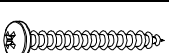







Please note this Assembly Instruction is for McKenzie Queen Mantel Bed (#2346) and McKenzie King Mantel Bed (#2349). The Parts Lists for each component follow.

Please identify the parts and check that the quantities received match those on this list. If you need to replace a part, refer to the model number, part letter and name.

**2347GACd 2347CAFd  
Queen Mantel Headboard/Footboard Kit (x1)**

Part	Description		Quantity
Ac	Headboard Assembly		1
Bd	Footboard Assembly		1
Ca	Assembled Foot		4
D	Queen Slat (60-5/8")		5
E	#8 x 1-1/4" Black Screw		10
F	Adjustable Glide with Hex Nut (installed)		4
G	5/16" x 3/4" Insert Nut (inserted)		4
I	1/4" x 45mm Hanger Bolt (inserted)		4
T	#8 x 2" Black Screw (inserted)		2
YI	#8 x 1-1/4" Pan Head Screw (inserted)		12
YL	Small Left Bed Bracket (attached)		4
YM	Small Right Bed Bracket (attached)		4
YN	Slat Support (attached)		1
ZP	#8 x 1" Black Screw (inserted)		24
ZU	1/4" T-Nut (inserted)		5





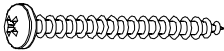
## 2350GACd 2350CAFd King Mantel Headboard/Footboard Kit (x1)

Part	Description		Quantity
Ac	Headboard Assembly		1
Bd	Footboard Assembly		1
Ca	Assembled Foot		4
D	King Slat (76-9/16")		5
E	#8 x 1-1/4" Black Screw		10
F	Adjustable Glide with Hex Nut (installed)		4
G	5/16" x 3/4" Insert Nut (inserted)		4
I	1/4" x 45mm Hanger Bolt (inserted)		4
T	#8 x 2" Black Screw (inserted)		2
YH	Top Assembly		1
YI	#8 x 1-1/4" Pan Head Screw		10 (8 inserted)
YJ	Cam Connector (inserted)		2
YK	Cam Housing		2
YL	Small Left Bed Bracket (attached)		4
YM	Small Right Bed Bracket (attached)		4
YN	Slat Support (attached)		1
ZP	#8 x 1" Black Screw (inserted)		24
ZU	1/4" T-Nut (inserted)		5

**2346GACd 2346CAFd McKenzie Queen Mantel Bed  
 2349GACd 2349CAFd McKenzie King Mantel Bed  
 Parts List**

---

**2348GACd 2348CAFd Queen/King Rail Kit (x1)**

<b>Part</b>	<b>Description</b>	<b>Quantity</b>
Kd	Side Rail 	2
L	#8 x 5/8" Flat Head Screw (inserted) 	24
YL	Small Left Bed Bracket (attached) 	4
YM	Small Right Bed Bracket (attached) 	4
YO	#10 x 2" Pan Head Screw (inserted) 	22

**2346GACd 2346CAFd McKenzie Queen Mantel Bed  
2349GACd 2349CAFd McKenzie King Mantel Bed**

*Assembly Instructions*

This assembly requires two people.

**Tools Required: Phillips screwdriver**

1. Remove the Slats (D) from the back of the Headboard (Ac) and place them off to the side. See Figures 1 and 1a.



(For 2346)

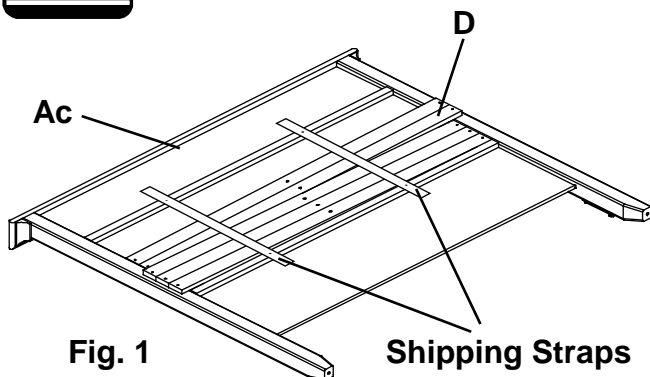


Fig. 1

(For 2349)

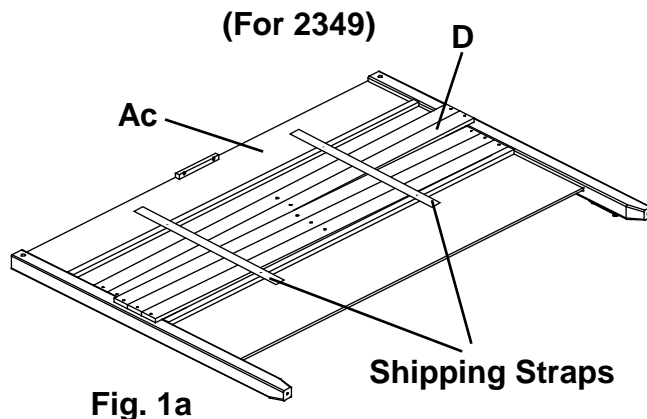


Fig. 1a

**Notes:**

Step 2 & 3 are for the McKenzie King Mantel Bed (#2349) only.

2. **NOTE: READ CAM INSTRUCTIONS NOW BEFORE YOU BEGIN THE FOLLOWING STEP.** Insert Cam Housings (YK) into the two pre-drilled holes on the Headboard Assembly (Ac) as shown in Figure 2. Lower Top Assembly (YH) so that the Cam Connectors (YJ) fit into the housings (YK) tighten the cam housings as indicated in the Cam-lock System instructions. See Figures 2 and 2a.

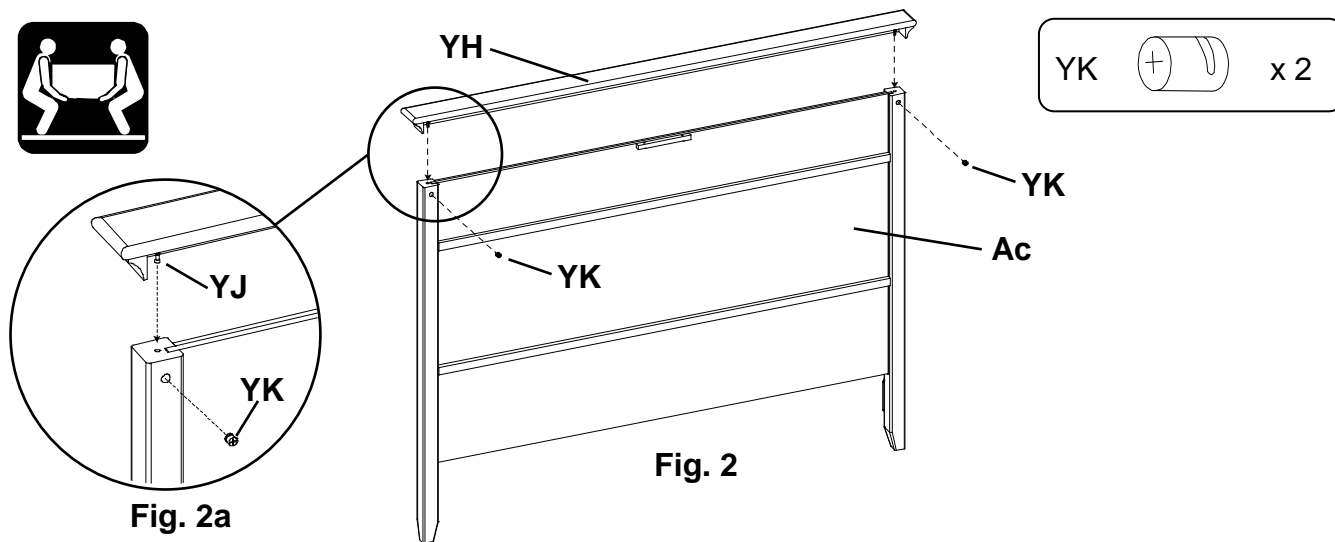


Fig. 2

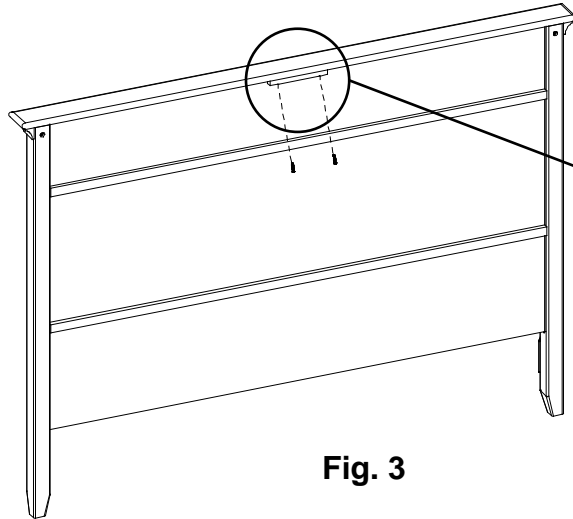
Fig. 2a

**2346GACd 2346CAFd McKenzie Queen Mantel Bed**  
**2349GACd 2349CAFd McKenzie King Mantel Bed**

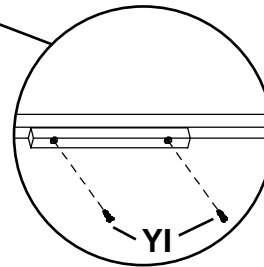
*Assembly Instructions*

This assembly requires two people.

3. Attach the Top Assembly (YH) to the Headboard Assembly (Ac) by inserting two #8x1-1/4" Pan Head Screws (YI) into the predrilled holes in the block that is attached to the Headboard Assembly (Ac). See Figures 3 and 3a.

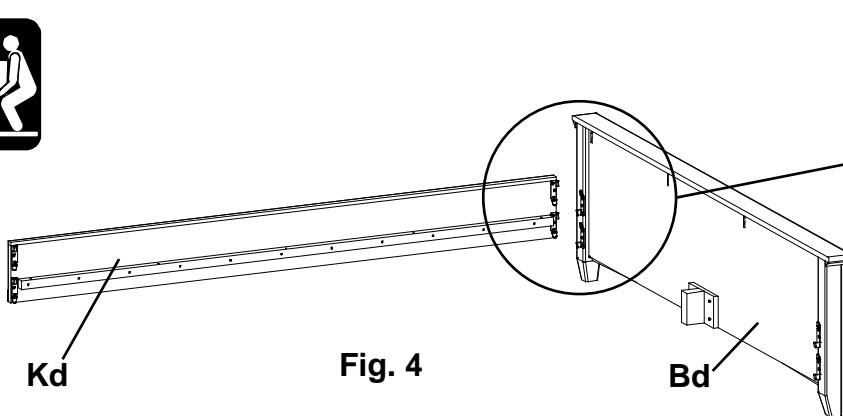


**Fig. 3**

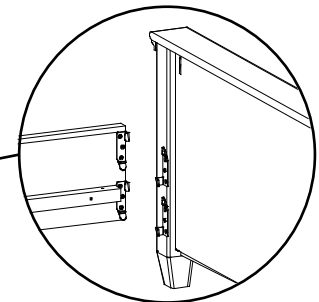


**Fig. 3a**

4. To attach the Footboard (Bd) to the Side Rail (Kd), align the Brackets and slide the Side Rail (Kd) down on to the Footboard (Bd). See Figures 4 and 4a.



**Fig. 4**



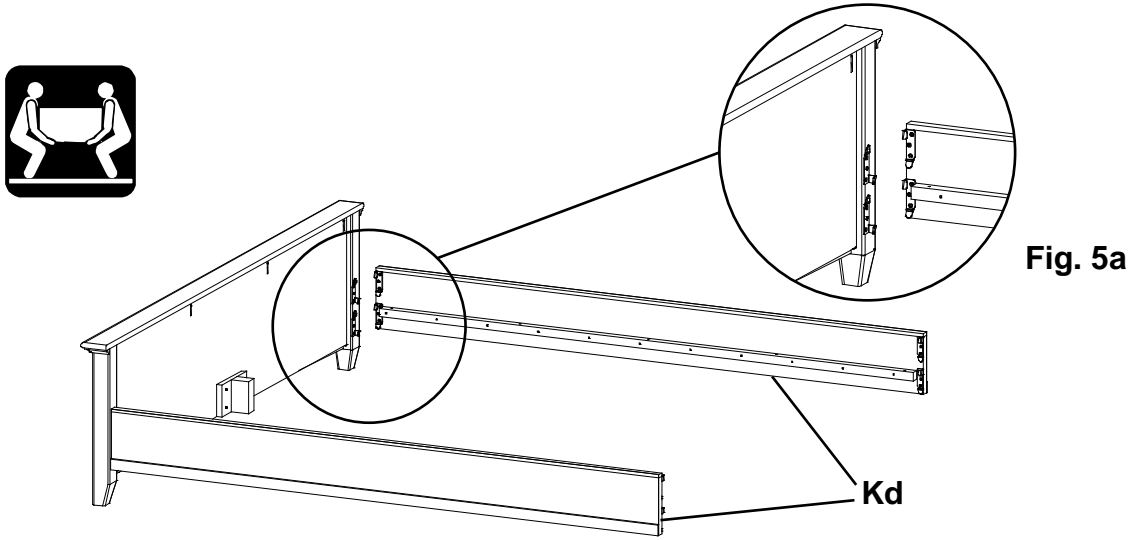
**Fig. 4a**

**2346GACd 2346CAFd McKenzie Queen Mantel Bed  
2349GACd 2349CAFd McKenzie King Mantel Bed**

*Assembly Instructions*

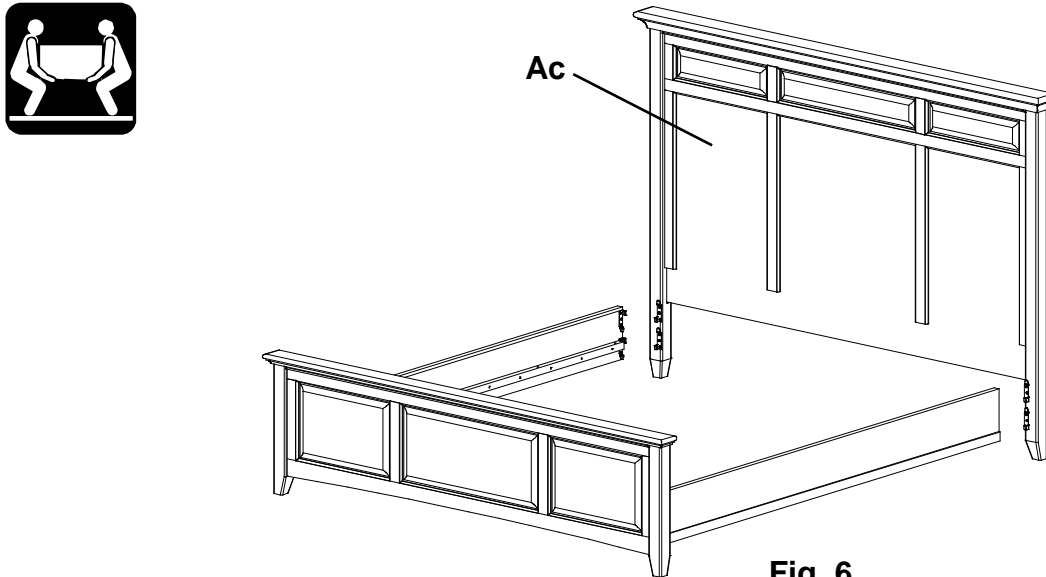
This assembly requires two people.

5. Repeat step four for the other side. See Figures 5 and 5a.



**Fig. 5**

6. Align the Brackets on both sides and slide the Side Rail/Footboard assembly down on to the Headboard (Ac). See Figure 6.



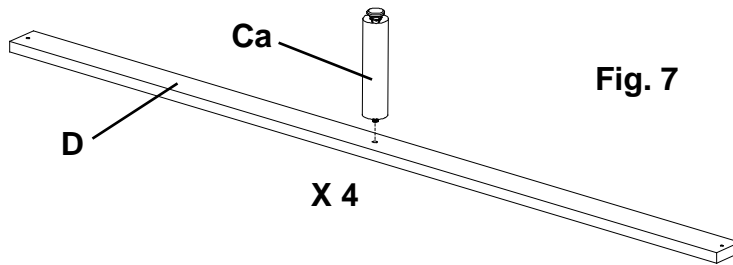
**Fig. 6**

**2346GACd 2346CAFd McKenzie Queen Mantel Bed**  
**2349GACd 2349CAFd McKenzie King Mantel Bed**

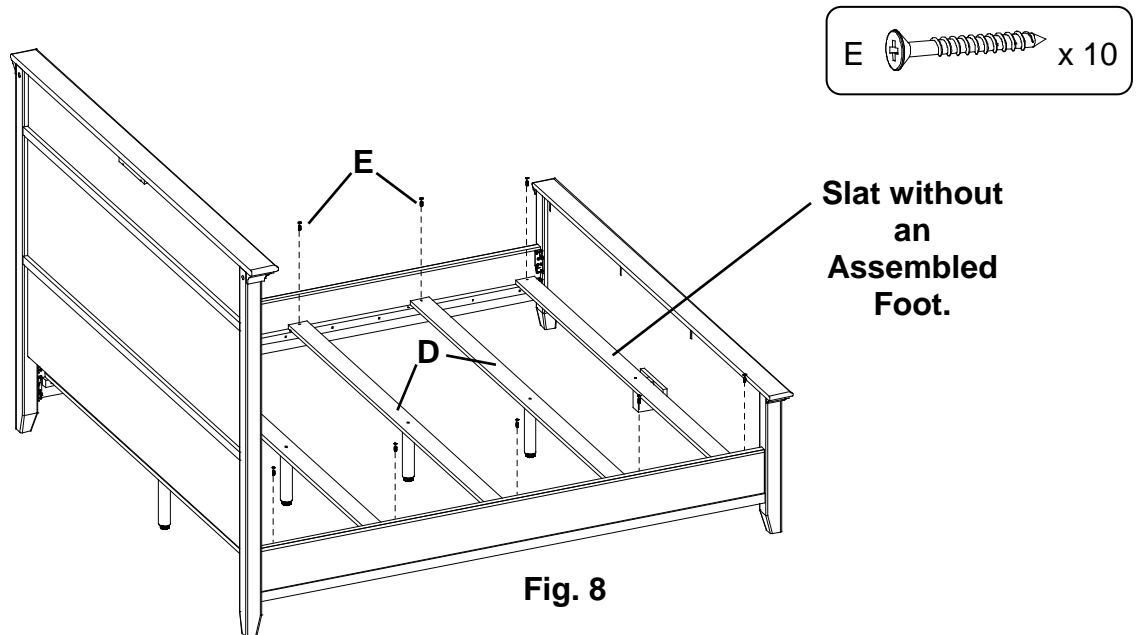
*Assembly Instructions*

This assembly requires two people.

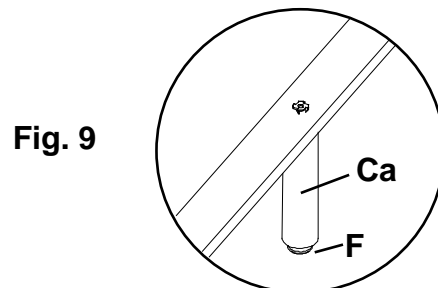
7. Attach an Assembled Foot (Ca) to four of the five Slats (D) as shown in Figure 7.



8. Move the bed assembly to its final position. Position the Slats (D) on the bottom edges of the rails and place the slat without the Assembled Foot nearest to the Footboard. Attach with #8 x 1-1/4" Black Screws (E). See Figure 8.



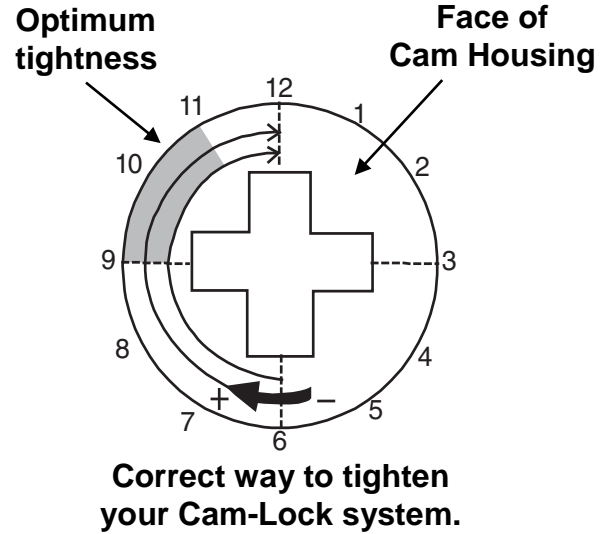
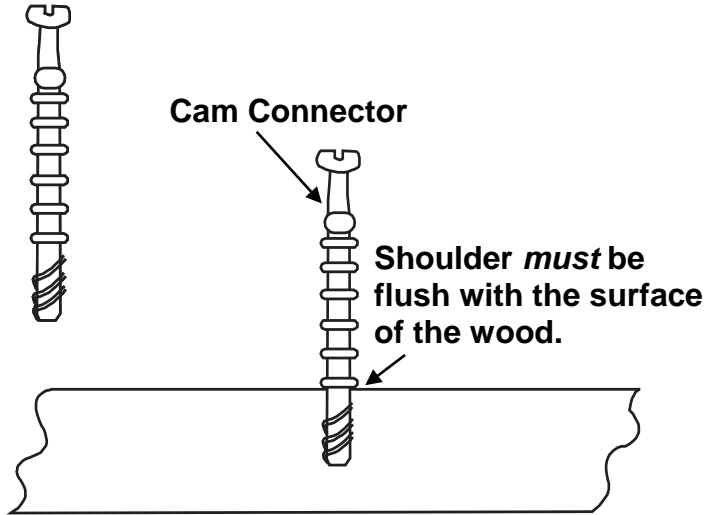
9. Adjust the Adjustable Glides with Hex Nut (F) on the Assembled Feet (Ca) so the Glides just touch the floor, making sure the Assembled Feet bear weight.





# CAM - LOCK SYSTEM INSTRUCTIONS

**NOTE: To avoid scratching the surface of the wood, assemble the unit and place facedown on a clean, protected surface.**



1. Insert the Cam Housing so the arrow faces the Cam Connector. To achieve tension and holding power, you **MUST TURN** the Cam Housing clockwise at **LEAST 1/4 turn** to the 9:00 position. Turning the Cam Housing between 1/4 and 1/2 turn should be enough to ensure rigid tension. Tension should be initiated as soon as 10:00. You should receive optimum tightness at 11:00. IF this does not occur, tighten or loosen the Cam Connector to achieve proper tension.

2. **You may need extra tension if:**
  - A. The Cam Connector was screwed in deeper than or not as deep as it should.
  - B. If the furniture is repeatedly assembled and disassembled.
  - C. If you place a heavy load in the unit.

**To achieve extra tension, tighten the Cam Connector between the 11:00 and 12:00 positions.**

