

McKenzie Petite Storage Beds

GAC = Glazed Antique Cherry finish

CAF = Caffè finish

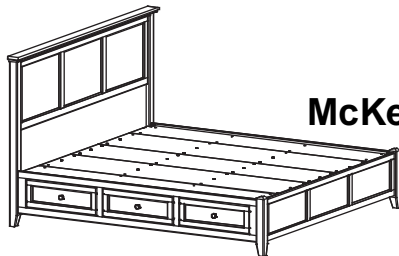
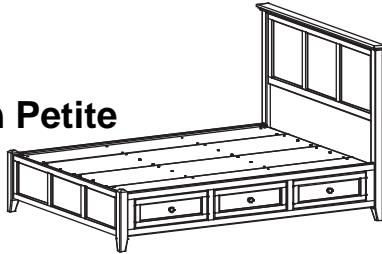
Assembly Instructions

Model #

2376GAC

2376CAF

**McKenzie Queen Petite
Storage Bed**



2386GAC

2386CAF

**McKenzie King Petite
Storage Bed**

Thank you for allowing us to help you furnish your home. We are certain you will be delighted with your new furniture for many years to come.

IMPORTANT NOTES:

- For normal household use only. *Not* recommended for commercial use.
- Unload items before you move this unit.
- This assembly requires two people.

WARNING

Drilling, sawing, sanding or machining wood products can expose you to wood dust, a substance known to the state of California to cause cancer. Avoid inhaling wood dust or use a dust mask or other safeguards for personal protection.

For more information go to: www.p65warnings.ca.gov/wood

This product can expose you to chemicals, including formaldehyde, which are known to the State of California to cause cancer.

For more information go to: www.p65warnings.ca.gov/furniture

DESIGN SUBJECT TO CHANGE WITHOUT NOTICE.

CUSTOMER SERVICE

If you ever have questions about your furniture, please do not hesitate to contact us. In the unlikely event you need a replacement part; we can make those parts available through an authorized Whittier Wood Furniture dealer. If you cannot order replacement parts through your dealer, please contact our customer service department.

Hours: Our friendly customer service staff can be reached:

Monday-Friday 8:00 a.m. to 5:00 p.m. (Pacific Time).

You may leave a message 24 hours a day, seven days a week.

Customer Service: 800-653-3336 • **Outside the U.S.:** 541-687-0213

Fax: 541-687-2060 • **Email:** info@whittierwood.com

**Whittier
Wood**
FURNITURE

P.O. Box 2827
Eugene, OR 97402 USA

Production Code:

VN

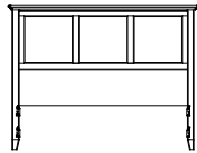

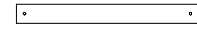







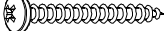



04/17

2376GAC 2376CAF McKenzie Queen Petite Storage Bed
2386GAC 2386CAF McKenzie King Petite Storage Bed
Parts List

Please note this Assembly Instruction is for either the McKenzie Queen Petite Storage Bed (2376) or the McKenzie King Petite Storage Bed (2386).
 The Parts list for each headboard follows on pages 2 and 3.

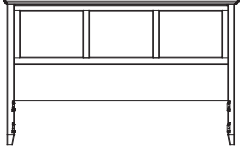
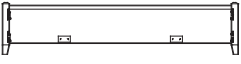





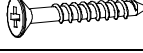



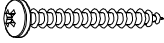


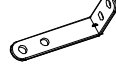
Please identify the parts and check that quantities received match those on this list.
 If you need to replace a part, refer to the following letter and part name.

2379GAC 2379CAF
Queen Petite Headboard/Footboard Kit (x1)

Part	Description		Quantity
A	Headboard Assembly		1
B	Footboard Assembly		1
C	Queen Trestle With T-Nuts (24-3/8")		4
N	#6 x 1/2" Philtruss Screw		8
P	#8 x 1-1/4" Black Screw		16
Q	#8 x 1-5/8" Black Screw (inserted)		4
S	#8 x 1" Black Screw (inserted)		24
V	1/4" T-Nut (inserted)		8
X	Left Bed Bracket (attached)		4
Y	Right Bed Bracket (attached)		4
ZC	#8 x 1-1/4" Pan Head Screw (inserted)		4
ZD	1/4" Flat Washer		20
ZE	1/4" x 1-1/2" Hex Bolt		20
ZF	90° Bracket		2

2376GAC 2376CAF McKenzie Queen Petite Storage Bed
2386GAC 2386CAF McKenzie King Petite Storage Bed
Parts List

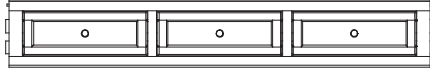








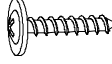
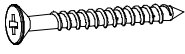


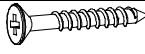








2389GAC 2389CAF
King Petite Headboard/Footboard Kit (x1)

Part	Description		Quantity
A	Headboard Assembly		1
B	Footboard Assembly		1
D	King Trestle With T-Nuts (40-1/2")		4
E	Center Deckboard		1
N	#6 x 1/2" Philtruss Screw		8
P	#8 x 1-1/4" Black Screw		28
Q	#8 x 1-5/8" Black Screw (inserted)		4
S	#8 x 1" Black Screw (inserted)		24
V	1/4" T-Nut (inserted)		8
X	Left Bed Bracket (attached)		4
Y	Right Bed Bracket (attached)		4
ZC	#8 x 1-1/4" Pan Head Screw (inserted)		4
ZD	1/4" Flat Washer		20
ZE	1/4" x 1-1/2" Hex Bolt		20
ZF	90° Bracket		2

**2376GAC 2376CAF McKenzie Queen Petite Storage Bed
2386GAC 2386CAF McKenzie King Petite Storage Bed**

Parts List

**2378GAC 2378CAF
Queen/King Pedestal Kit (x2)**

Part	Description	Quantity
F	Pedestal 	1
G	Drawer Box (assembled) 	3
H	Drawer Face (attached) 	3
I	Notched Deckboard (attached) 	1
J	Left/Right Center Deckboard 	1
K	Assembled Foot 	3
L	20" Drawer Slides (installed) 	3 sets
M	#6 x 3/4" Philtruss Screw (inserted) 	18
N	#6 x 1/2" Philtruss Screw (inserted) 	18
O	#8 x 7/8" Black Lo-Profile Screw (inserted) 	18
P	#8 x 1-1/4" Black Screw (inserted) 	8
Q	#8 x 1-5/8" Black Screw (inserted) 	16
R	#8 x 2" Black Screw (inserted) 	12
S	#8 x 1" Black Screw (inserted) 	32
T	#8 x 1-1/2" Machine Screw Tuscan (installed) 	3
U	#10 x 3/4" Pan Head Screw (inserted) 	12
V	1/4" T-Nut (inserted) 	6
W	Knob (attached) 	3
X	Left Bed Bracket (attached) 	2
Y	Right Bed Bracket (attached) 	2
ZA	Foot Bracket (attached) 	3
ZB	Adjustable Glide (installed) 	3

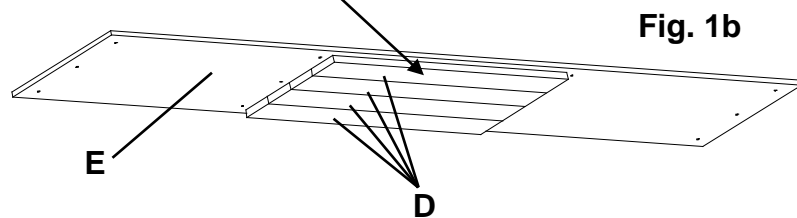
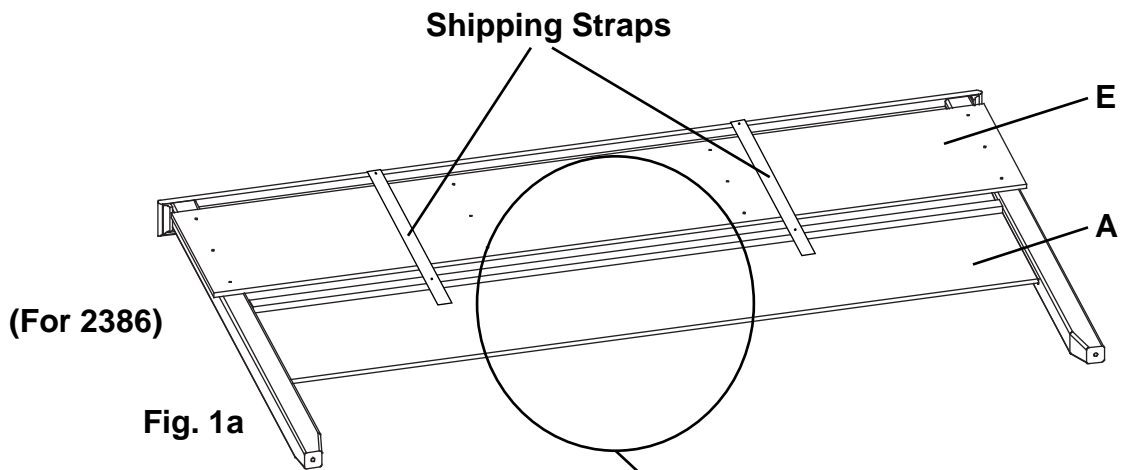
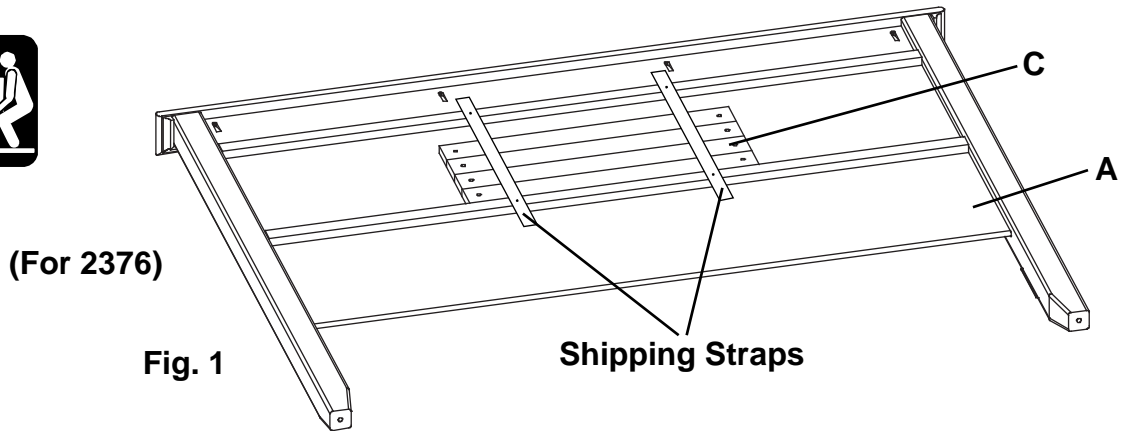
2376GAC 2376CAF McKenzie Queen Petite Storage Bed
2386GAC 2386CAF McKenzie King Petite Storage Bed

Assembly Instructions

This assembly requires two people.

Tools Required: Phillips screwdriver, 7/16" open end or box end wrench and Tape measure

1. Remove the Queen Trestles (C) from the back of the Headboard (A) and place to the side for #2376 Queen Bed, or remove the Center Deckboard (E) and King Trestles (D) from the back of the Headboard (A) and place to the side for #2386 King Bed. See Figures 1, or 1a and 1b.



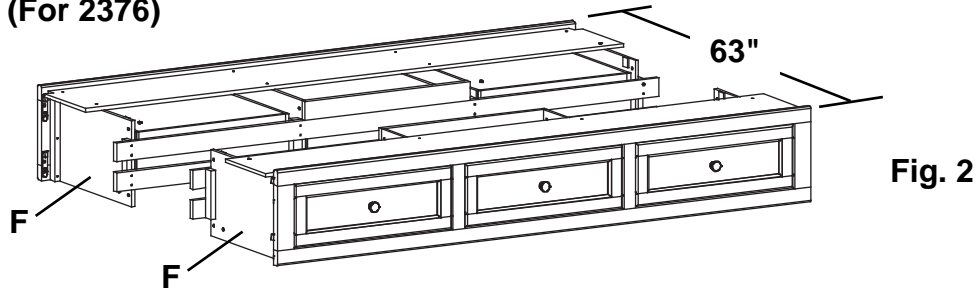
2376GAC 2376CAF McKenzie Queen Petite Storage Bed 2386GAC 2386CAF McKenzie King Petite Storage Bed

Assembly Instructions

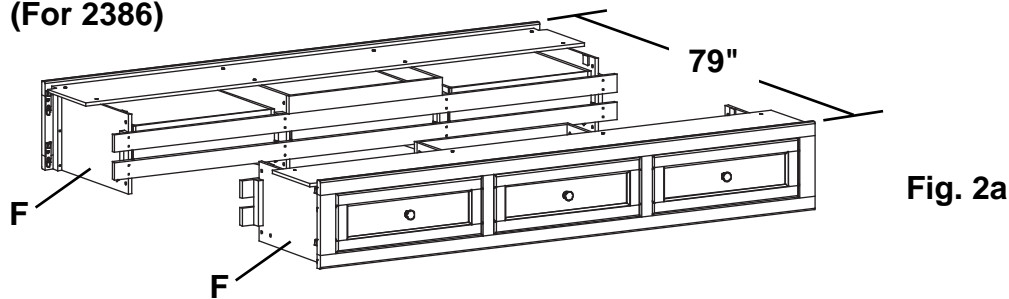
This assembly requires two people.

- Place both Pedestals (F) approximately 63" apart for #2376 Queen Bed, or 79" apart for #2386 King Bed as shown in Figures 2 and 2a.

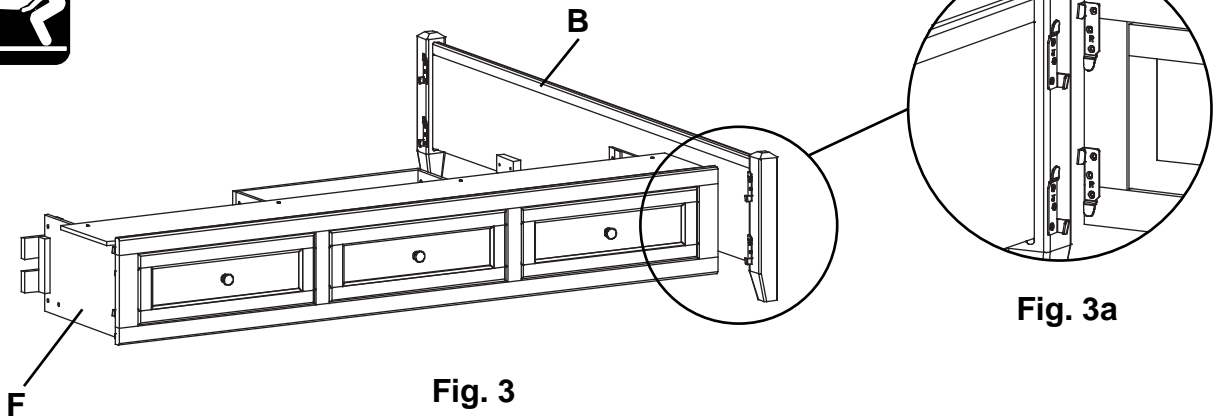
(For 2376)



(For 2386)



- To attach the Footboard (B) to the Pedestal (F), align the Brackets and slide the Pedestal down on to the Footboard (B). See Figures 3 and 3a.



2376GAC 2376CAF McKenzie Queen Petite Storage Bed
2386GAC 2386CAF McKenzie King Petite Storage Bed

Assembly Instructions

This assembly requires two people.

4. Repeat step three for the left side. See Figures 4 and 4a.

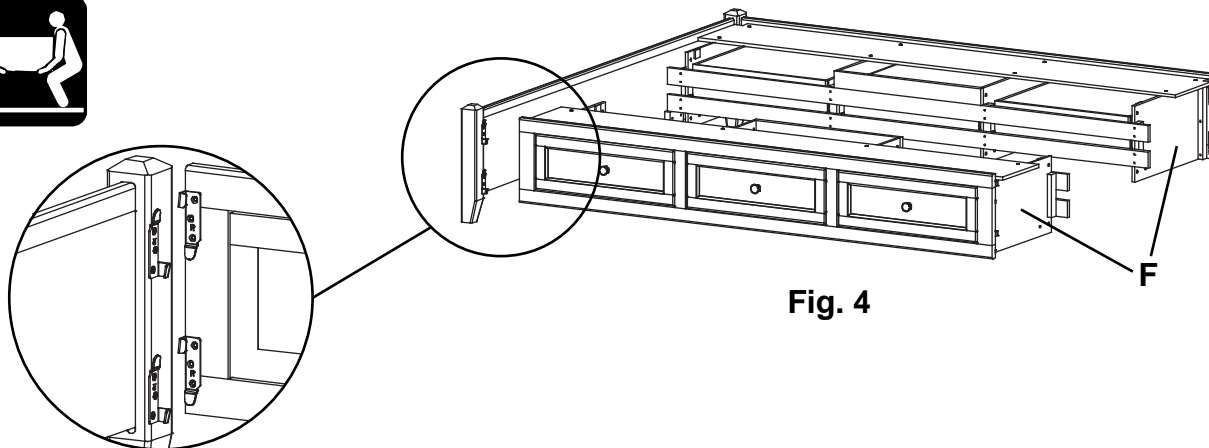


Fig. 4

Fig. 4a

5. Align the Brackets on both sides and slide the Pedestal/Footboard assembly down on to the Headboard (A). See Figure 5.

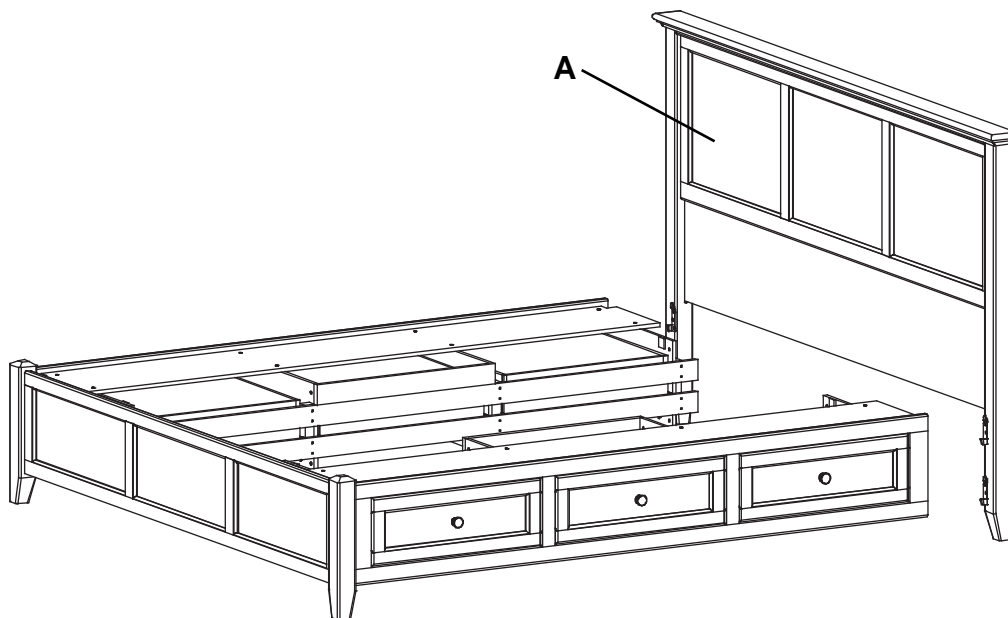


Fig. 5

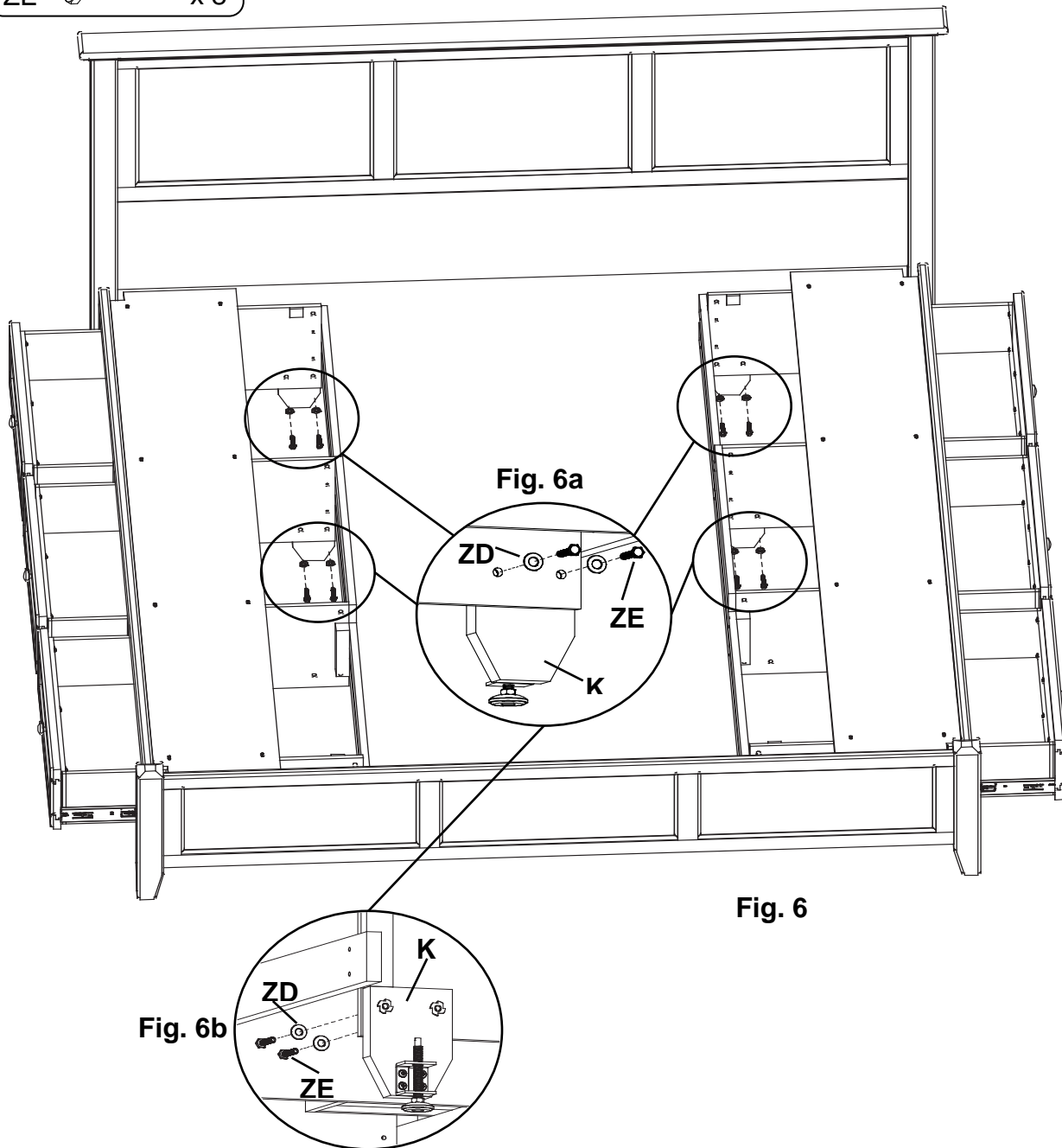
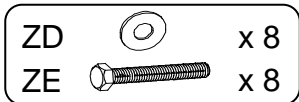
2376GAC 2376CAF McKenzie Queen Petite Storage Bed
2386GAC 2386CAF McKenzie King Petite Storage Bed

Assembly Instructions

This assembly requires two people.

6. Facing the Headboard open the drawers slightly as shown in figure 6. Attach an Assembled Foot (K) to the bottom corner of the the two braces closest to the Headboard on each pedestal using two 1/4" x 1-1/2" Hex Bolts (ZE) and Washers (ZD) and tighten. See Figures 6, 6a, and 6b.

IMPORTANT: Make sure the Glides touch the floor and carry weight.



2376GAC 2376CAF McKenzie Queen Petite Storage Bed
2386GAC 2386CAF McKenzie King Petite Storage Bed

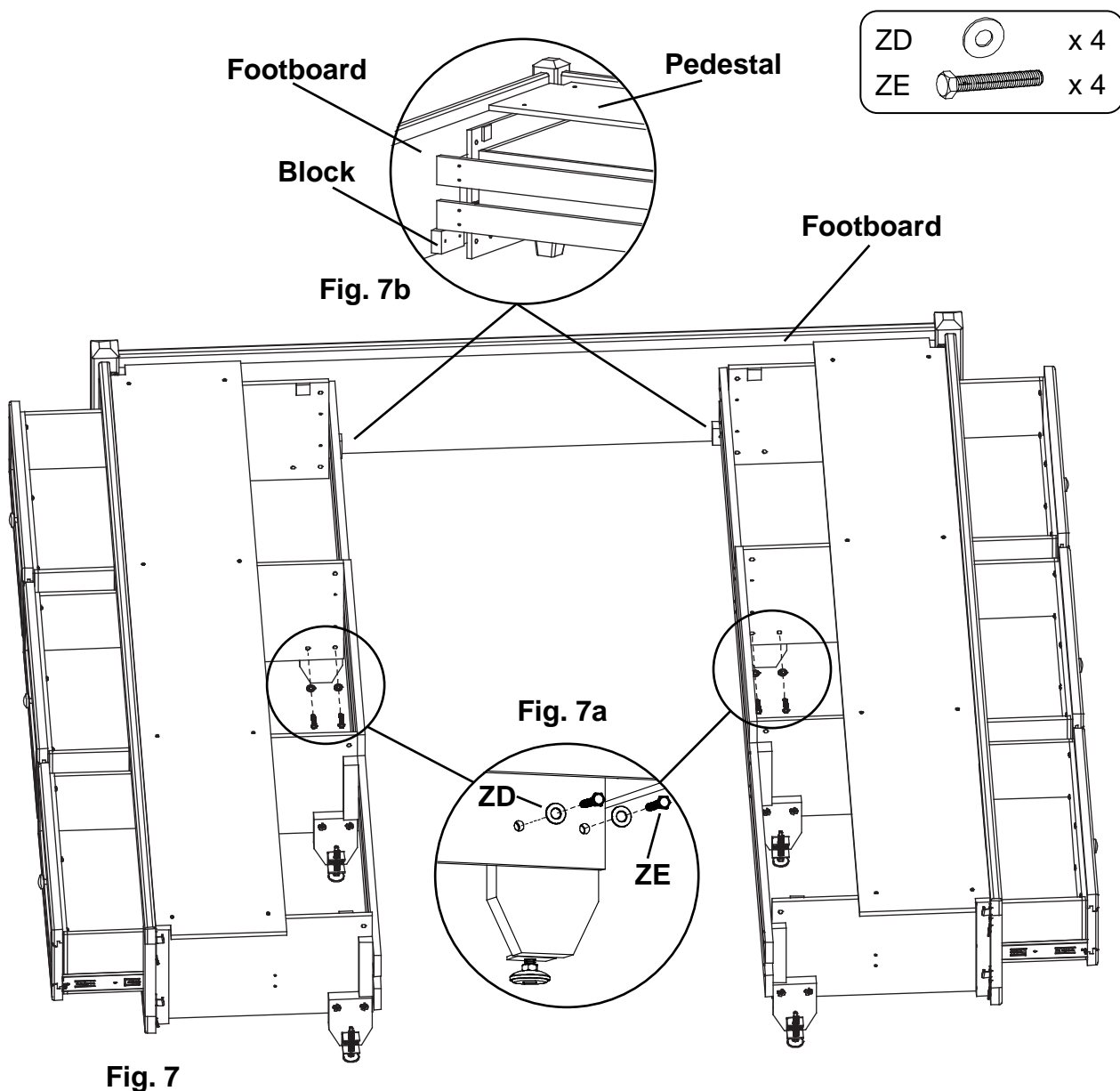
Assembly Instructions

This assembly requires two people.

7. **NOTE:** There are blocks mounted on the back side of the Footboard to support the end of the pedestal eliminating the need for an Assembled Foot in this position where it would be easily visible. Do not attach and Assembled Foot in the position near the Footboard. See Figure 7b.

Attach an Assembled Foot (K) to the bottom corner of the the second brace from the Footboard on each pedestal using two 1/4" x 1-1/2" Hex Bolts (ZE) and Washers (ZD) and tighten. See Figures 7,7a and 7b.

IMPORTANT: Make sure the Glides touch the floor and carry weight.



Headboard removed for illustration purposes.

2376GAC 2376CAF McKenzie Queen Petite Storage Bed 2386GAC 2386CAF McKenzie King Petite Storage Bed

Assembly Instructions

This assembly requires two people.

8. Open the drawers. Face the Footboard and stand in between the first and second braces. Place a Trestle with T-Nuts (C or D) on the outside surfaces of the first upper left and right braces so that the T-Nuts (V) sit near the top. See Figure 8a. Line up the upper edges of the trestle and braces so they are nearly flush. Insert two 1/4" x 1-1/2" Hex Bolts (ZE) and Washers (ZD) and tighten. Repeat for the second upper brace. See Figures 8 and 8a.

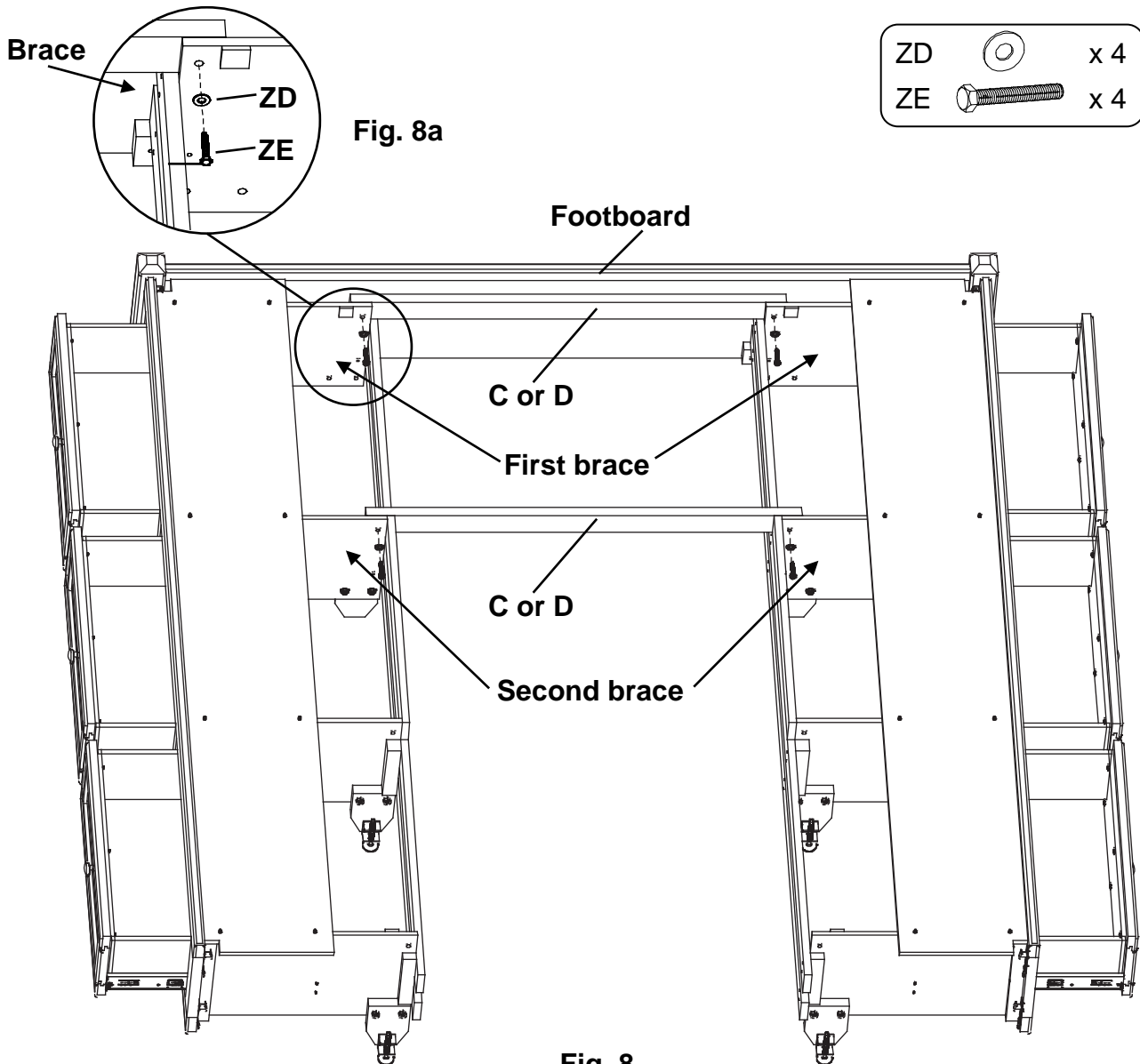




Fig. 8
Headboard removed for illustration purposes.

2376GAC 2376CAF McKenzie Queen Petite Storage Bed
2386GAC 2386CAF McKenzie King Petite Storage Bed

Assembly Instructions

This assembly requires two people.

9. Face the Headboard and stand in between the third and fourth braces. Place a Trestle with T-Nuts (C/D) on the outside surfaces of the third **upper** left and right braces so the T-nuts sit near the top. See Figures 9 and 9a. Line up the upper edges of the trestle and braces so they are nearly flush. Insert two 1/4" x 1-1/2" Hex Bolts (ZE) and Washers (ZD) and tighten. Repeat for the fourth braces.

ZD		x 4
ZE		x 4

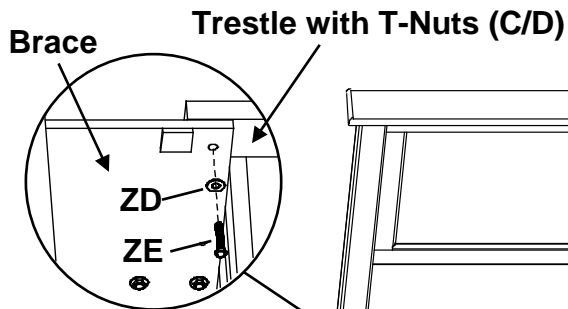


Fig. 9a

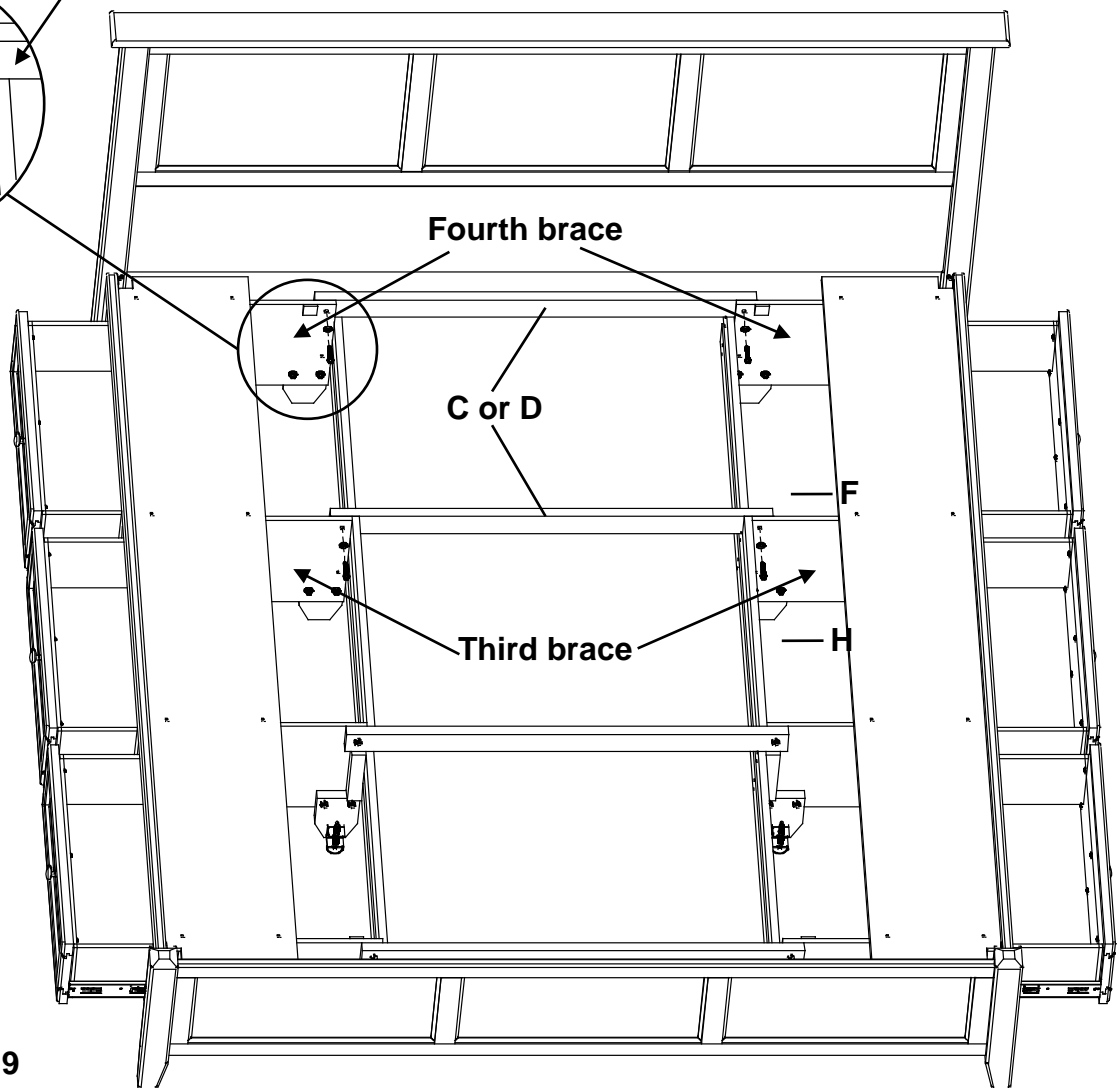


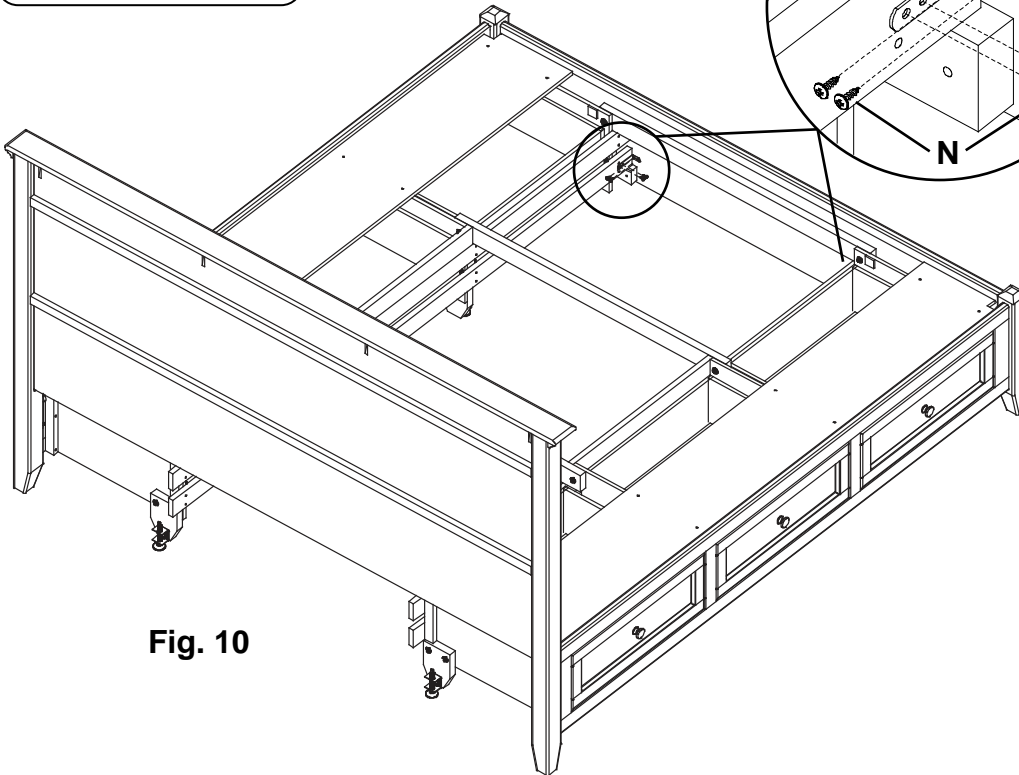
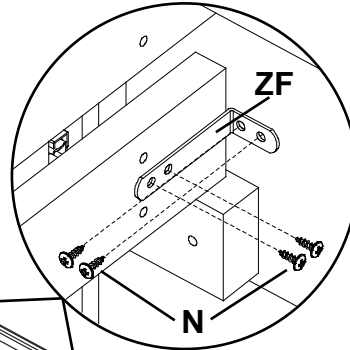
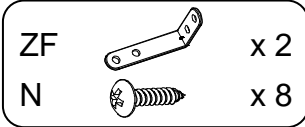
Fig. 9

2376GAC 2376CAF McKenzie Queen Petite Storage Bed
2386GAC 2386CAF McKenzie King Petite Storage Bed

Assembly Instructions

This assembly requires two people.

10. Facing the Footboard, attach the Pedestal Assembly to the Footboard with a 90° Bracket (ZF) and four #6 x 1/2" Philtruss Screws (N). Repeat for the other side. See Figures 10 and 10a.

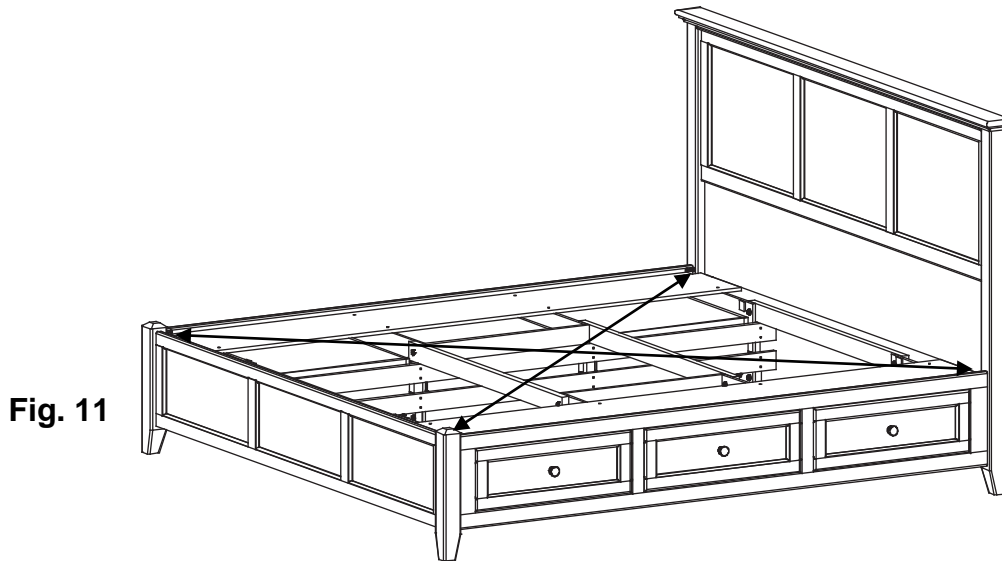


2376GAC 2376CAF McKenzie Queen Petite Storage Bed
2386GAC 2386CAF McKenzie King Petite Storage Bed

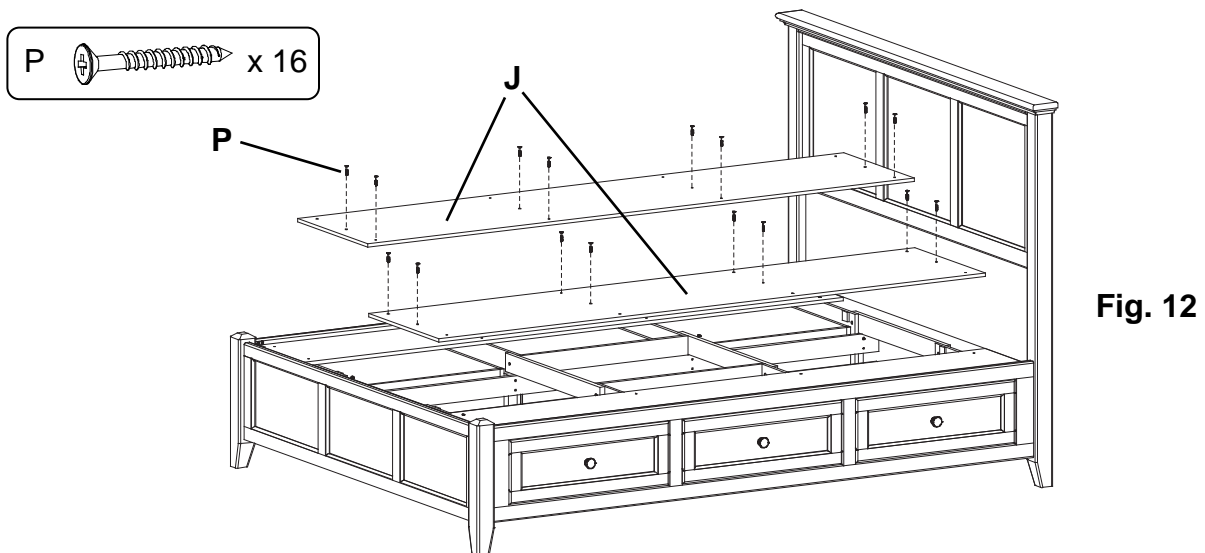
Assembly Instructions

This assembly requires two people.

11. To make sure the bed is square, measure the distance between opposing corners. If one of the measurements is larger, tap on a footboard leg until the measurement is equal. See Figure 11.



12. Place the Left/Right Center Deckboards (J) as shown in Figure 12 and secure with eight #8x1-1/4" Black Screws (P). There should be a small gap between each deckboard.



Step 13 is for the McKenzie King Petite Storage Bed (#2386)

2376GAC 2376CAF McKenzie Queen Petite Storage Bed
2386GAC 2386CAF McKenzie King Petite Storage Bed

Assembly Instructions

This assembly requires two people.

13. Place the Center Deckboard (E) as shown in Figure 13 and secure with twelve #8 x 1-1/4" Black Screws (P). If you need to adjust the center feet, remove the Center Deckboard, adjust the glides and reattach the deckboard.

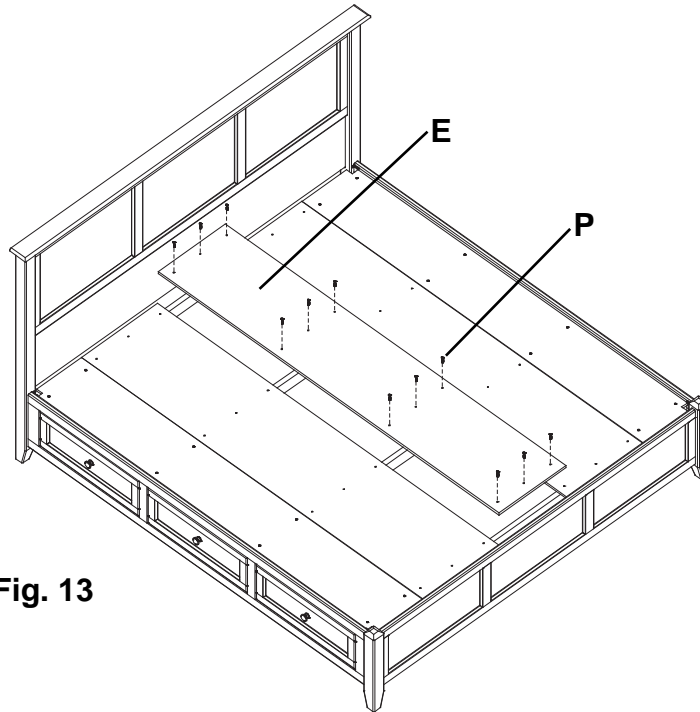
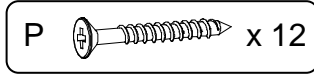


Fig. 13