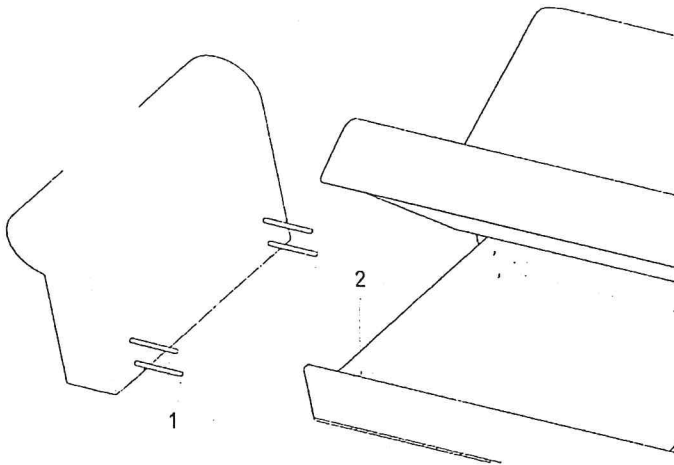
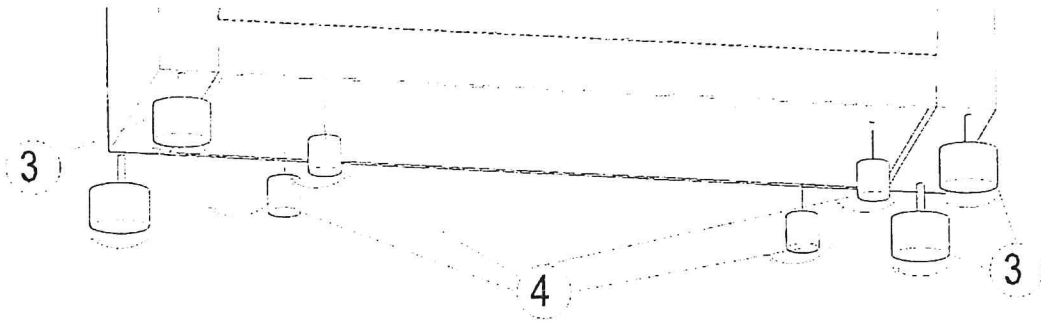


ASSEMBLY INSTRUCTION



A) Assembly of arm and base

- 1) Please assemble the connection parts (1) mutually.
- 2) Please pass them through into base holes.
- 3) Please assemble wing nuts (2) to connection parts (1).



B) Assembly of legs and sofa

- 1) Please turn the legs (3) clockwise until it has been completely screwed.
- 2) Please put middle legs (4) into their spots and turn them clockwise.

