

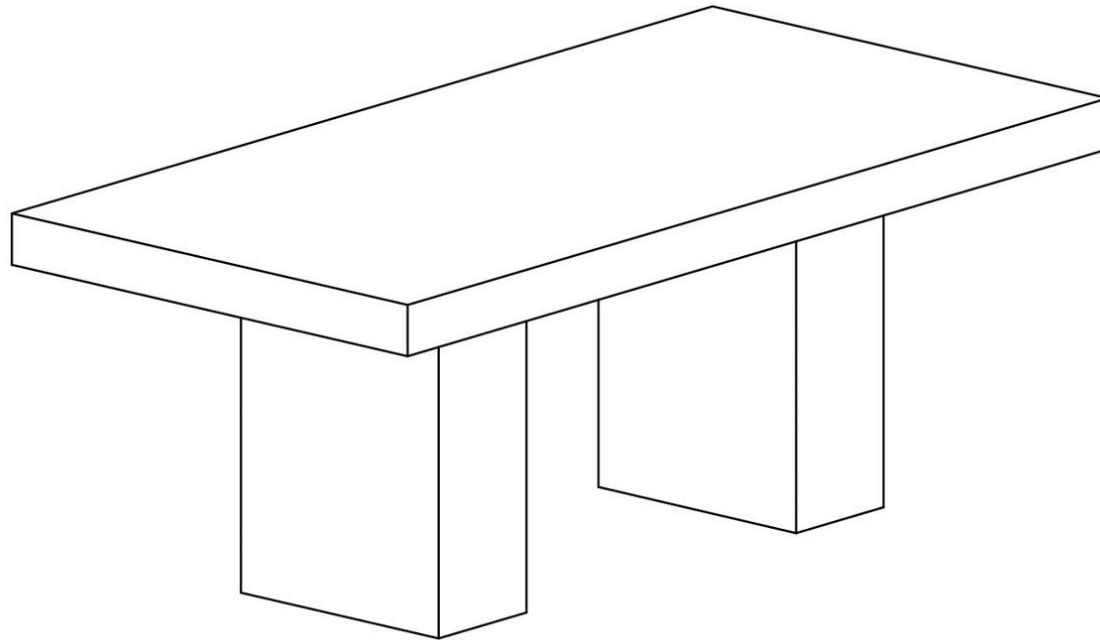
MOE'S

home collection

ASSEMBLY INSTRUCTIONS.

AURELIUS 2 OUTDOOR DINING TABLE BLACK



BQ-1021-02



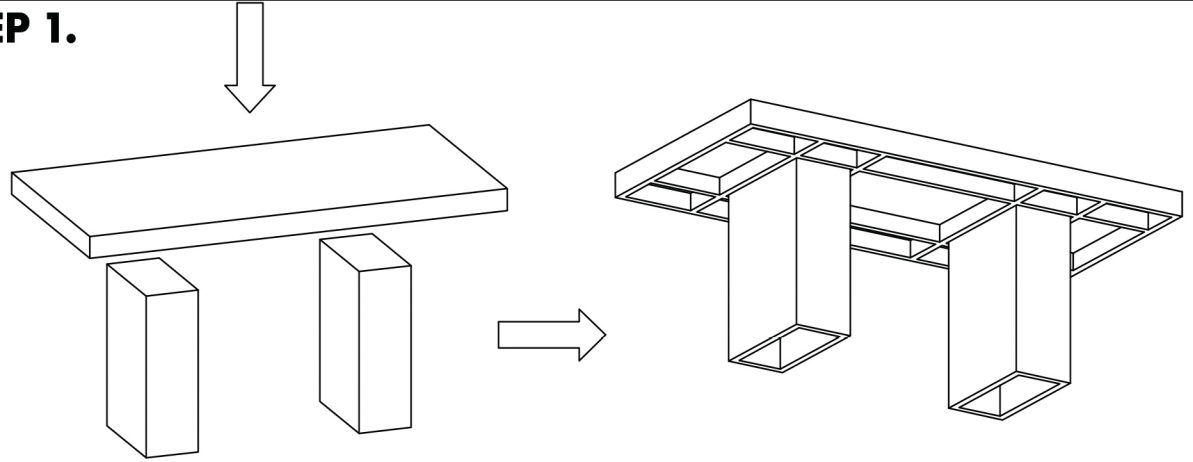
THANK YOU FOR YOUR PURCHASE!

PARTS AND HARDWARE

PARTS LIST

No.	DESCRIPTION	IMAGE	Q'TY
P1	CONCRETE TOP		01
P2	CONCRETE BASE		02

STEP 1.

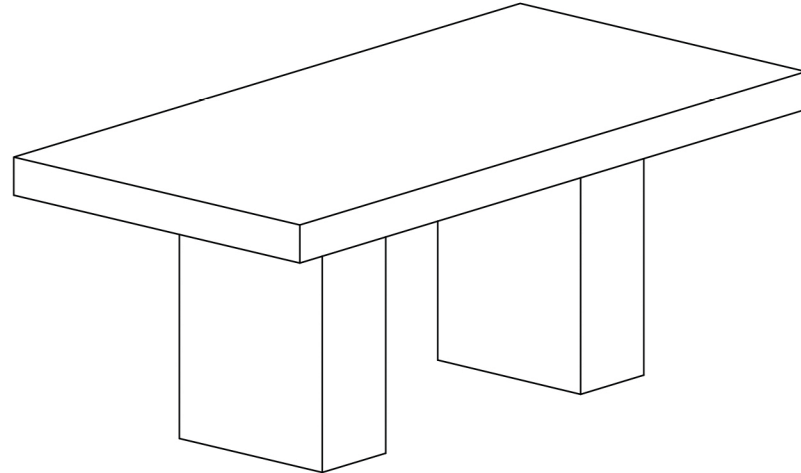


Note: Please arrange 2 legs in same location with top before assembly

STEP 2.

Care instruction:

- This table should be set up at the place which it will be stay
- For moving, please separate Top and set up at new place



NOTES.

Thank you for purchasing this quality product! Be sure to check all packing material carefully for small part that may have come loose inside the carton during shipping.

CAUTION: The item is heavy, assembly should be performed by two people.