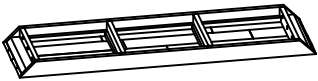





# BT-1003-37 Dining/ Occasional Bench To Suit Dining Table BT-1002-37

Thank you for purchasing this quality product. Be sure to check all packing material carefully for small parts that may have come loose inside the carton during shipment.

<b>A. TABLE TOP x 1</b> 	<b>B. LEGS x 2</b> 	<b>C. BOLT M8-50 x 6</b> 	<b>D. WASHER M8-19 x 6</b> 
<b>E. 13mm HEX WRENCH x 1</b> 