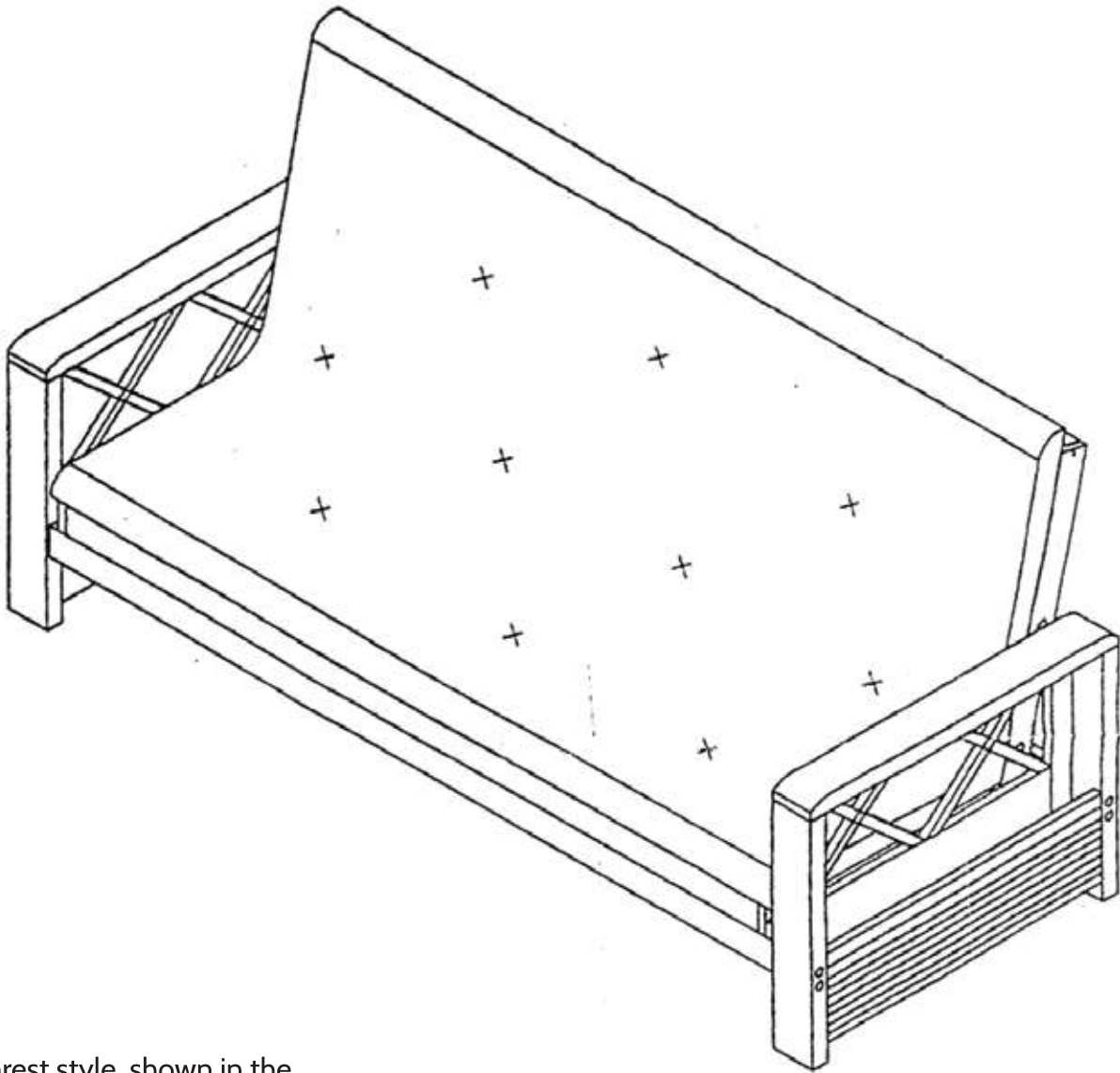


# WOOD DECK FUTON FURNITURE ASSEMBLY GUIDE



*Thank you for purchasing our futon!*



The armrest style, shown in the instruction manual, is a generic universal arm and may not match your futon. Nevertheless, assembly is the same.

# IMPORTANT PLEASE READ THESE FIRST

The armrest style, shown in the instruction manual, is a generic universal arm and may not match your futon. Nevertheless, assembly is the same.

- Assembly should be by adults.
- To facilitate the assembly process, have someone help you (2 people recommended).
- Provide a large working area to assemble the futon unit, preferably the room where you plan to place it.
- Remove all furniture pieces, assembly parts, and packing materials from its packaging including mattress if a mattress was purchased.
- To protect uncarpeted floors, use opened carton material to assemble futon.
- Check to see all listed parts on the drawing are included in your box.
- We recommend using wax or a bar of soap to lubricate grooves in arms for the first assembly.
- When assembly is completed, discard all futon and / or mattress packing and wrapping materials immediately to avoid harm to young children.
- If your futon comes with a mattress, do not expose the mattress to any heat sources.
- This product is designed for home and not commercial use.
- Please do not use power tools. Power tools may strip or damage the parts.
- Most sub-assemblies have been joined for you already.

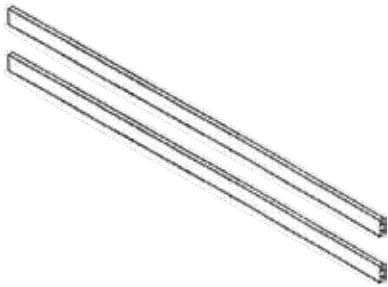


Estimated assembly time 30 to 45 minutes with 2 people.

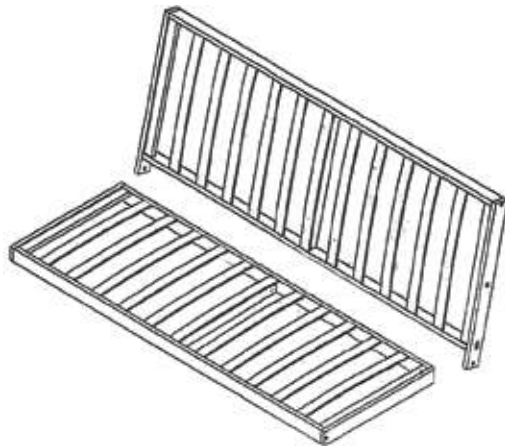
# PARTS, HARDWARE AND TOOLS

Check to see all listed parts on the drawing are included in your box.

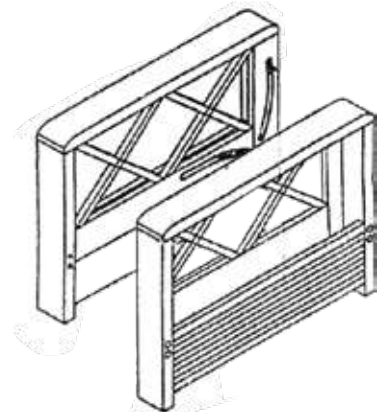
## PARTS



(2) Stretcher Bars



(2) Frame Sections / Back & Seat

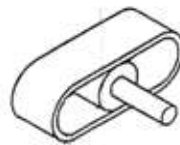


(2) Arms / Right & Left

## HARDWARE



(8) Barrel Bolts



(4) Dowel Runners



(2) Connecting Pins



(1) Allen Wrench



(8) Barrel Nuts

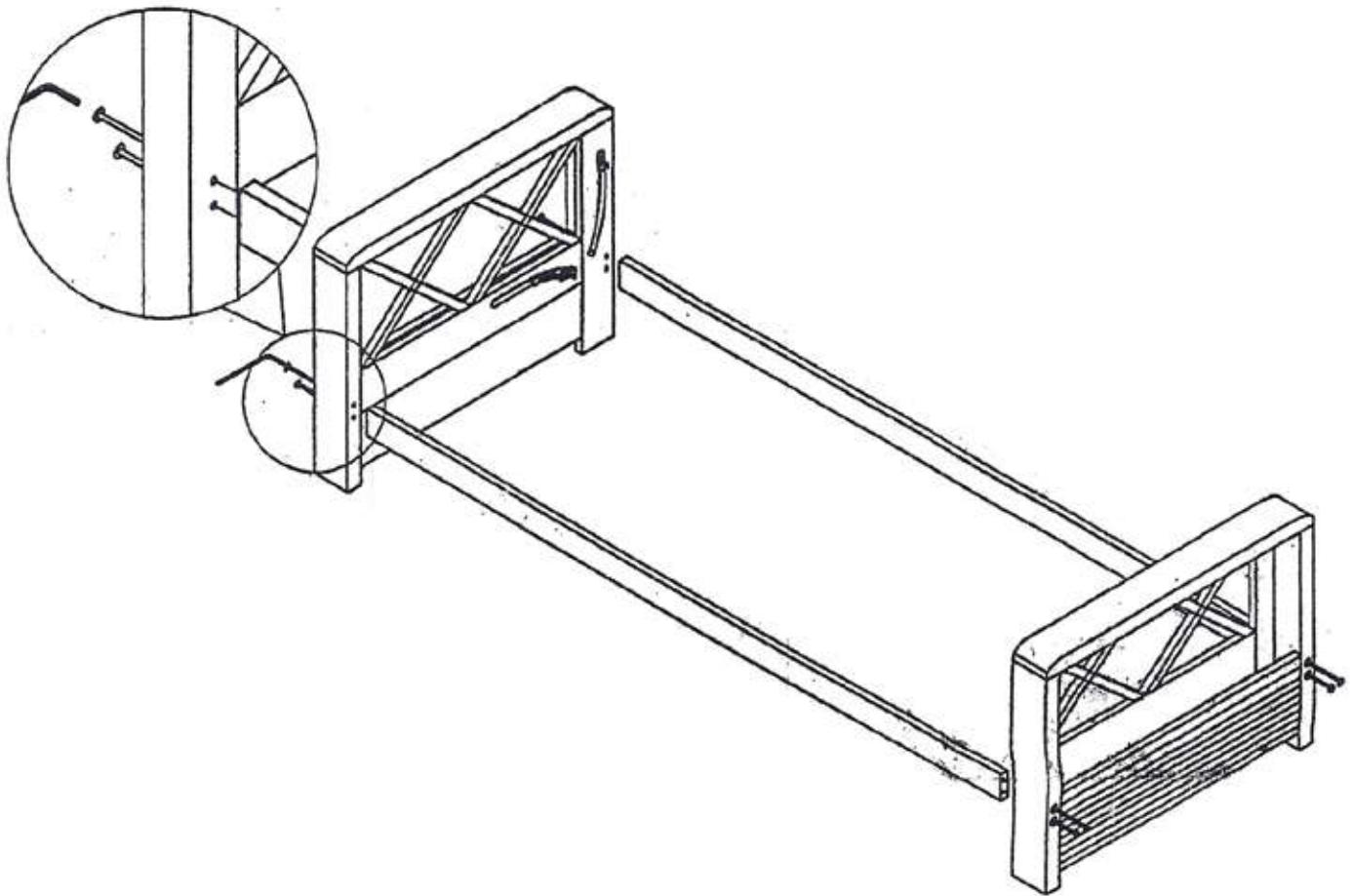


Tools needed: Flathead Screwdriver

*You are now ready to assemble your futon.*

# STEP 1

## ATTACH STRETCHERS TO FUTON ARMS



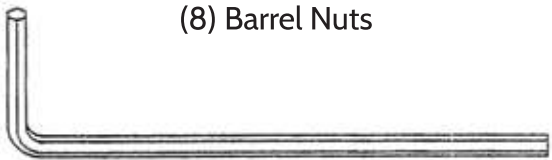
For this step you need:



(8) Barrel Bolts



(8) Barrel Nuts

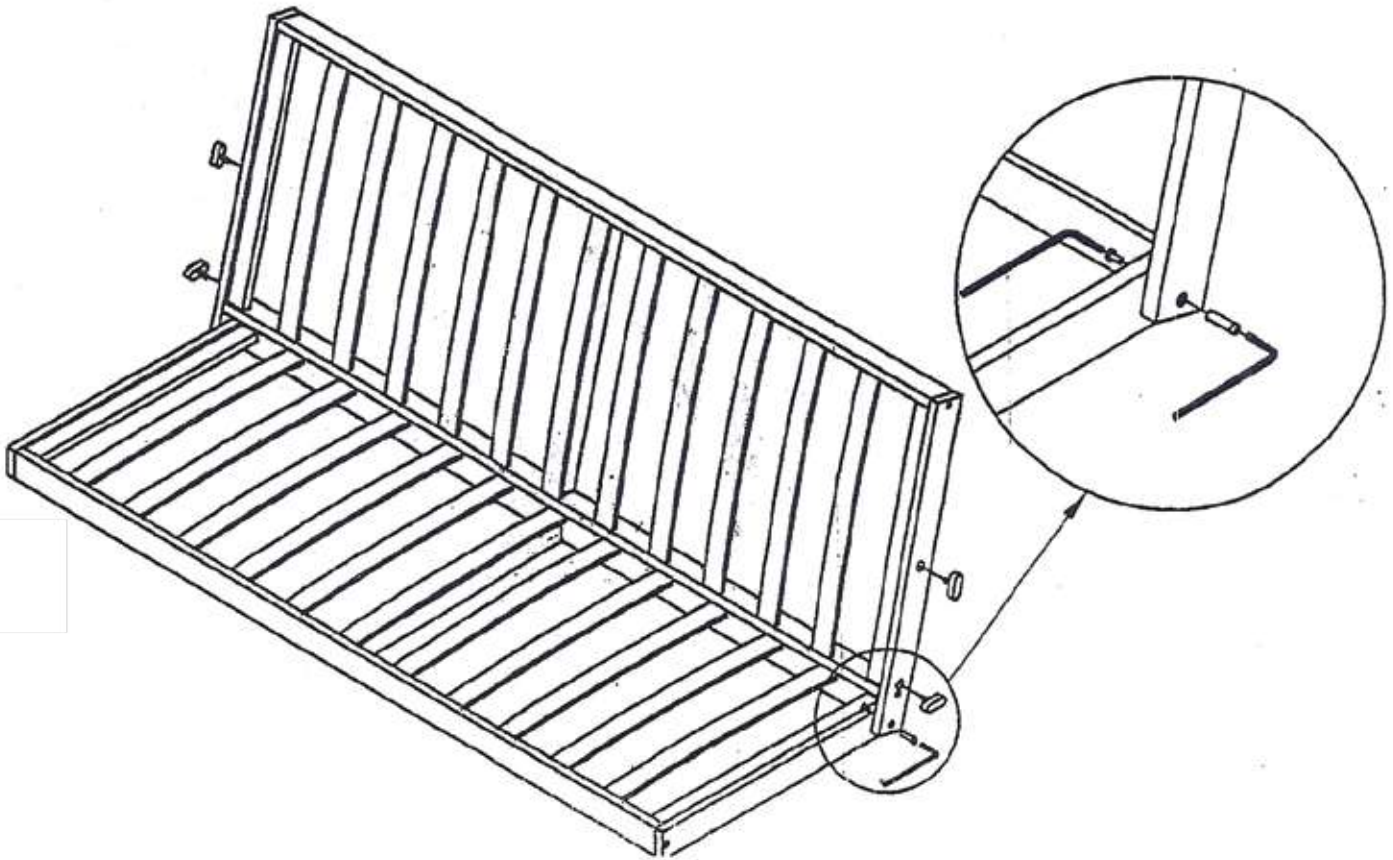


(1) Allen Wrench

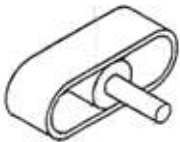
1. Lay the two stretcher rails in between the two armrests for spacing purposes.
2. Attach the two stretchers to the armrests as shown in the diagram.
3. Be sure that the barrel nut holes on the face of both stretchers are toward the inside, facing each other.
4. Insert the barrel nuts into the holes. The slots on the barrel nuts should be positioned horizontally for a flat-head screwdriver.
5. Insert the bolts through the holes in each armrest. Hold the barrel nuts with a screwdriver and tighten the bolts only half way manually. Do not tighten all the way until you get to STEP THREE .

## STEP 2

# ATTACH BACK FRAME TO SEAT FRAME



For this step you need:



(4) Dowel Runners



(2) Connecting Pins



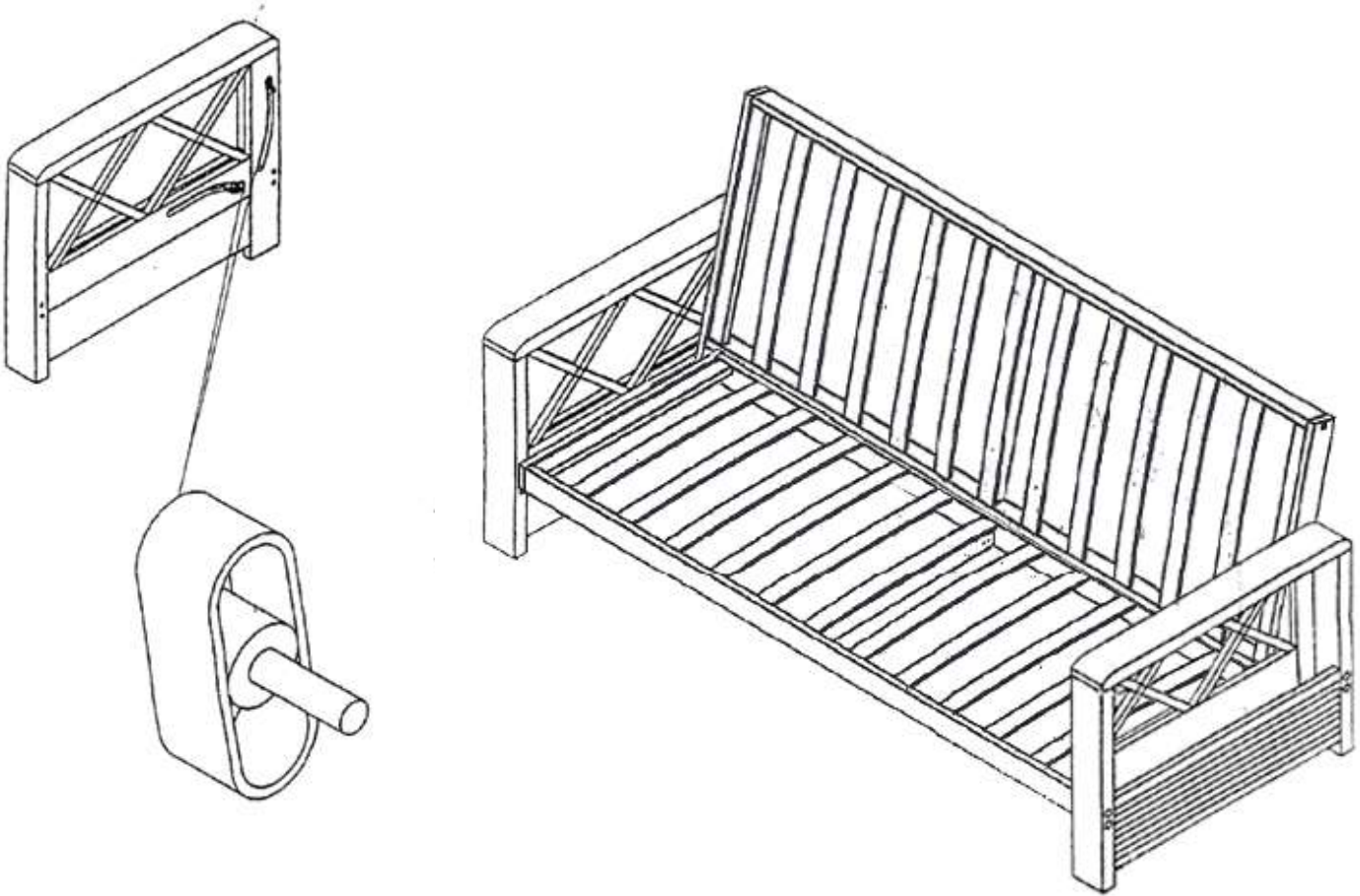
(1) Allen Wrench

1. Bolt the back frame to the seat frame using the two connecting pins. The flat side of back frame should face forward.
2. Insert dowel runners into the two holes on both sides to the back frame.



## STEP 3

# ATTACH WOOD DECK ASSEMBLY TO FUTON



1. Place Assembly #2 (wood deck) on top of the stretchers and between arms of Assembly #1.
2. Maneuver the dowel runners into the grooves on the armrests of Assembly #1 as shown.
3. Now tighten the armrest's frame bolts, which were left loose in STEP ONE, all the way in with the Allen wrench. **Do not use power tools.**

## STEP 4

# PLACE MATTRESS & GRIPPER PAD ON FUTON FRAME

### *For futons with a mattress and gripper pad only.*

1. If your futon came with an orange gripper pad, place it on top of the seat deck prior to putting the mattress on it. The gripper pad will help keep the mattress from sliding forward.
2. If your futon came with a mattress, place the mattress on the seat and back deck while the frame is in the seated position.
3. Be sure to push firmly in the center of the mattress to make the crease form to the junction of the wood deck. At the same time you are pushing into the center crease, use your knees to push the front of the mattress back until it lines up with the front edge of the frame.

## STEP 5

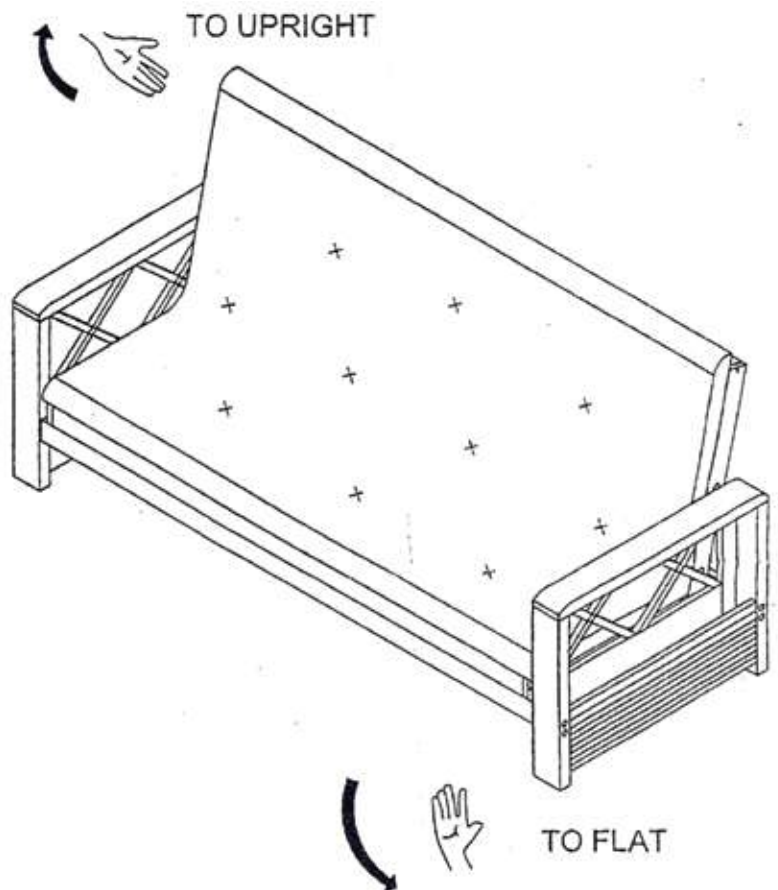
# MAKE YOUR FUTON INTO A BED

Your new easy futon is now assembled and ready to use.

To slide into bed position, lift the seat frame in the middle and pull forward.

Pull up the seat back in order to return to sofa position.

If mechanism is too stiff, lubricate the grooves in the both arms with wax or a bar of soap to increase easy movement.



***NOTE: Periodic tightening of the barrel bolts and connecting pins is advised since frequent use of the futon might cause bolts or pins to come loose.***

***Thank you for purchasing our futon!***



3428 West 48th Place  
Chicago, IL 60632  
(773) 599-0022  
[bigtreeusa.com](http://bigtreeusa.com)