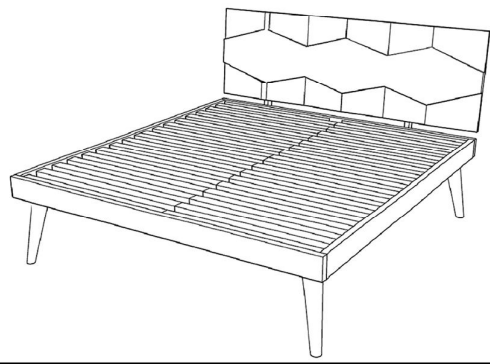


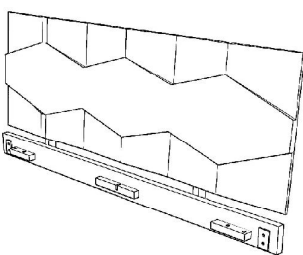
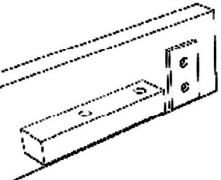
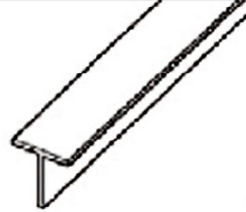
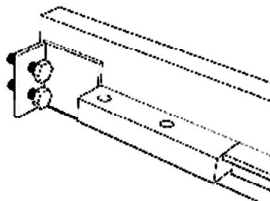


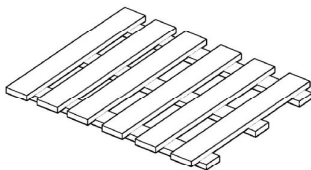
# MOE'S

home collection

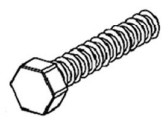
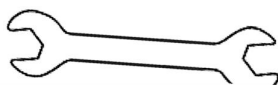
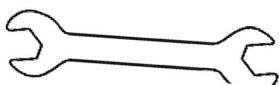



O2 KING BED  
 BZ 1044-24  
 ASSEMBLY INSTRUCTIONS



## Components:

<p>(A) Bed Head, 1x</p> 	<p>(B) Foot Rail, 1x</p>  <p>(C) Middle Rail, 1x</p> 	<p>(D) Side Rail, 2x</p>  <p>(E) Leg, 4x</p> 	<p>(F) Middle Leg, 1x</p>  <p>(G) Matt. Slate, 4x</p> 
---	---	--	--

## Hardware & Tools:

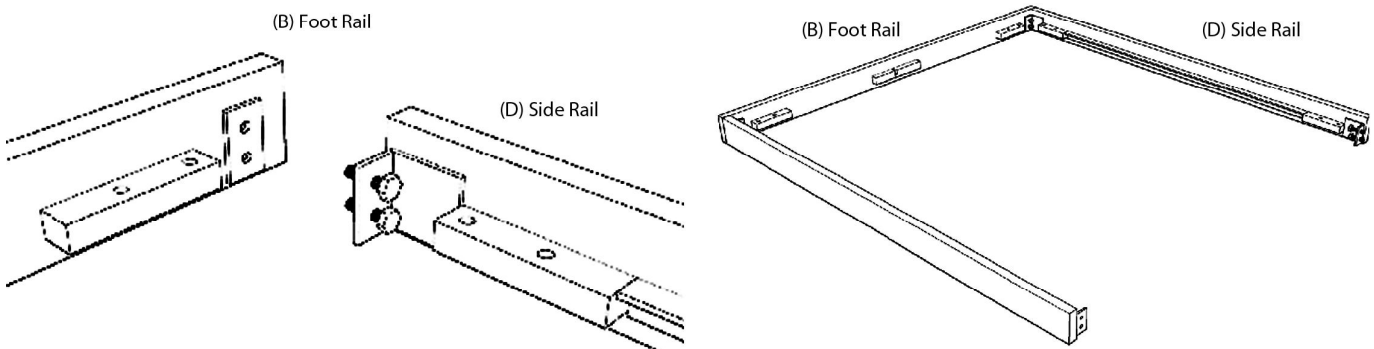
<p>(H) Bolt, 8x</p> 	<p>(I) Spanner, 1x</p> 	<p>(J) Spanner, 1x</p> 
<p>(K) Allen bolt, 16x</p> 	<p>(L) Washer, 1x</p> 	<p>(M) Allen Key, 1x</p> 

### Before beginning:

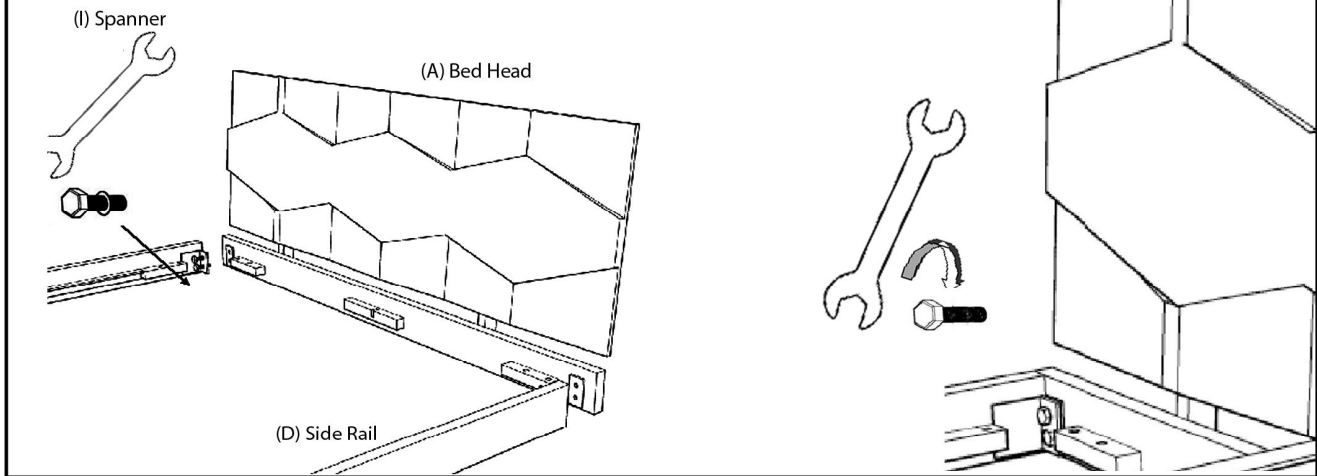
- Unpack all parts and hardware to ensure you have all needed components for assembly.
- Read this guide cover to cover before beginning assembly.
- Have 2 adults on hand for assembly.
- Assemble on a padded, non-marring surface.
- Save all packaging until finish.

### Assembly steps

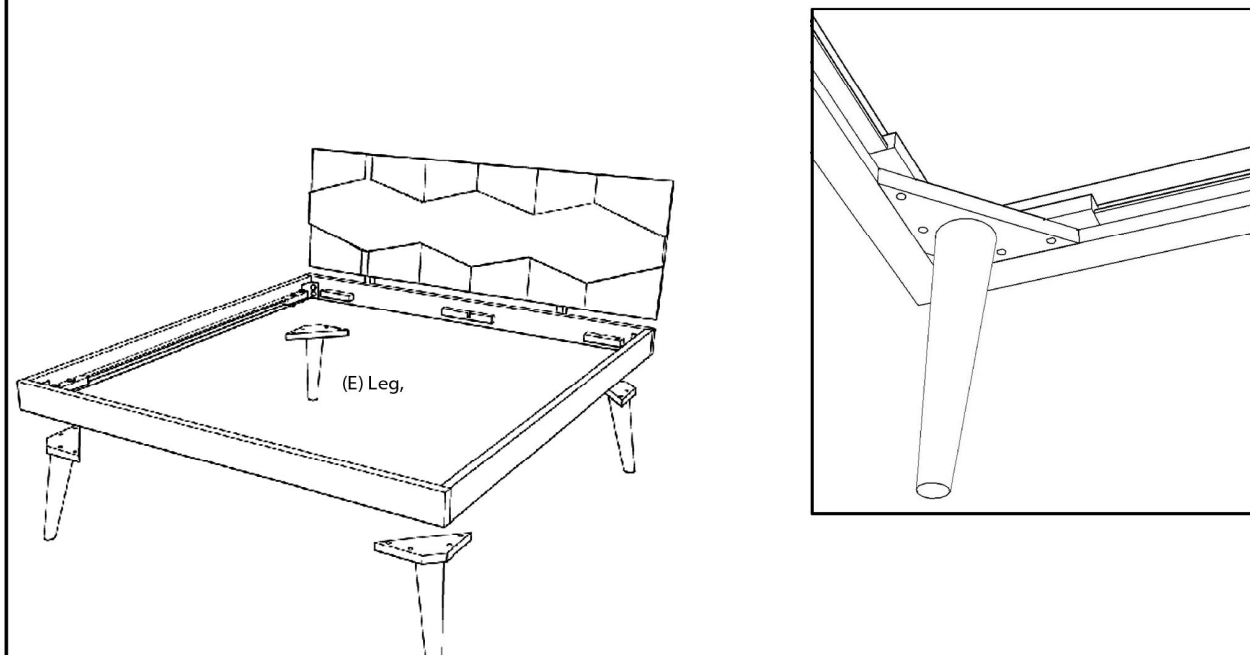
Step 1: Lay the Foot Rail (B) & Side Rail (D) on a soft surface, with the inserted nuts facing up, making them match with the Bolt as shown in the image.



**Step 2:** Attach the Bed Head(A) with Side Rail (D) using the Bolts (H), Washers (I) and Spanner (J) provided.



**Step 3:** Attach the legs (E) using the Bolts (H), Washers (I) and Spanner (J) provided.

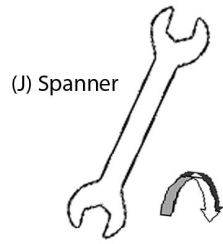


**Care Instructions:**

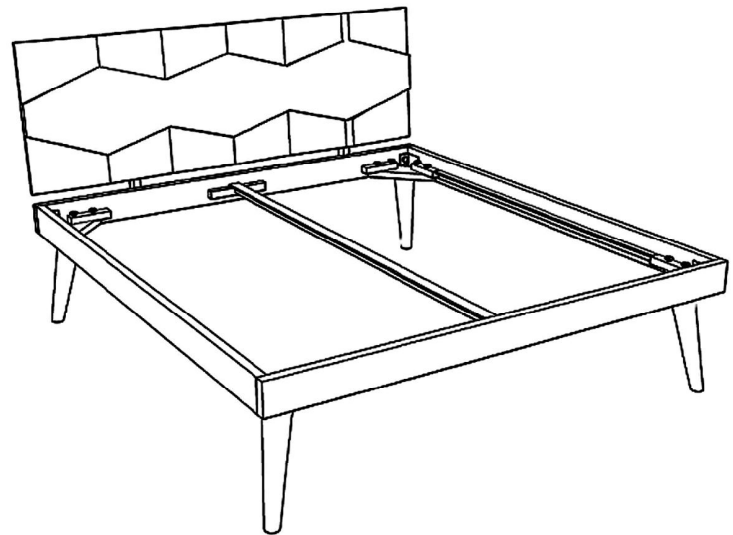
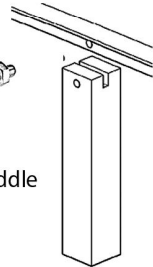
- Do not clean furniture with harsh cleansers or polish.
- Do not put hot items directly on furniture surface.
- Do not put furniture in direct sunlight.
- Not for commercial use. For residential use only.
- Dust and pick up spills with a clean, non-colored, lint-free cloth.
- Stains may be removed with mild soap and damp cloth.

**Thank you!**

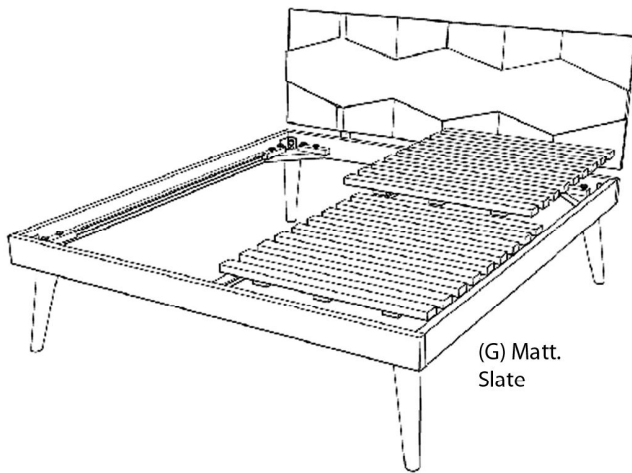
**Step 4:** Attach the Middle legs (F) using the Bolts (H, Washers (I) and Spanner (J) provided.



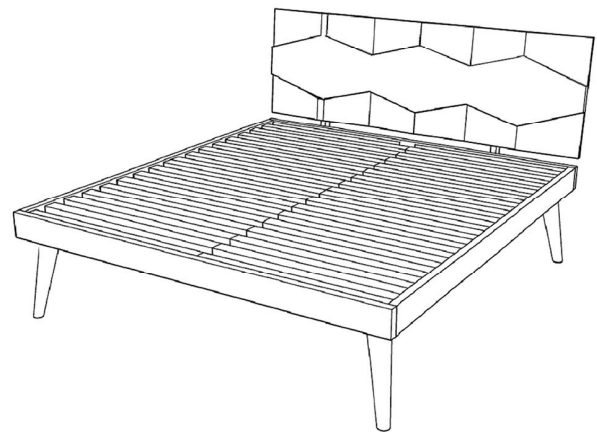
(F) Middle Leg



**Step 5:** Place Matt. Slate (G) on Side Rail (D) as shown in the image.



(G) Matt. Slate



**Assembly complete.**

**Care Instructions:**

- Do not clean furniture with harsh cleansers or polish.
- Do not put hot items directly on furniture surface.
- Do not put furniture in direct sunlight.
- Not for commercial use. For residential use only.
- Dust and pick up spills with a clean, non-colored, lint-free cloth.
- Stains may be removed with mild soap and damp cloth.

**Thank you!**