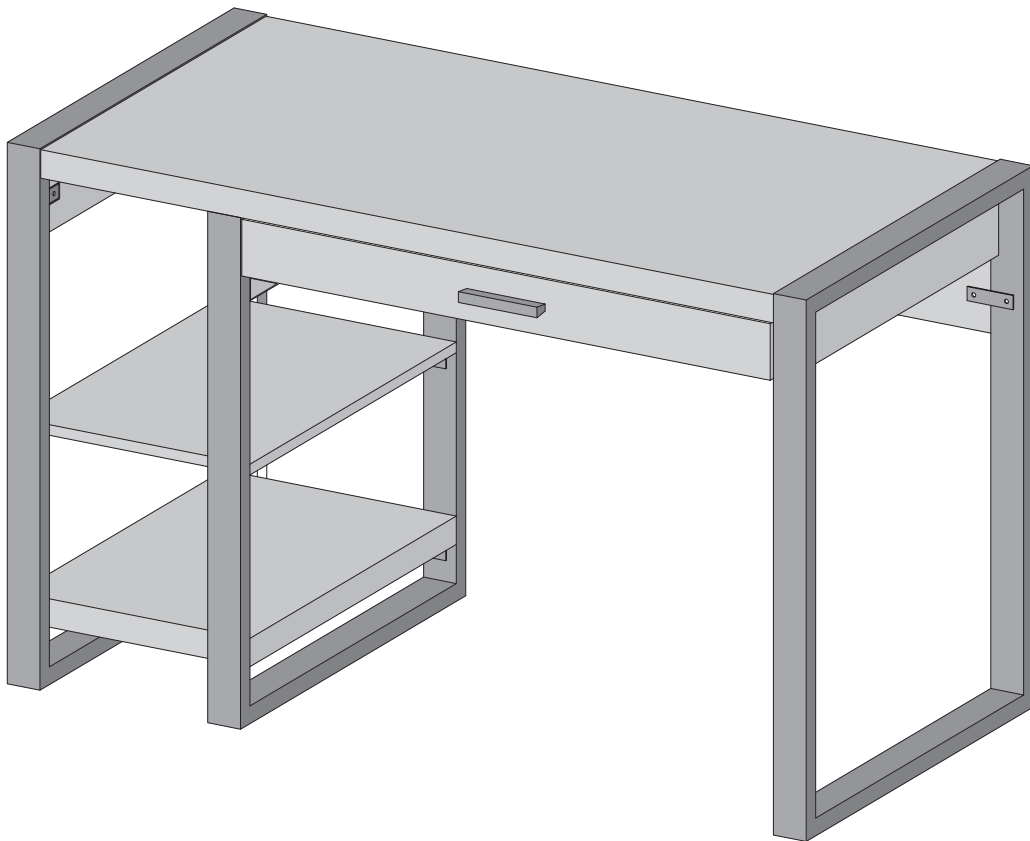


WE Walker
Edison
furniture company

Item # :D48UBC30
Assembly Instructions

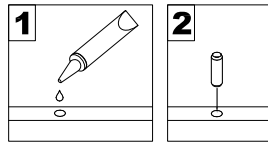


For our most current instructions, to request missing, lost or broken parts, or for any other Customer Service issues, please visit our website at www.walkeredison.com or call us at 877-207-5906.

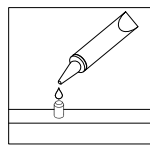
Revised 06/2015

General Assembly Guidelines

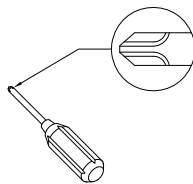
- I. Ensure that all parts and hardware are available before beginning assembly.
- II. Follow each step carefully to ensure the proper assembly of this product.
- III. Two people are recommended for ease in the assembly of this product.
- IV. The three main types of hardware used to assemble this product are : wood dowels , screws and bolts.
- V. The provided glue is to secure wood dowels in place . When first inserting dowels , locate the appropriate hole for the dowel , place a small amount of glue in the hole and insert the dowel . Wipe away excess glue immediately.



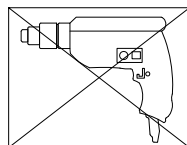
In future assembly steps when dowels are necessary to attach assembly parts together , place a small amount of glue on the end of the dowel before attaching parts together . Wipe away excess glue immediately.



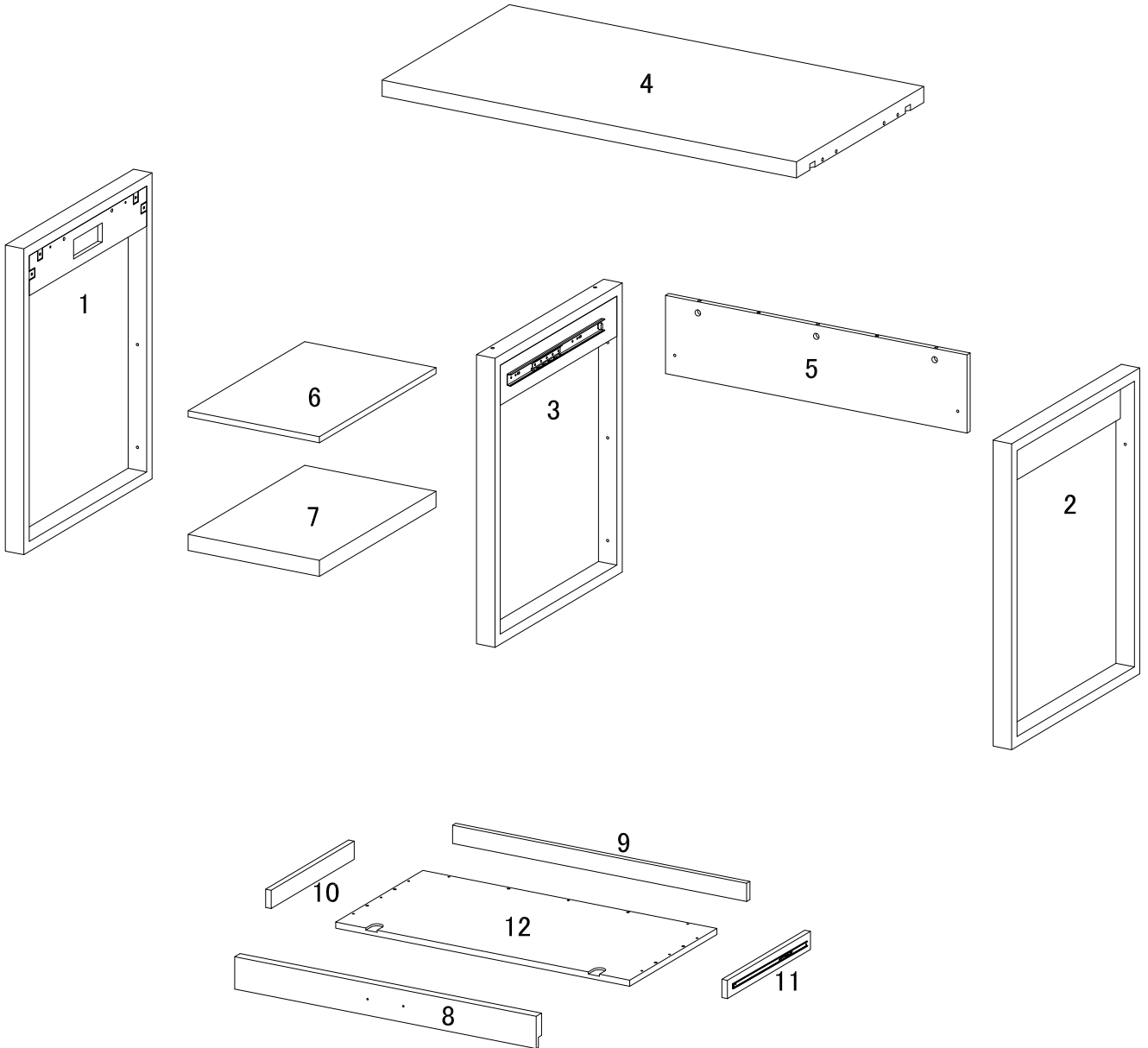
- VI. A Phillips head screwdriver is required for the assembly of this product .




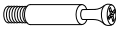


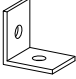


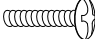

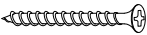
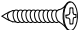



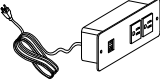



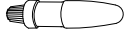

- VII. Power tools should not be used to assemble this product .

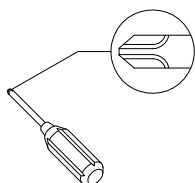


Parts List



Hardware List

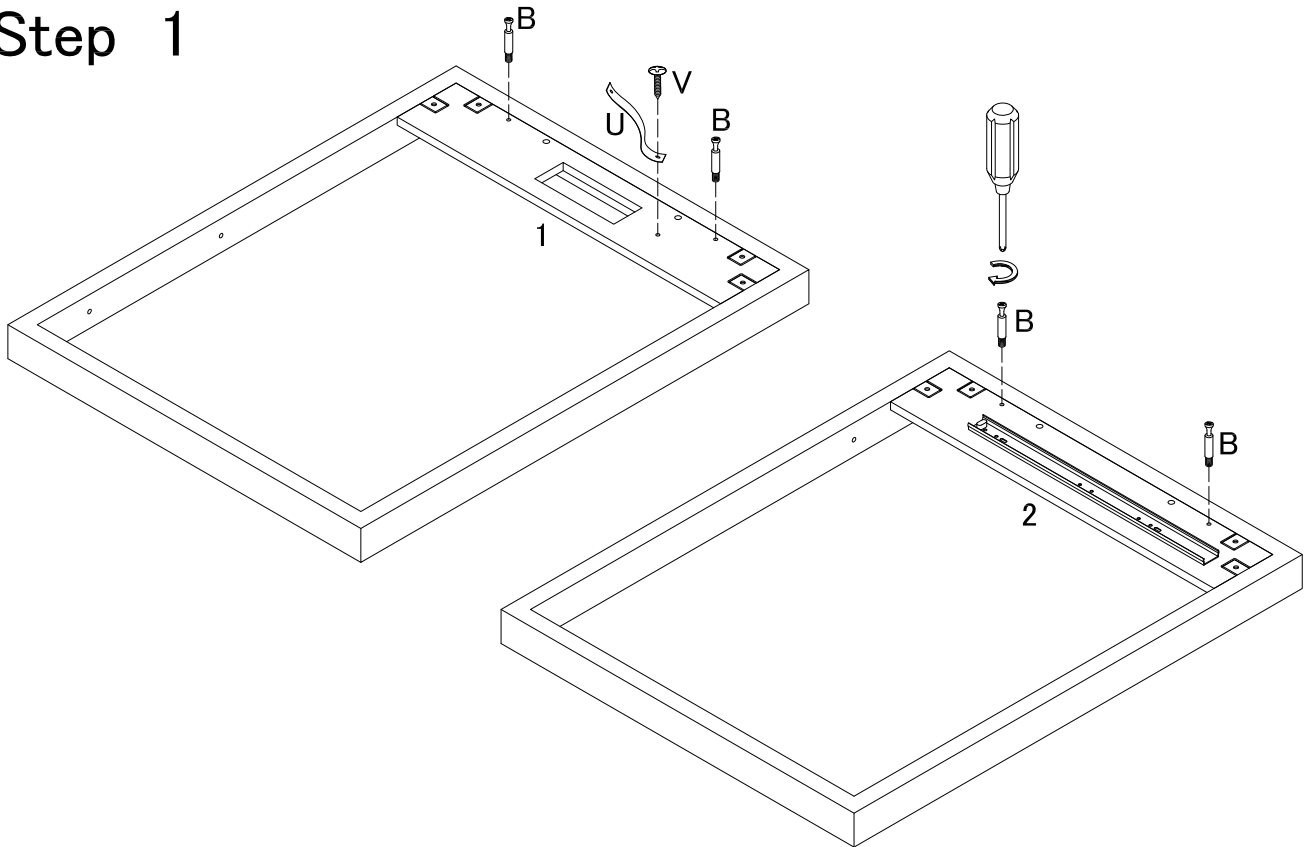
A		M8*30	Wooden dowel	12 pcs
B			Cam bolt	7 pcs
C			Cam lock	7 pcs
D		∅6*12	Bolt	20 pcs
E			L Shape Bracket	8 pcs
F			Flat Bracket	2 pcs
G			Handel	1 pc
H		M4*22	Bolt	2 pcs
J		∅6*38	Bolt	2 pcs
K		∅4*32	Screw	11 pcs
L		∅3*12	Screw	18 pcs
P			Hinge lock	1 pc
Q			Hinge lock	1 pc
R			Hinge	2 pcs
S			USB Interface	1 pc
U			Plastic strap	1 pc
V		∅3*15	Screw	1 pc
W			Wrench	1 pc
X			Glue tube	1 pc
Y			Sticker	7 pcs



Philips head screwdriver required for assembly
(not included)

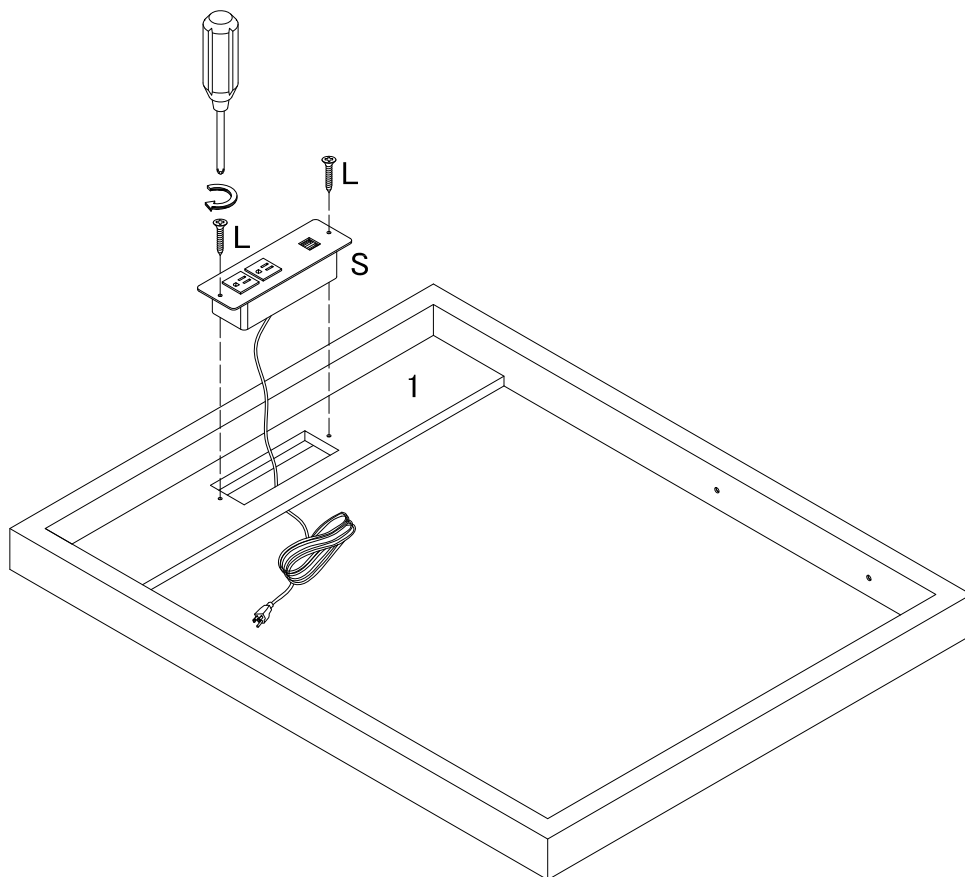
*The hardware quantities listed above are required for proper assembly.
Some extra hardware may also have been included.*

Step 1



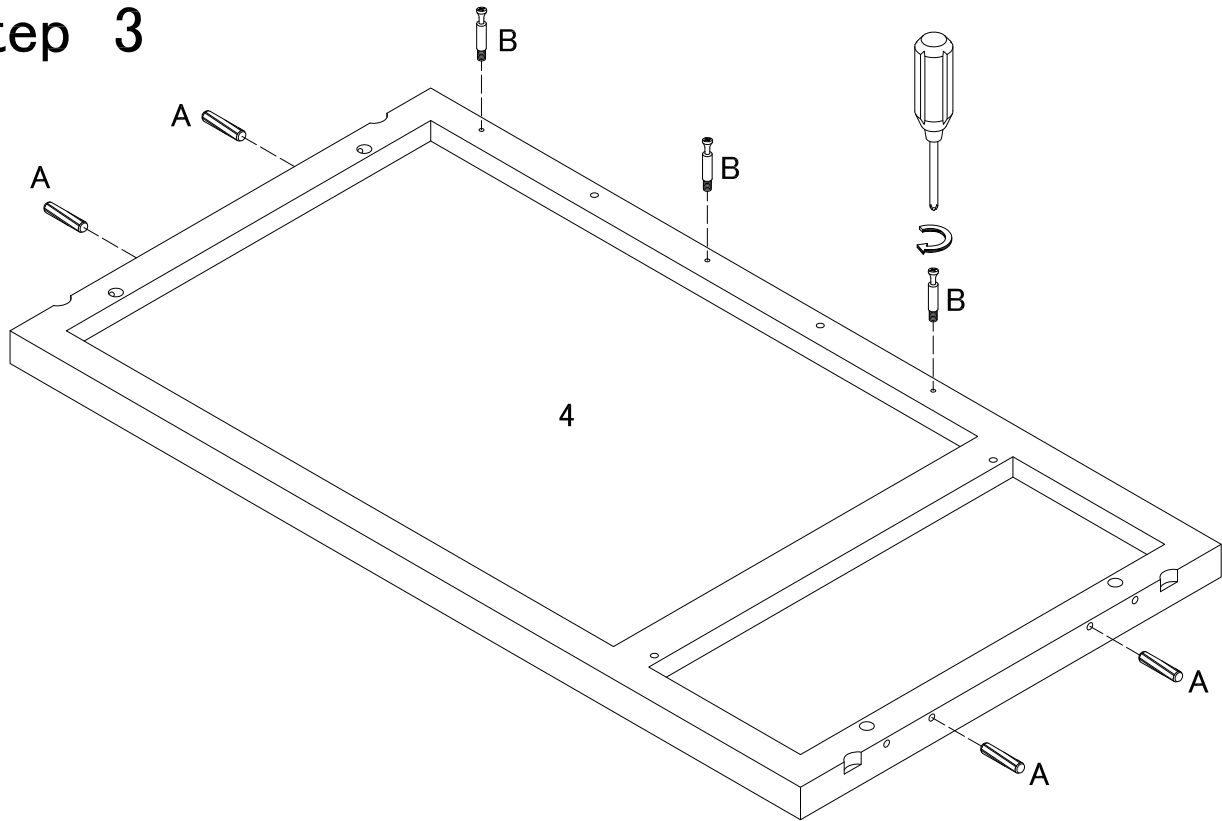
Insert the Cam Bolt (B) to the Side Frame (1)(2). Use Bolt (V) to secure the Velcro Strap (U) to Side Frame (1).

Step 2



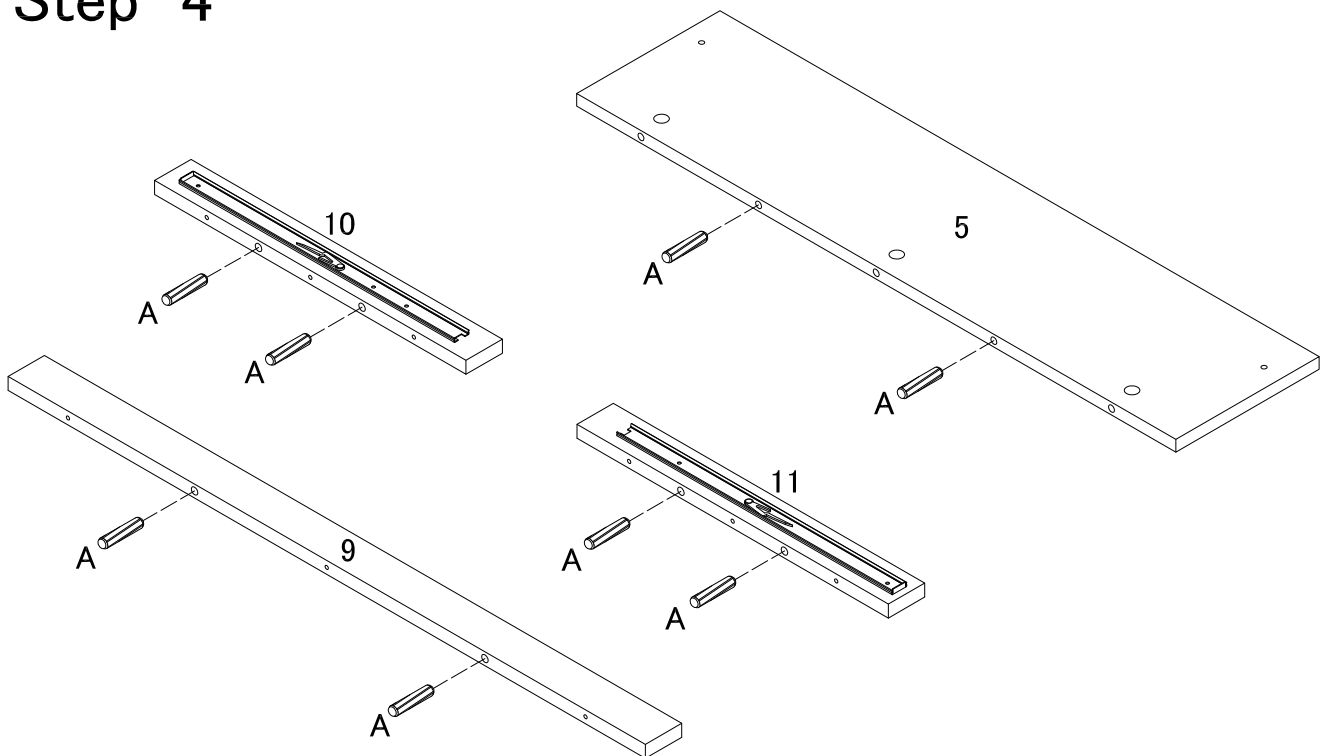
Insert the USB Interface (S) to the Side Frame (1) and secure it with Screw (L) .

Step 3



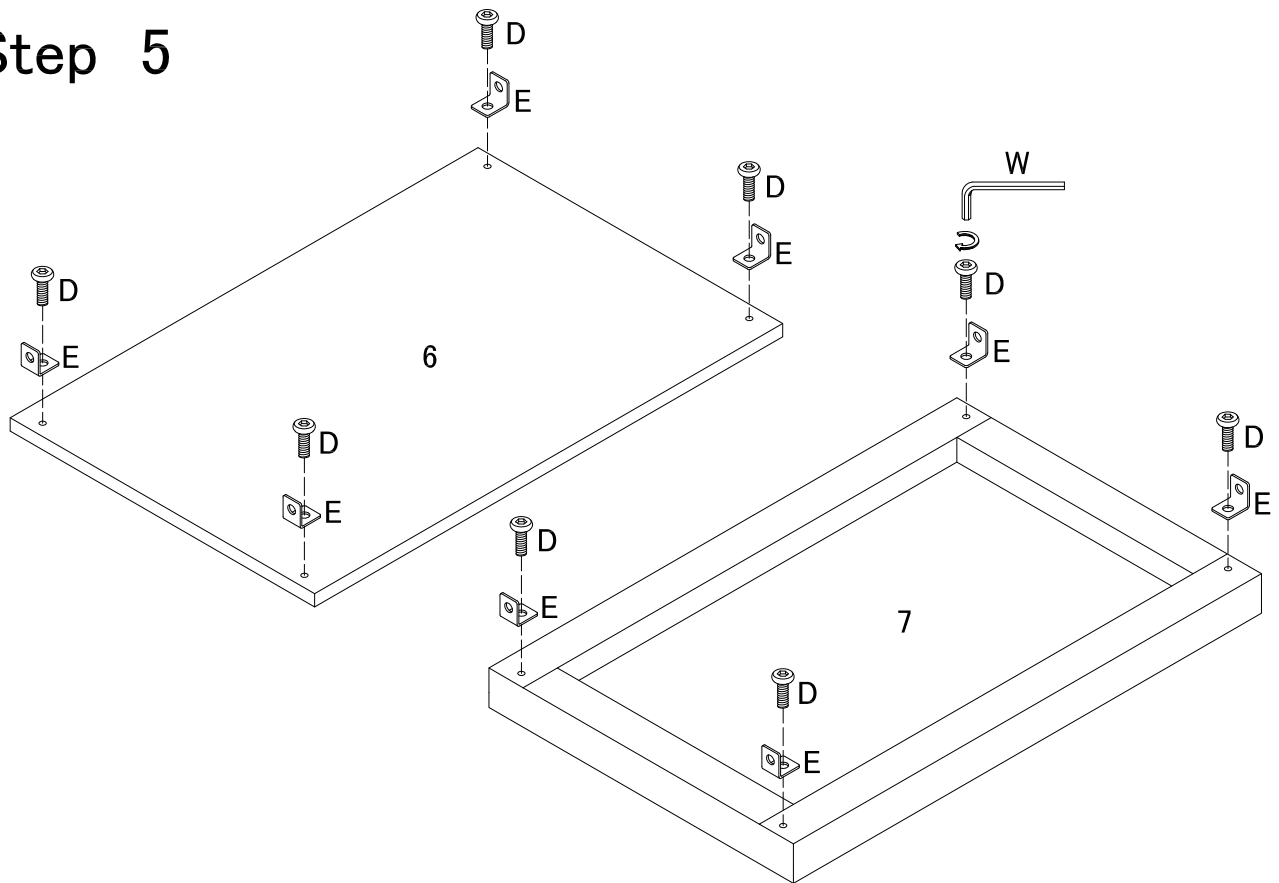
Insert the Wooden Dowel (A) and Bolts (B) to the Table Top.

Step 4



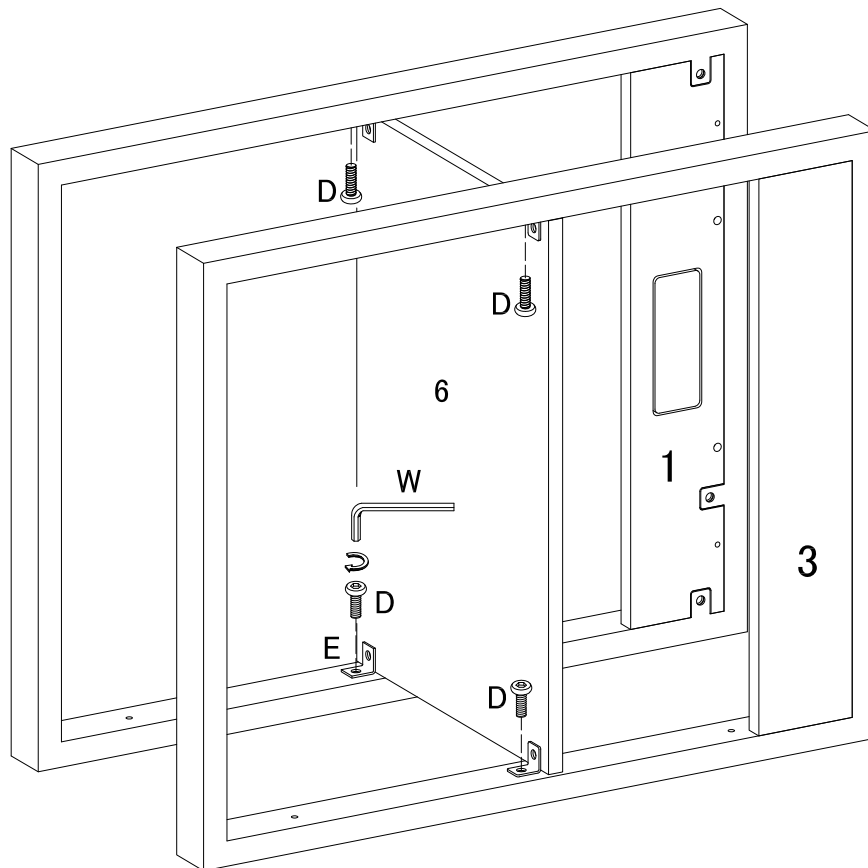
Insert the Wooden Dowel (A) to the Back Panel (5), Insert the Wooden Dowel (A) to the Drawers Panel (9)(10)(11).

Step 5



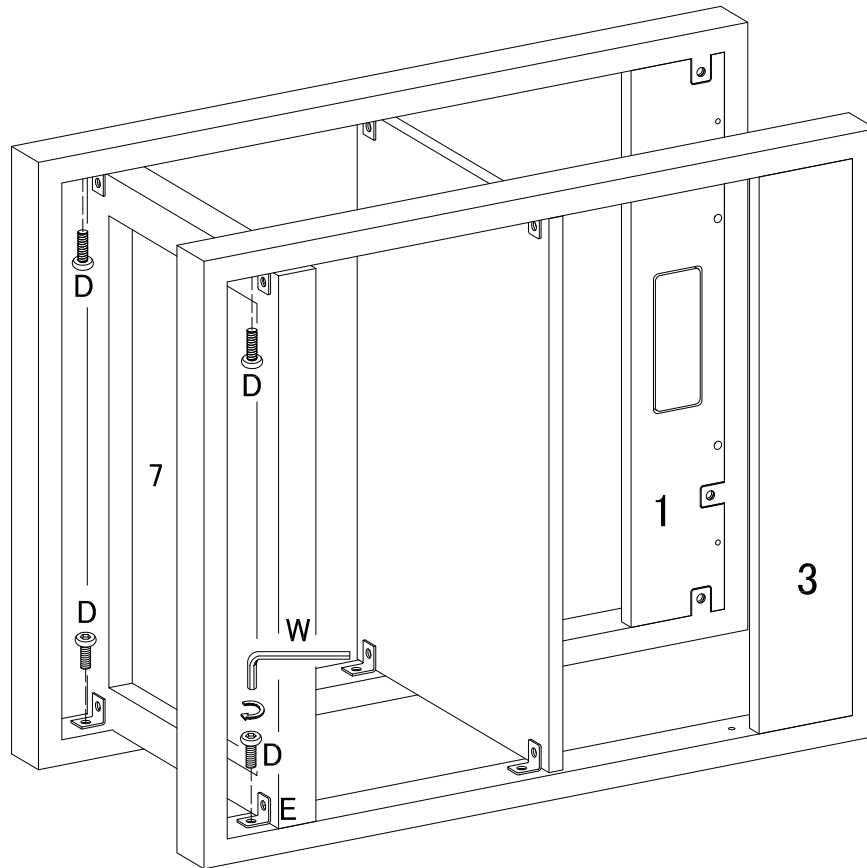
Use Wrench (W) and Bolt (D) to secure the L Shape Bracket (E) to the Shelving Board (6)(7).

Step 6



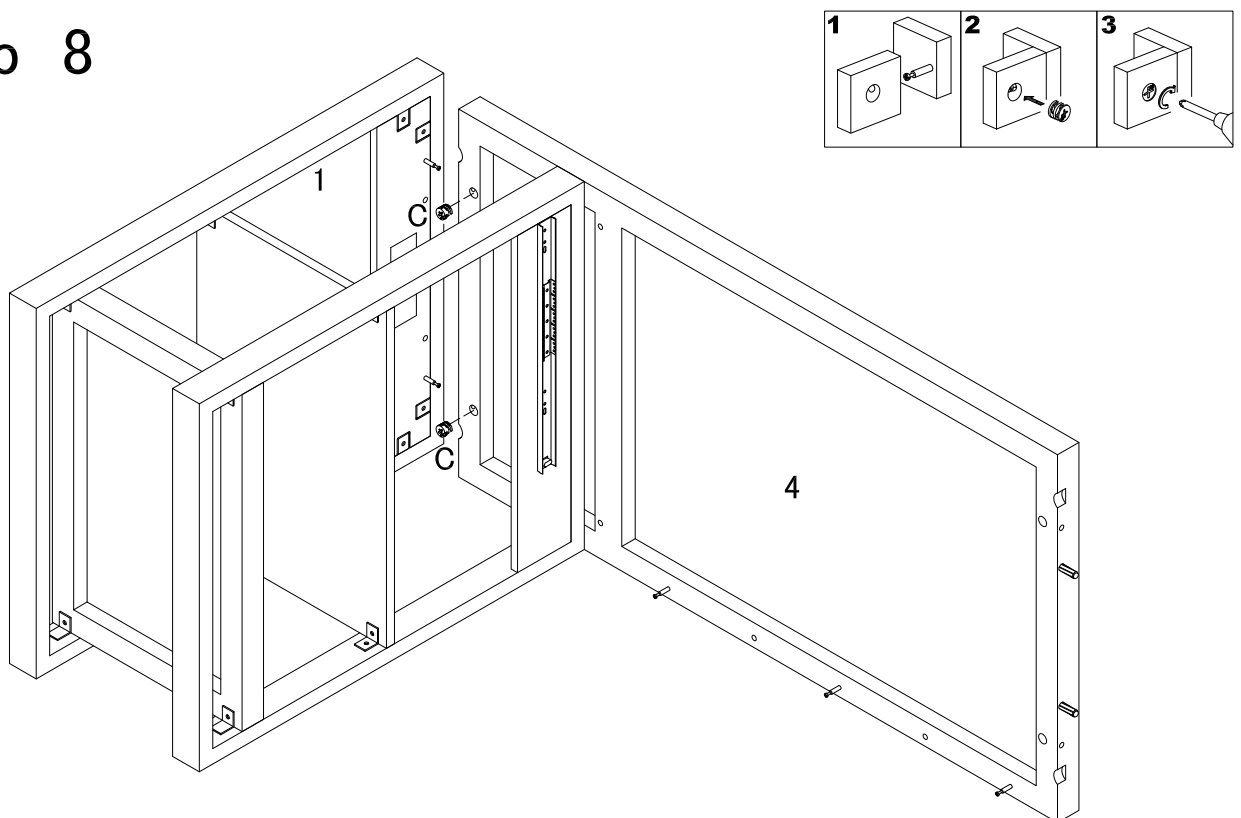
Use Wrench (W), Bolt (D) to secure the L Shape Bracket (E) to the Shelving Board (6) and Side Frame (1)(3).

Step 7



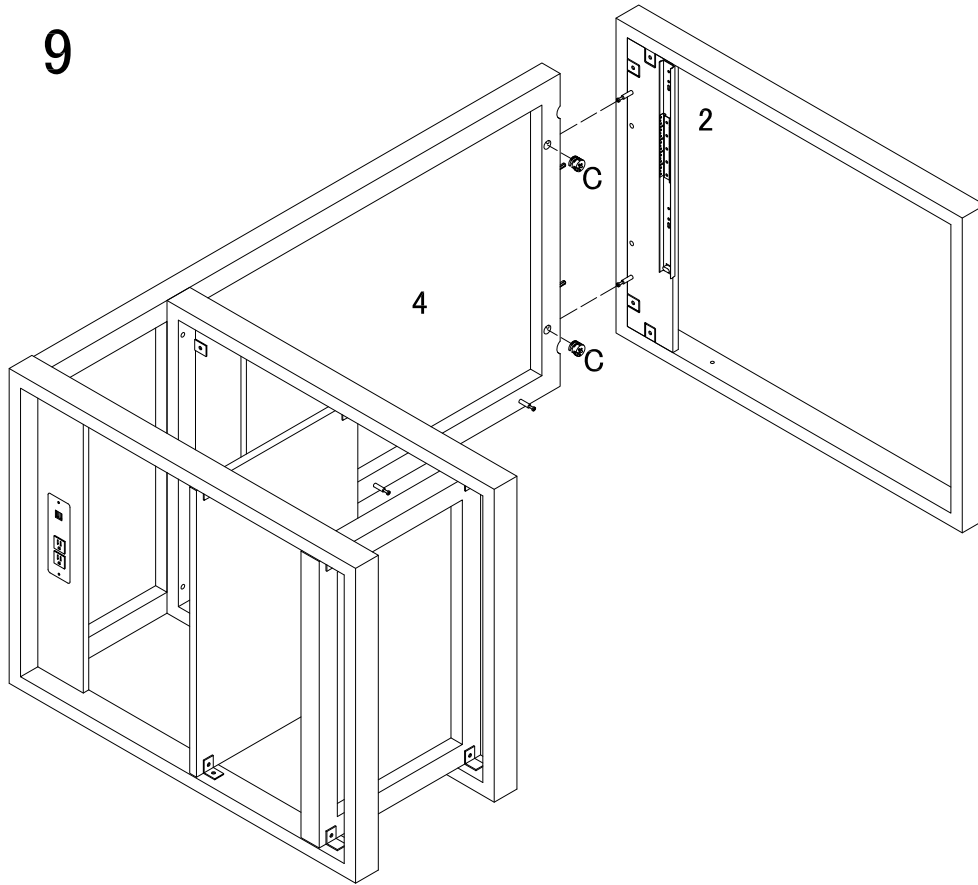
Use Wrench (W), Bolt (D) to secure the L Shape Bracket (E) to the Shelving Board (7) and the Side Frame (1)(3).

Step 8



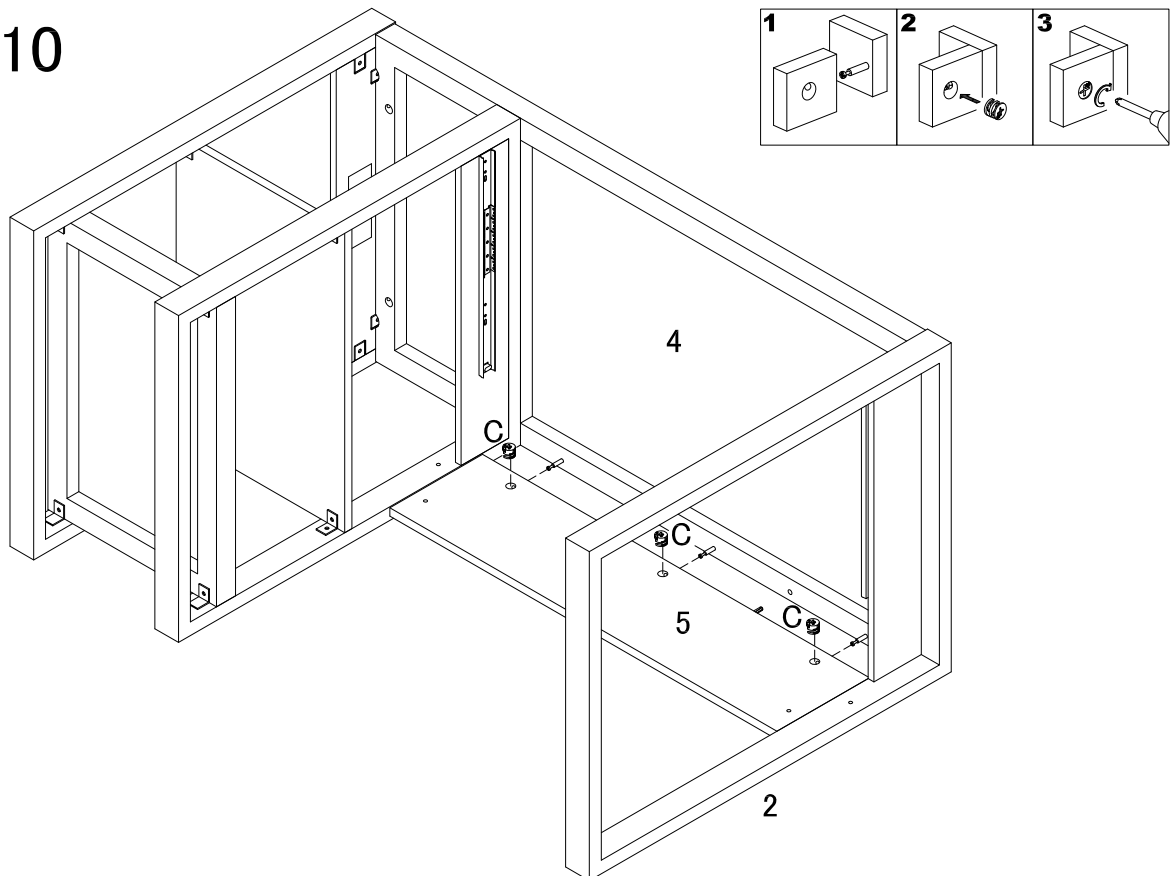
Use Cam Lock (C) to secure the Table Top (4) to the Side Frame (1)(3).

Step 9



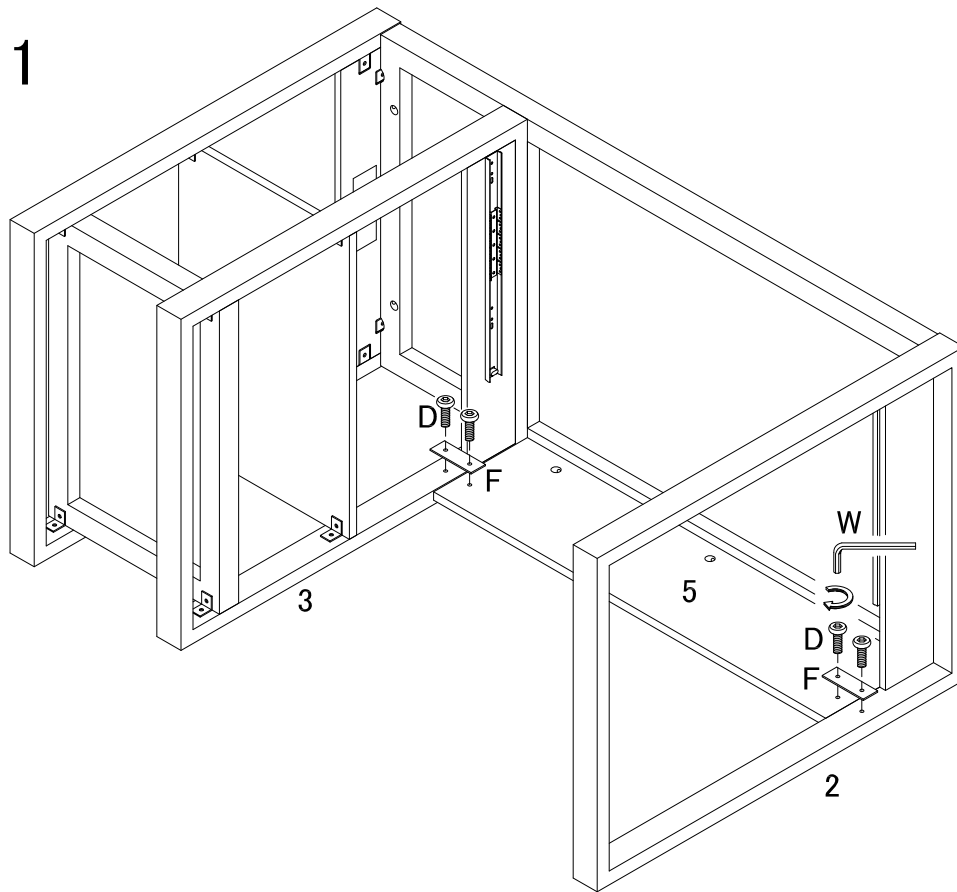
Use Cam Lock (C) to secure the Table Top (4) to the Side Frame (2).

Step 10



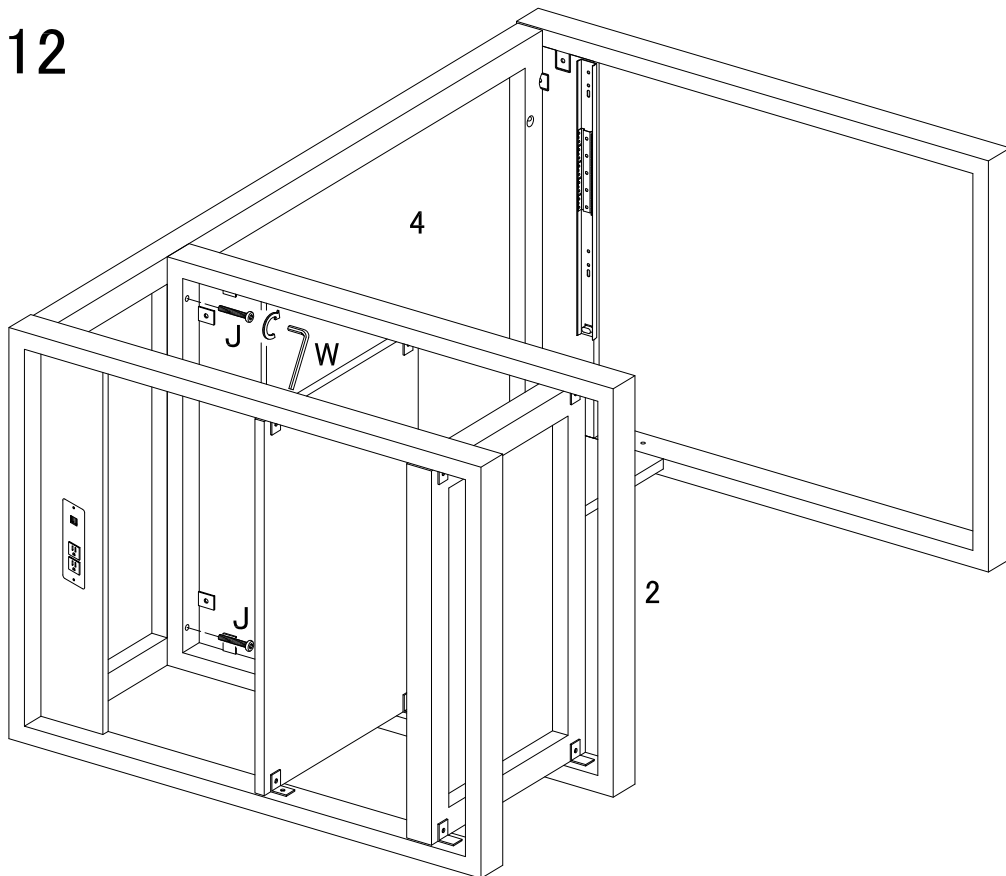
Use Cam Lock (C) to secure the Back Panel (5) to the Table Top (4).

Step 11



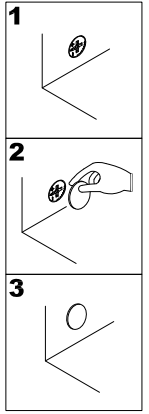
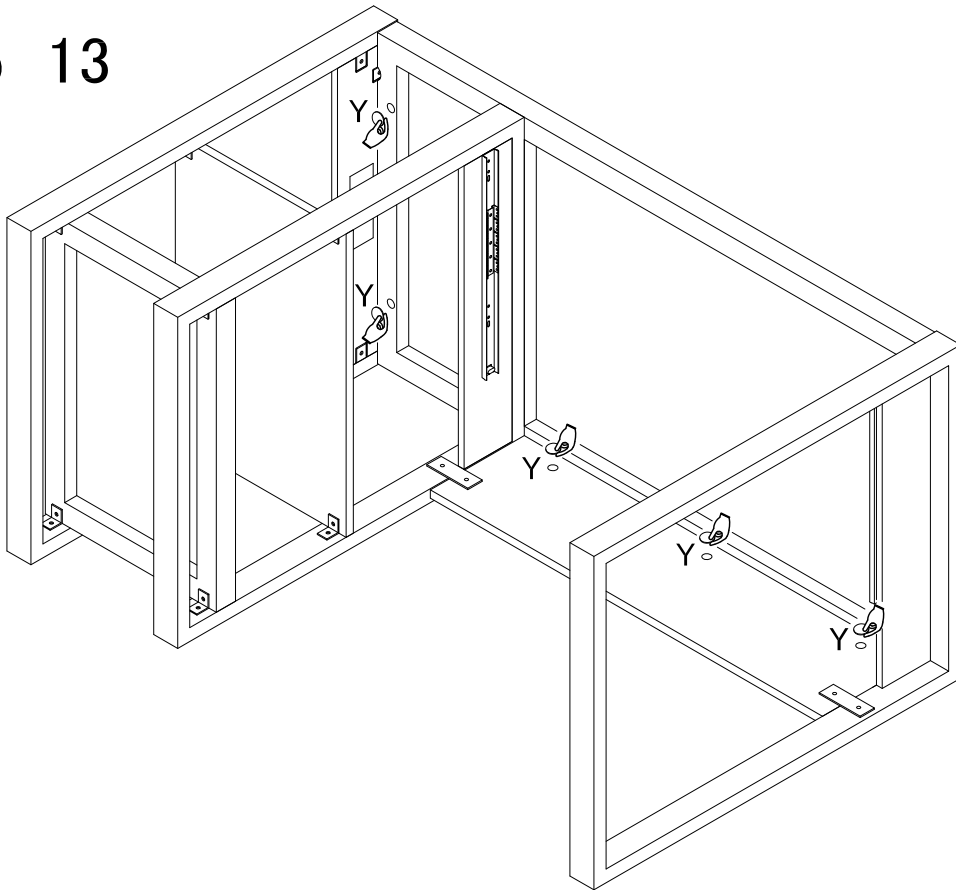
Use Bolt (D), Wrench (W) to secure the Flat Bracket (F) to the Side Frame (2)(3) and Back Panel (5).

Step 12



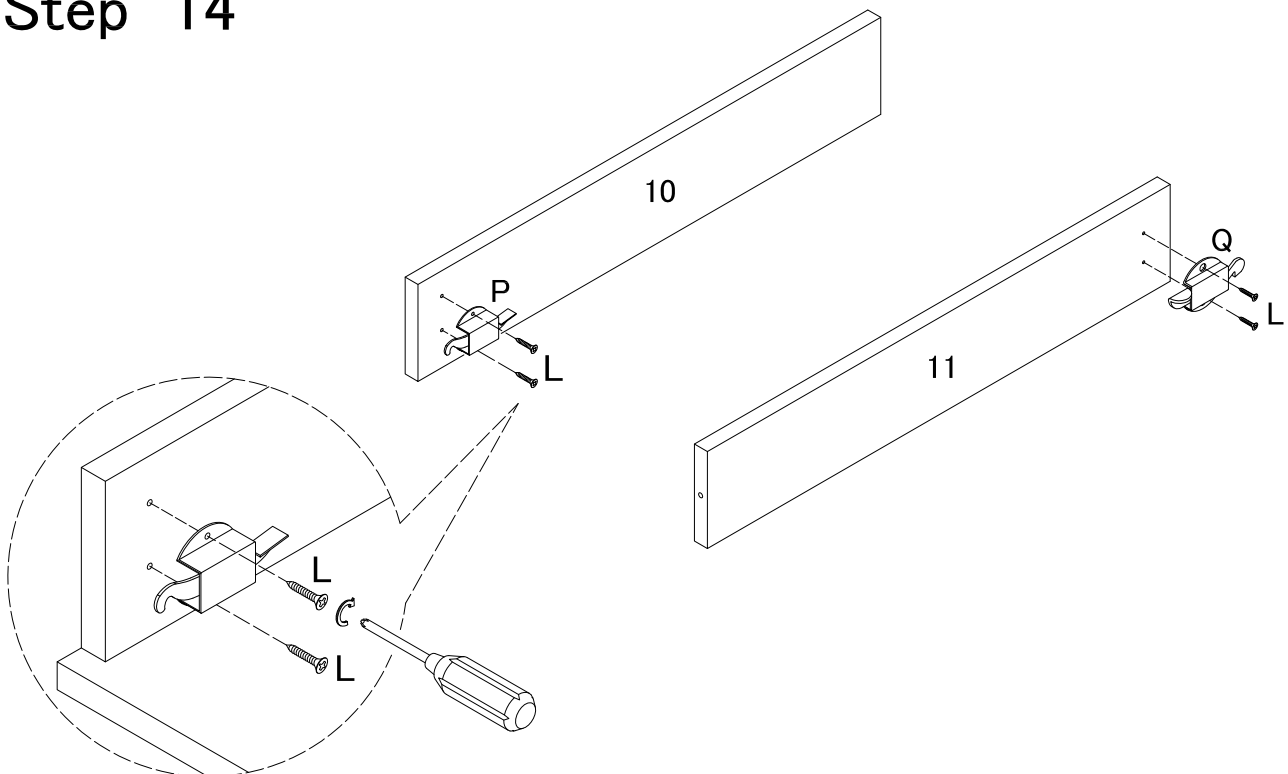
Use Bolt (J), Wrench (W) to secure Side Frame (3) to the Table Top (4).

Step 13



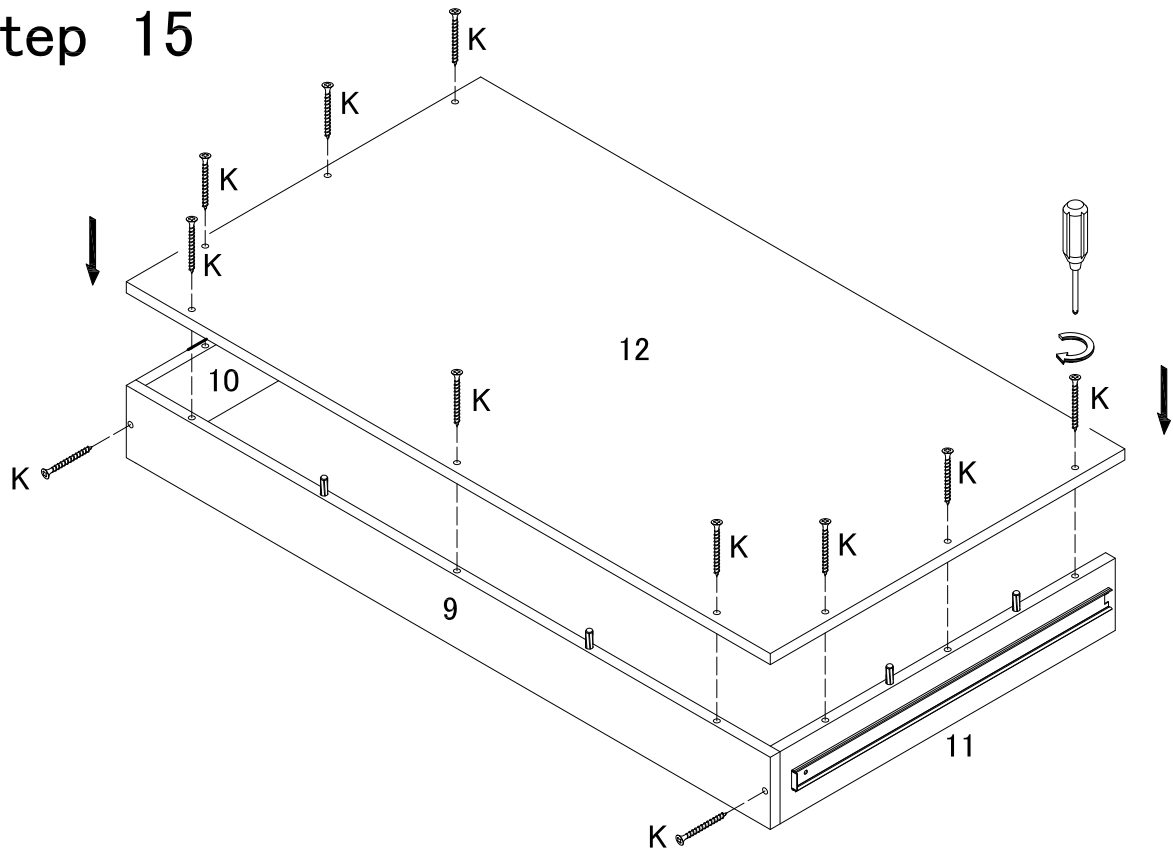
Use Sticker (Y) to cover the Cam Locks.

Step 14



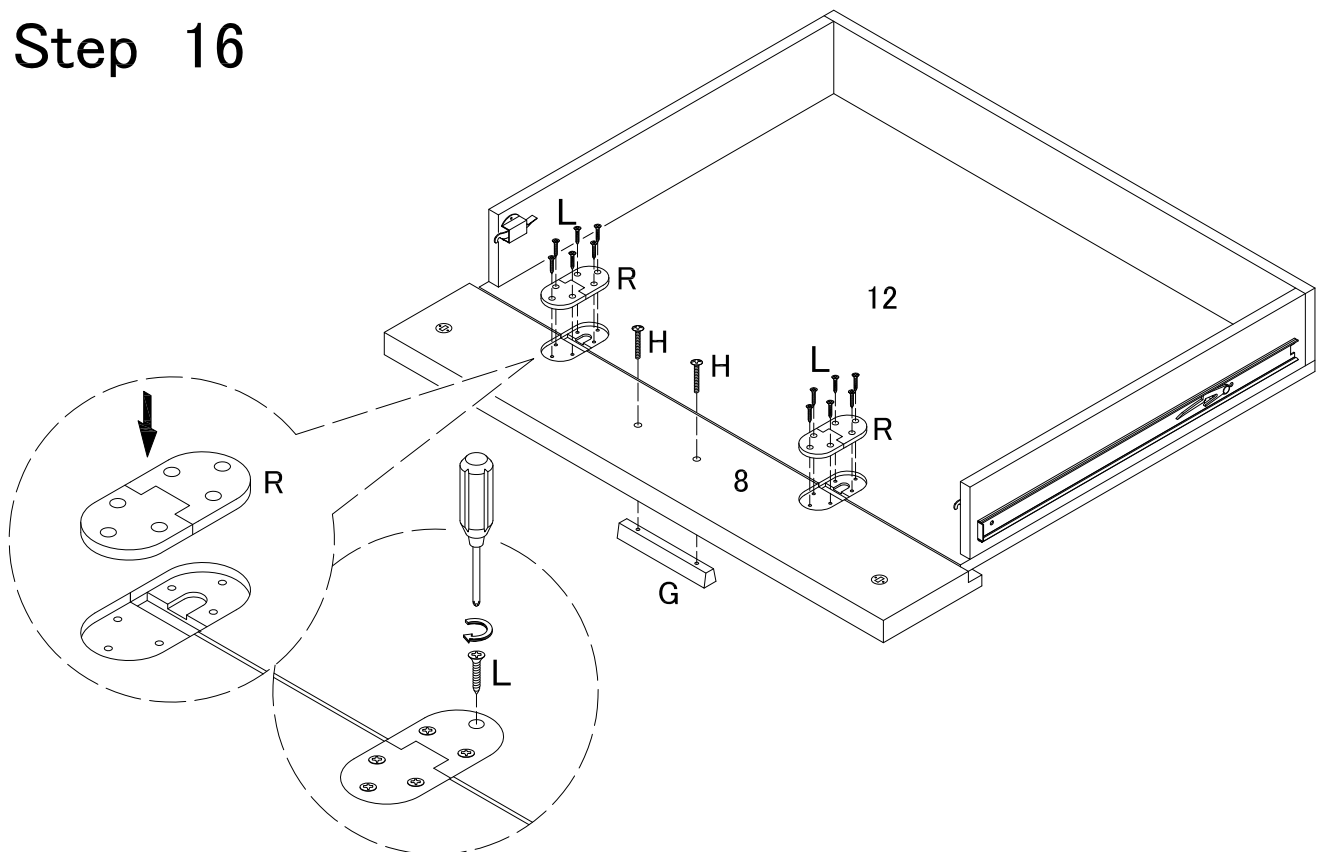
Use Screw (L) to secure the Hinge Lock (P) to the Drawer Side Panel (10)(11).

Step 15



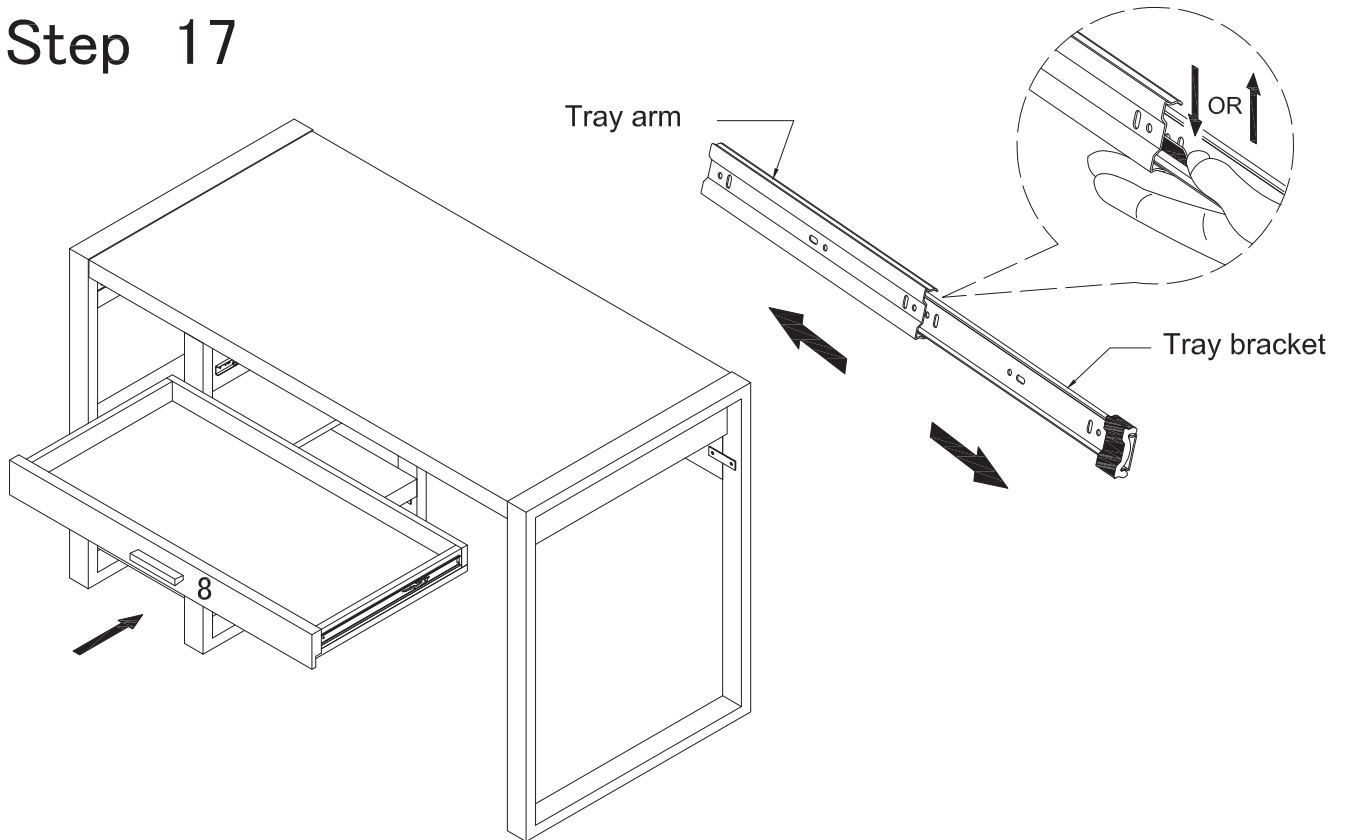
Assemble the Bottom Drawer Panel (12) to the Drawers Side & Back Panel (9) (10)(11) with Screw (K).

Step 16



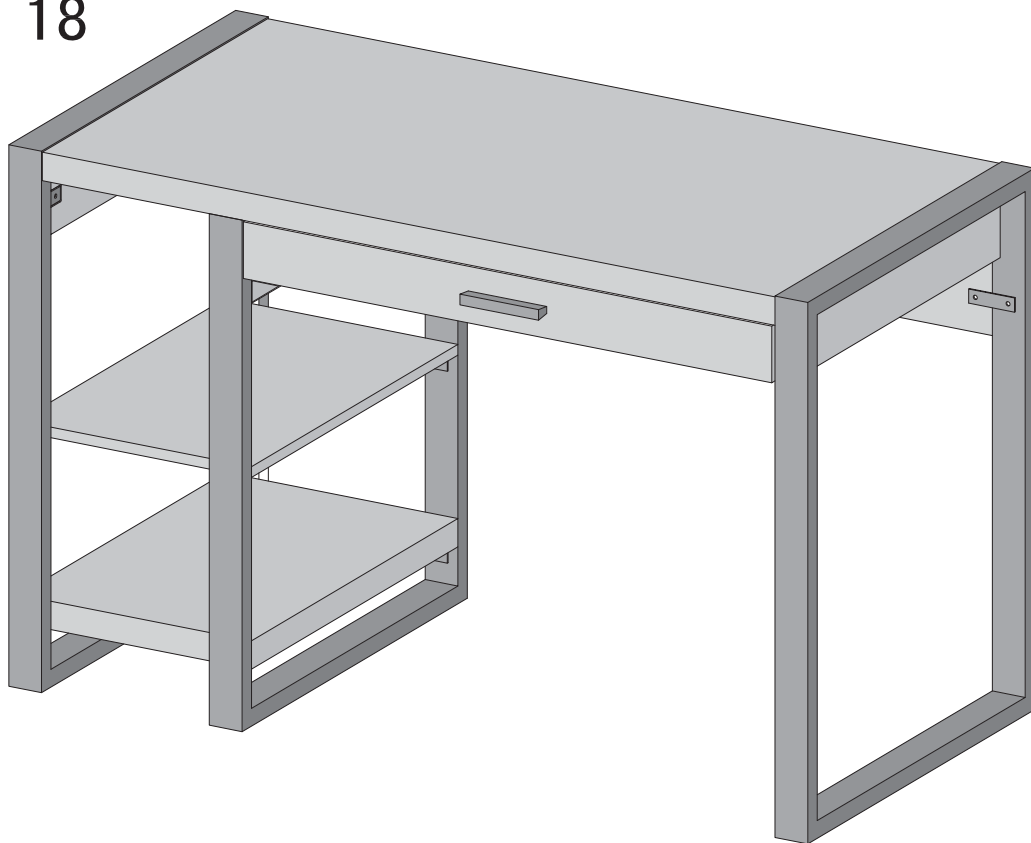
Use Screw (L) to secure the Hinge (R) to the Drawer Front Panel (8), Drawer Bottom Panel (12). Use Bolt (H) to assemble the Drawer Handle (G) to the Drawer Front Panel (8).

Step 17



Slide in the Drawers (8) to the Desk, Insert as per above diagram on the right hand corner, by Click or Slide in to the Tray arm.

Step 18



Final Assembly