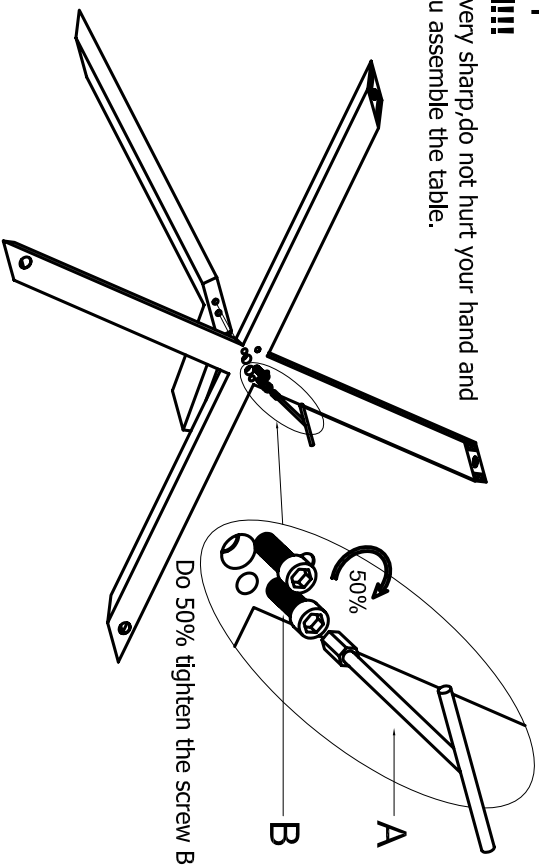


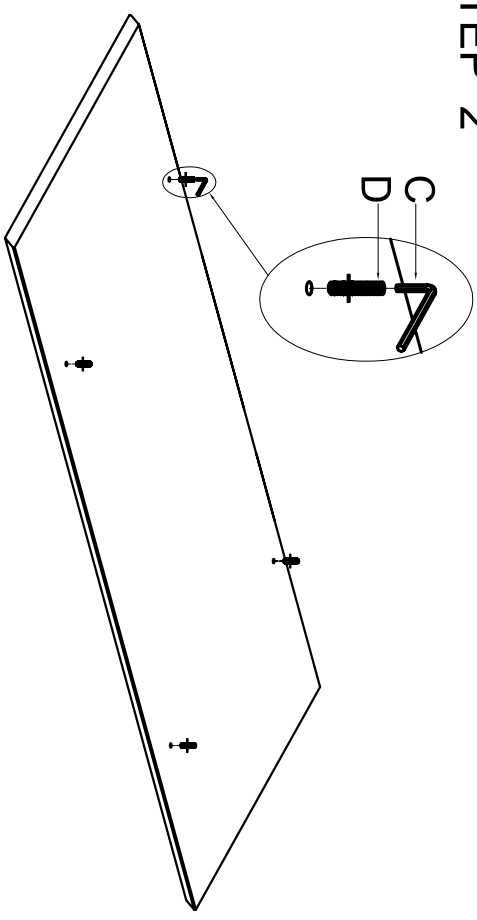
STEP 1

Be careful!!!

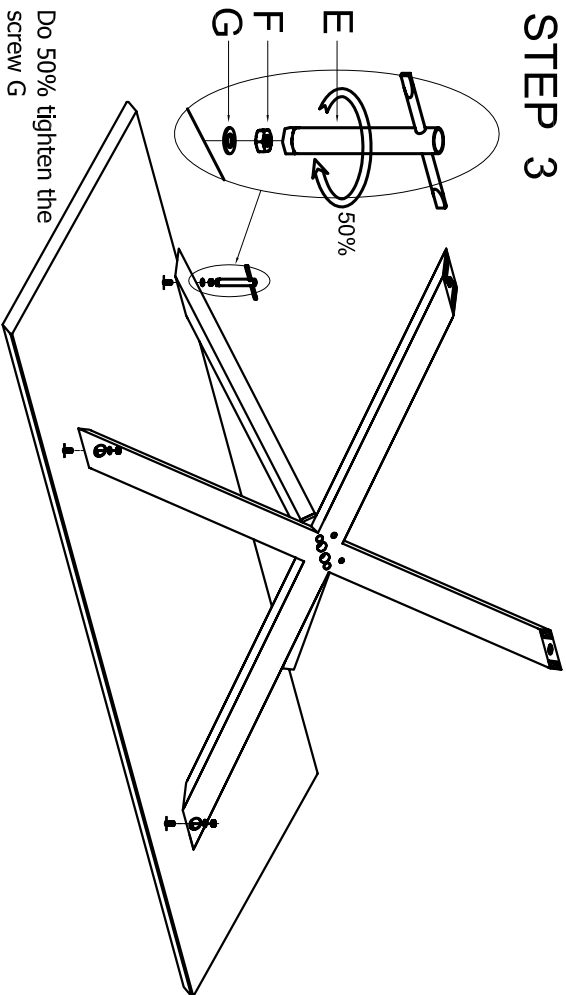
The corner is very sharp, do not hurt your hand and head when you assemble the table.



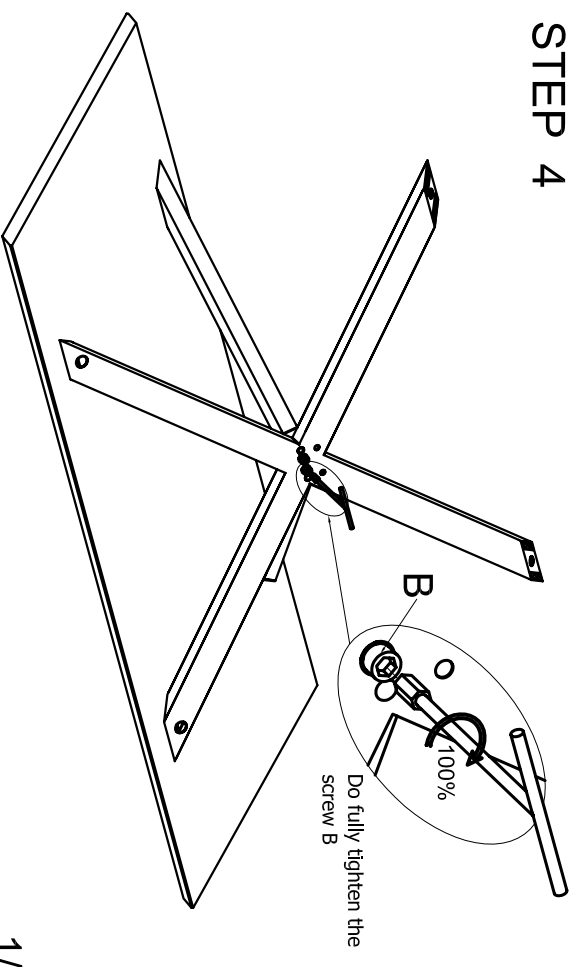
STEP 2



STEP 3












STEP 4

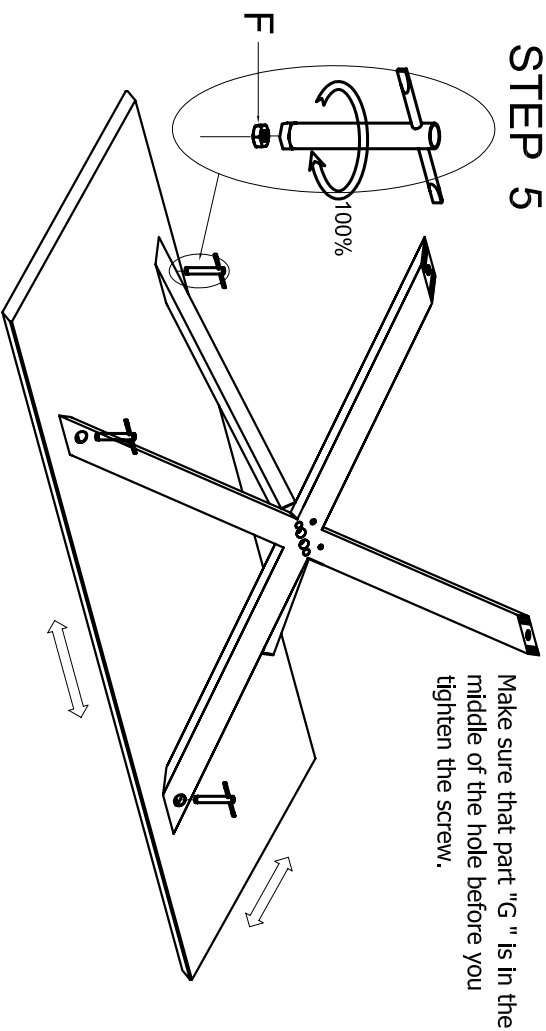


1/2

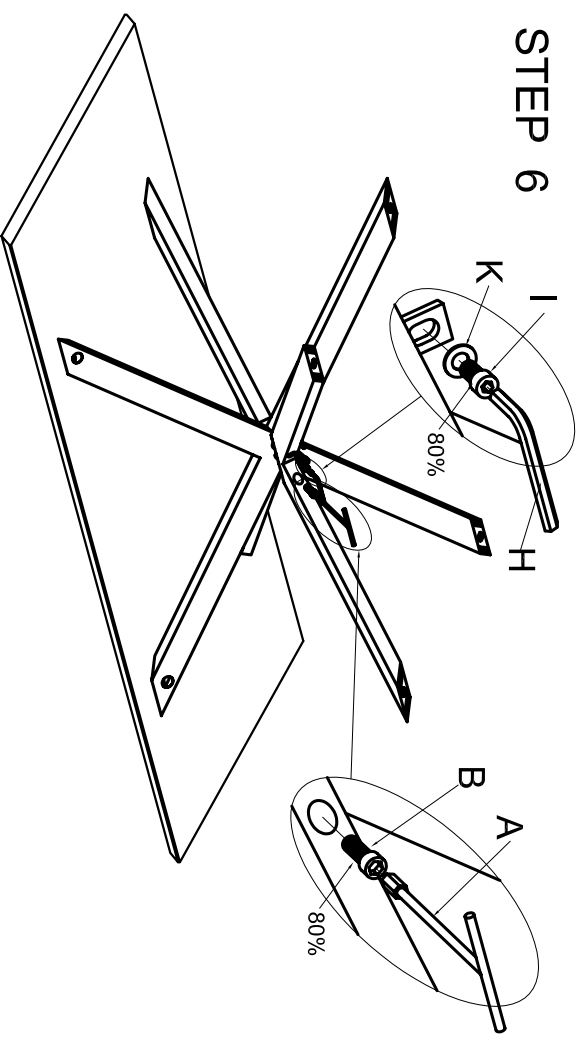
ER-1174-20

A	B	C	D	E	F	G	H	I
								
12MM 1PC	M14*40 4PCS	4MM 1PC	M8*50 4PCS	14# 1PCS	M8 4PCS	Ø25*Ø8 4PCS	6MM 1PC	M8*16 2PCS

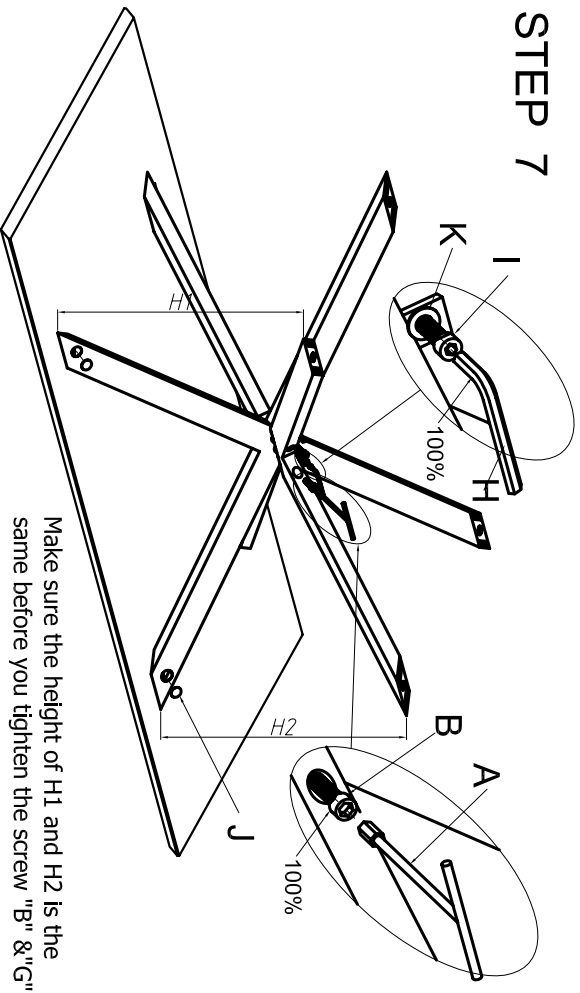
STEP 5



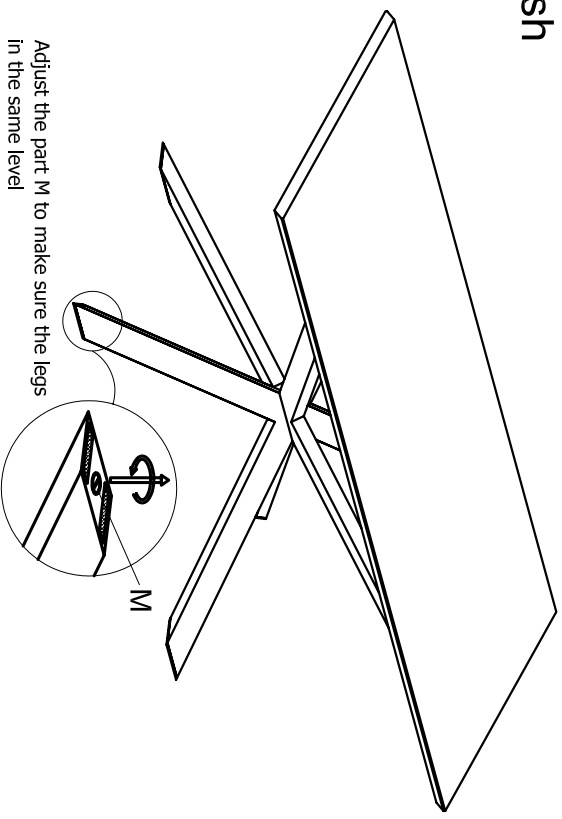
STEP 6



STEP 7





Finish



2/2

ER-1174-20

J	K
	
Ø35*0.4 6PCS	Ø17*Ø8 2PCS