

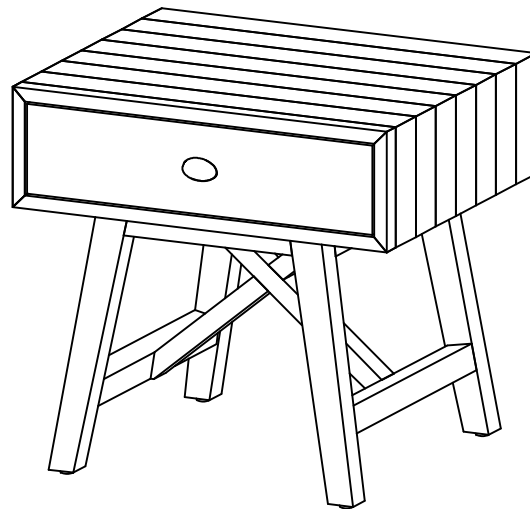
MOE'S

home collection

ASSEMBLY INSTRUCTIONS.

CALAIS NIGHTSTAND




FR-1021-31






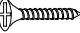

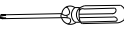
THANK YOU FOR YOUR PURCHASE!

PARTS AND HARDWARE.

PARTS LIST

NO.	DESCRIPTION	IMAGE	Q'TY
P1	TABLE TOP		1
P2	LEGS FRAMES		2
P3	STRETCHER FRAME		1

HARDWARE LIST

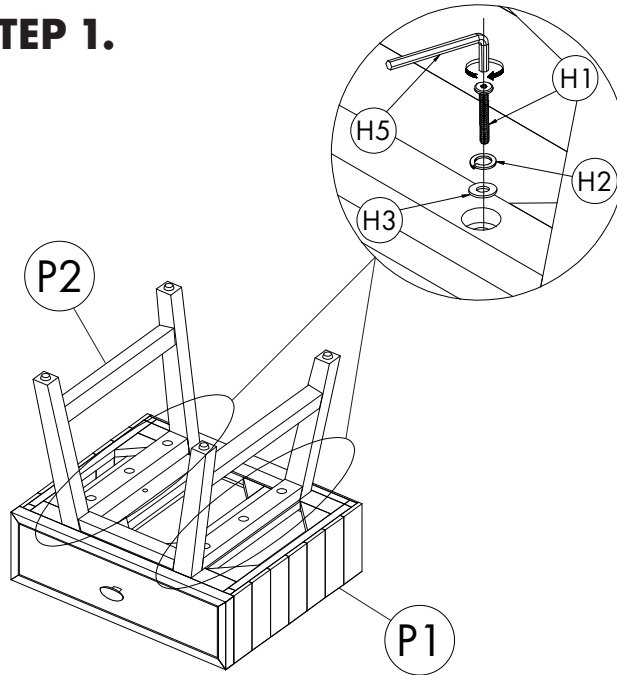
NO.	DESCRIPTION	IMAGE	Q'TY
H1	BOLT M8x40		8
H2	SPRING WASHER		8
H3	WASHER		8
H4	SCREW M4		2
H5	ALLEN KEY		1
H6	SCREW DRIVER		NOT PROVIDE

NOTES.

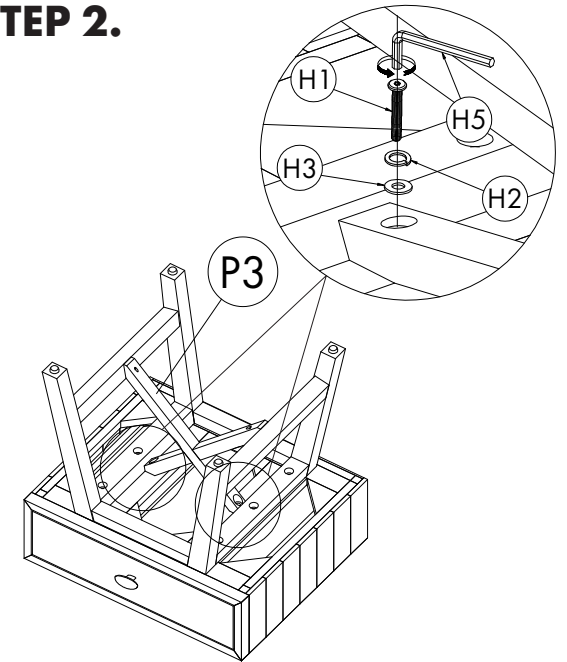
Thank you for purchasing this quality product! Be sure to check all packing material carefully for small part that may have come loose inside the carton during shipping.

CAUTION: The item is heavy, assembly should be performed by two people.

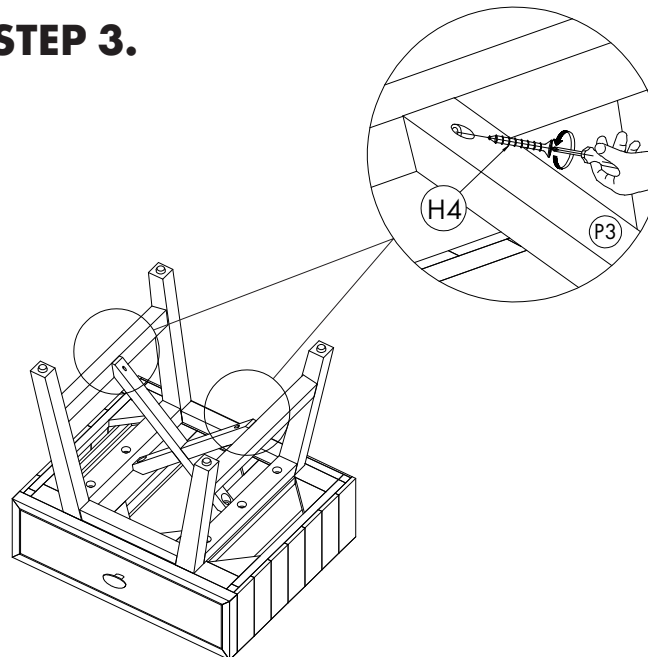
STEP 1.



STEP 2.



STEP 3.



STEP 4.

