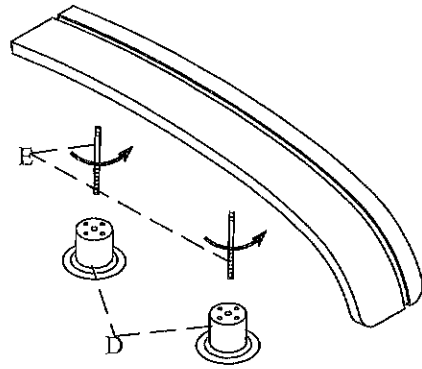
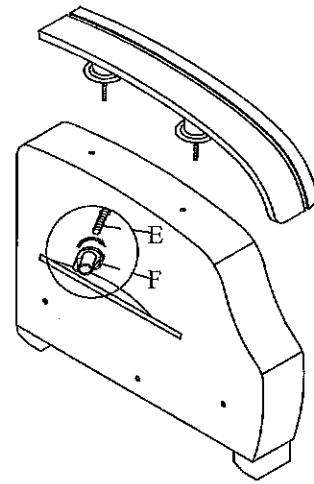


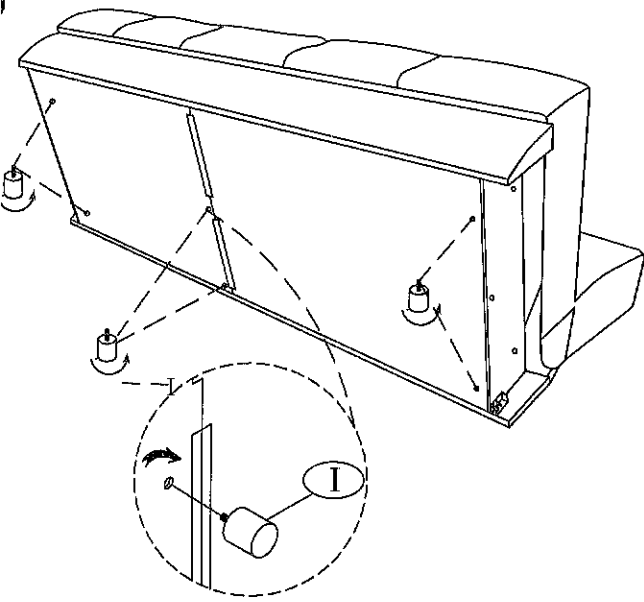
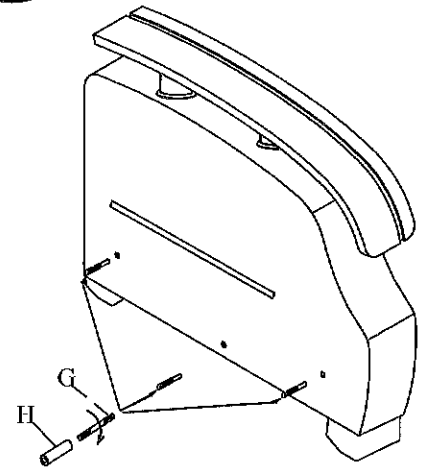
02



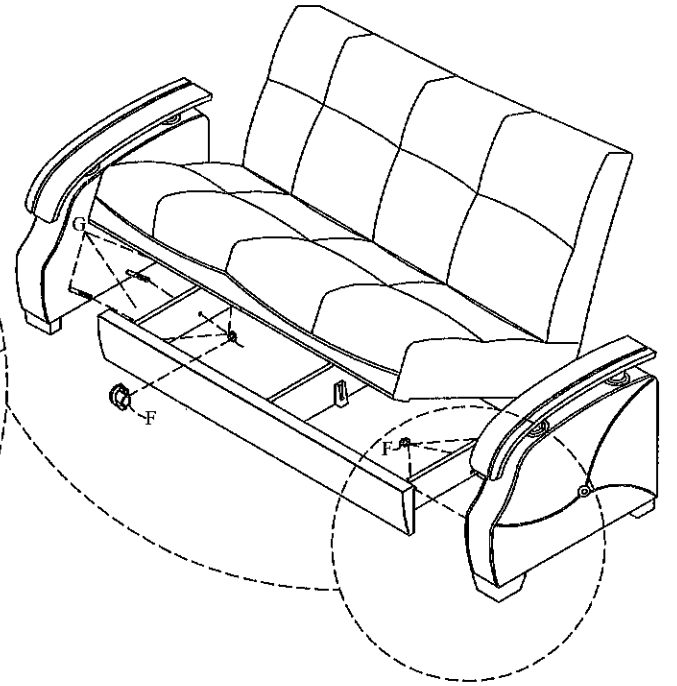
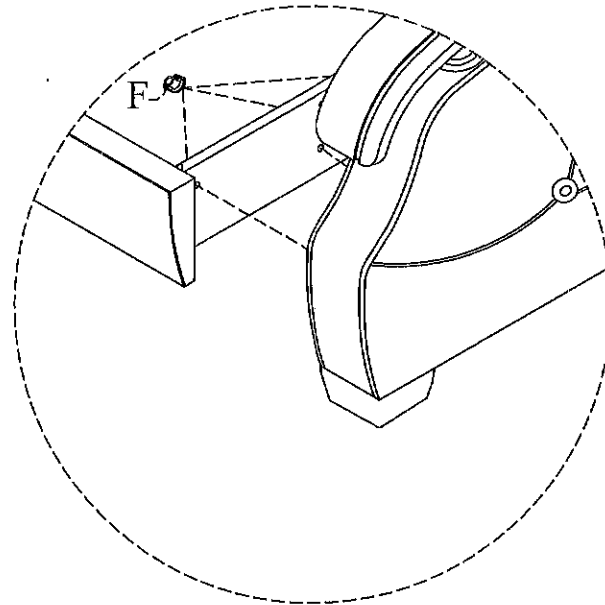
03



04



06



- | | | | | | | | | |
|--------------------|--------------------|--------------------|--------------------|--------------------|---------------------|--------------------|--------------------|--------------------|
| <p>A</p> <p>X4</p> | <p>B</p> <p>X4</p> | <p>C</p> <p>X8</p> | <p>D</p> <p>X4</p> | <p>E</p> <p>X4</p> | <p>F</p> <p>X10</p> | <p>G</p> <p>X6</p> | <p>H</p> <p>X2</p> | <p>I</p> <p>X6</p> |
|--------------------|--------------------|--------------------|--------------------|--------------------|---------------------|--------------------|--------------------|--------------------|