



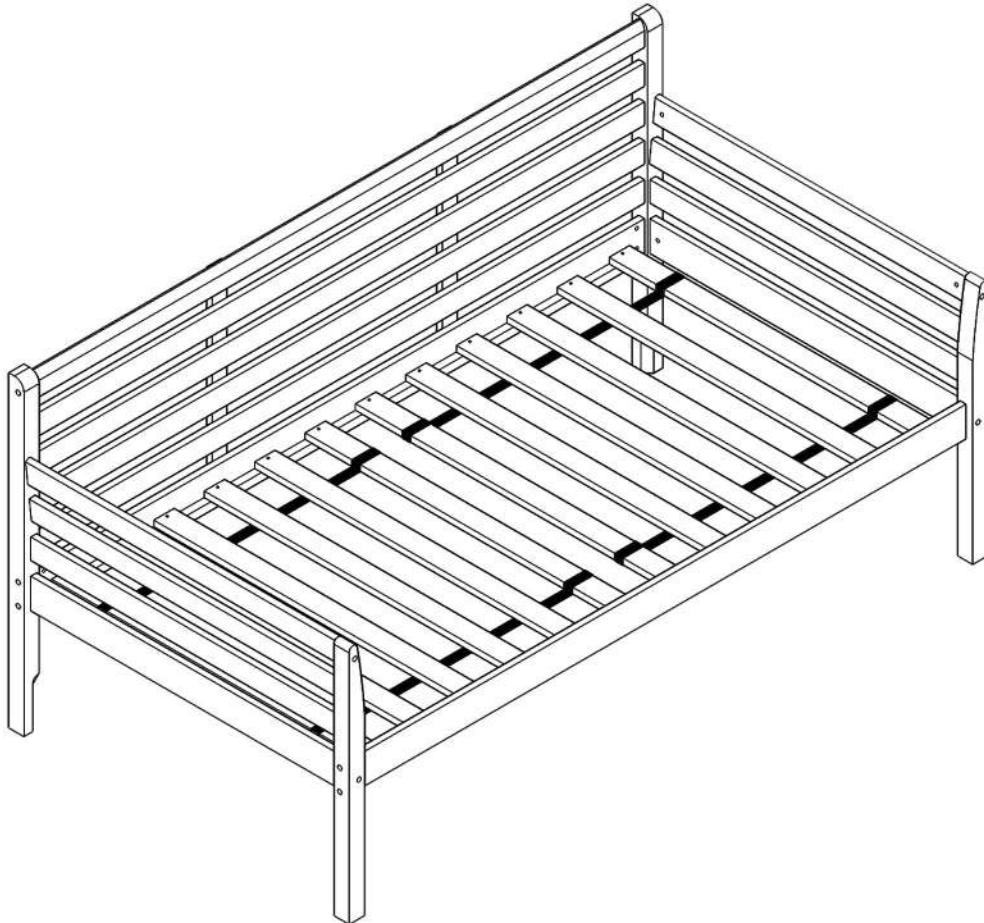
DO NOT RETURN TO RETAILER
IF YOU HAVE ANY
QUESTIONS OR CONCERNS
PLEASE CALL
KODIAK FURNITURE
AT 651-641-0281
MONDAY- FRIDAY 8AM TO 3:30 PM CST

OR EMAIL TO
info@kodiakfurniture.com
OR VISIT OUR WEBSITE AT
www.kodiakfurniture.com

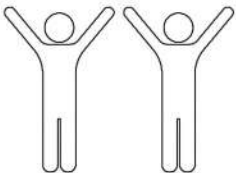


Boho Daybed

Assembly Instructions



Required:



Tools Needed:



Allen Key provided

Please cover floor with corrugated cardboard / paper / carpet
to avoid scratches / damages to floor

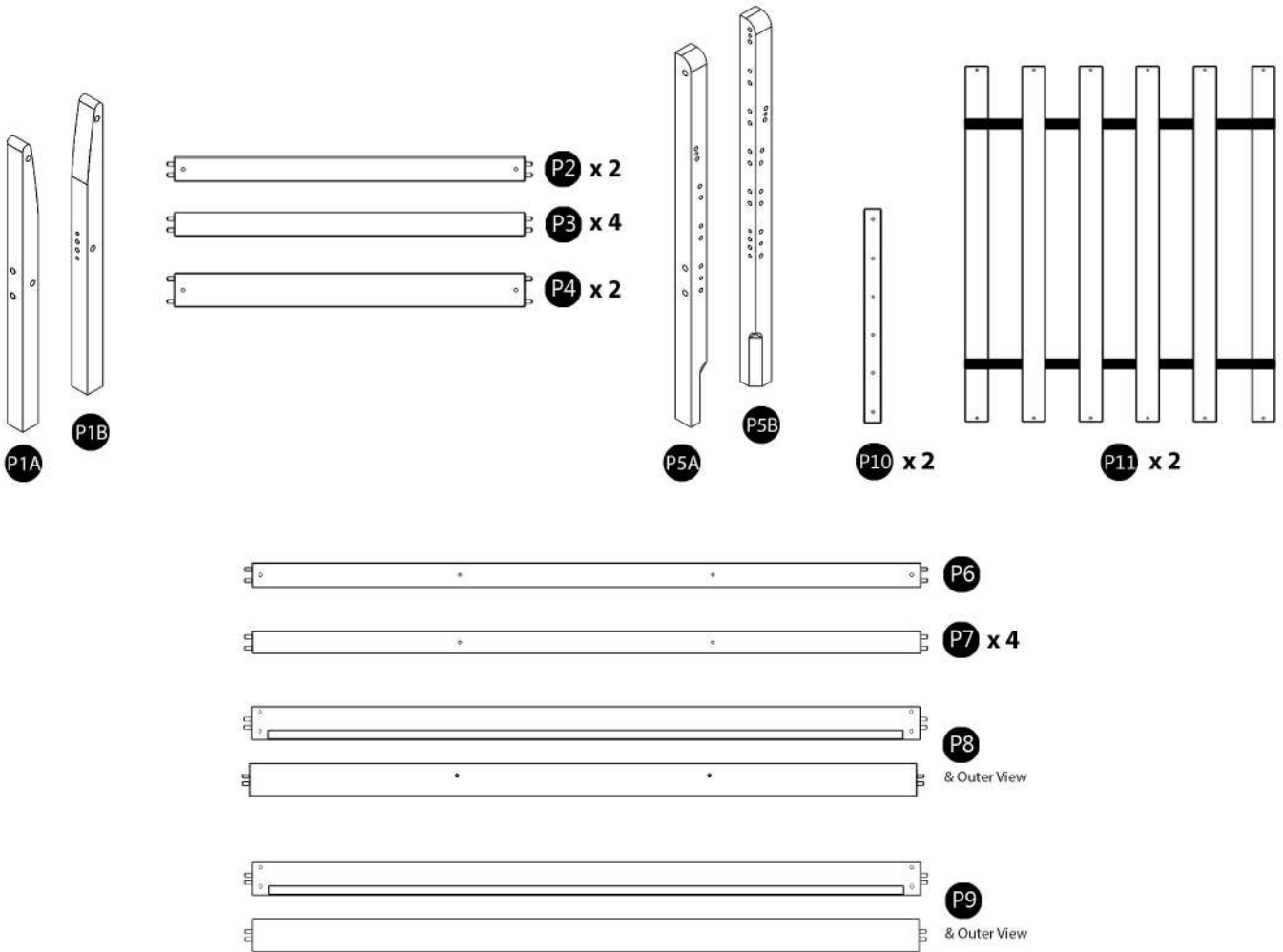
Assembly Checklist

Please make sure that you have all of the below items before you start. If any are missing, please contact us for a replacement.

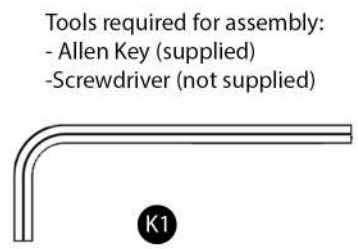
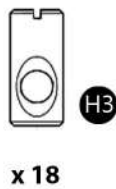


Parts supplied for assembly

Box A

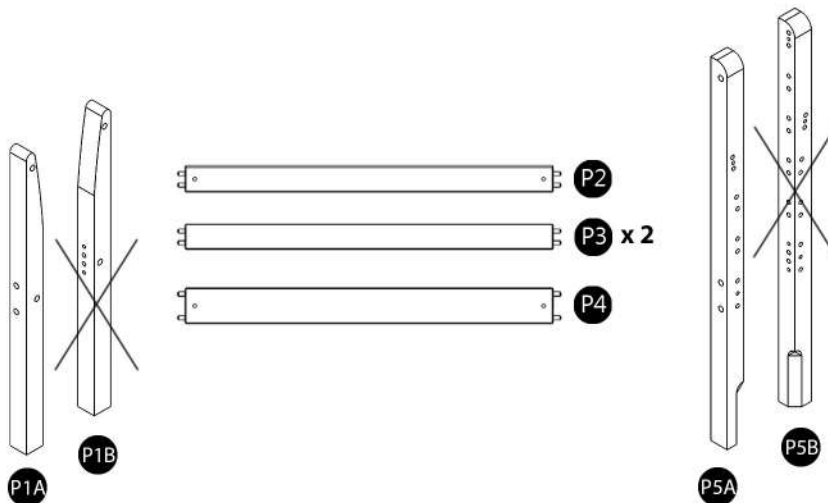
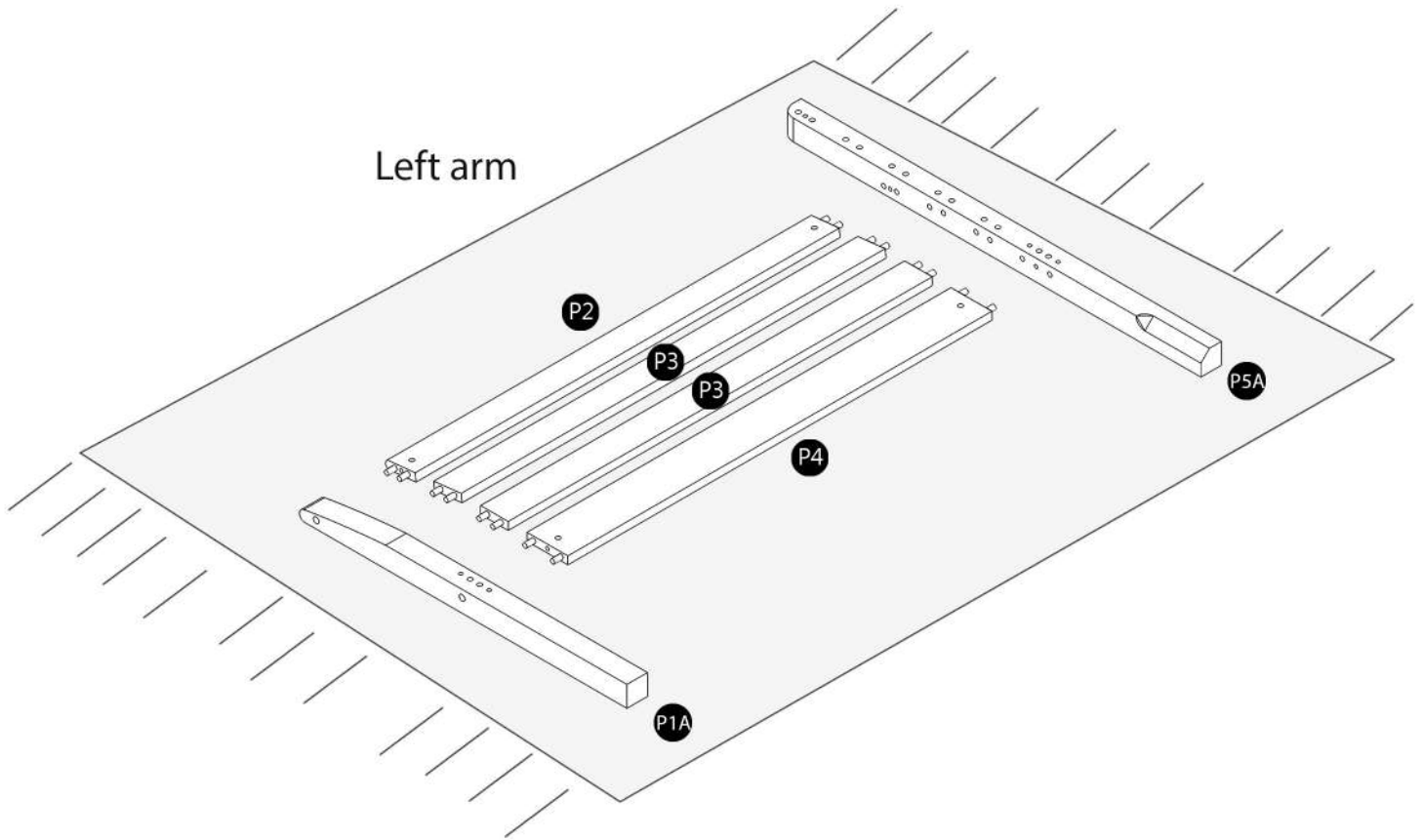


Hardware supplied for assembly

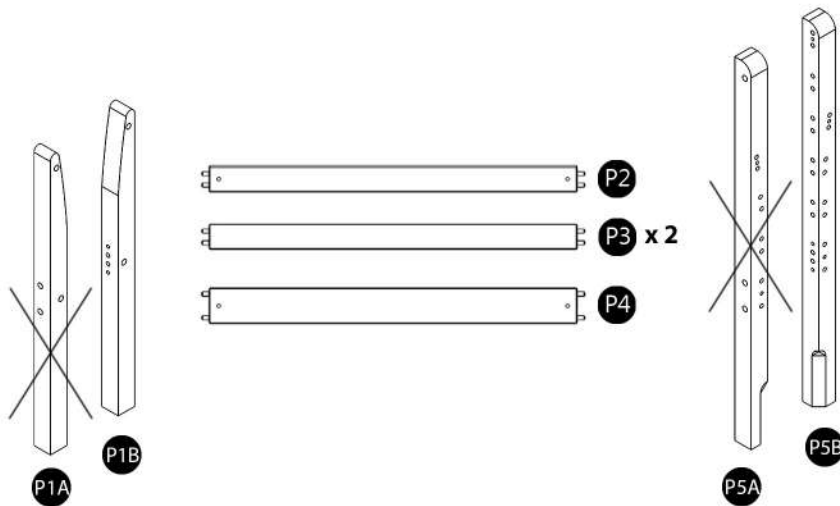
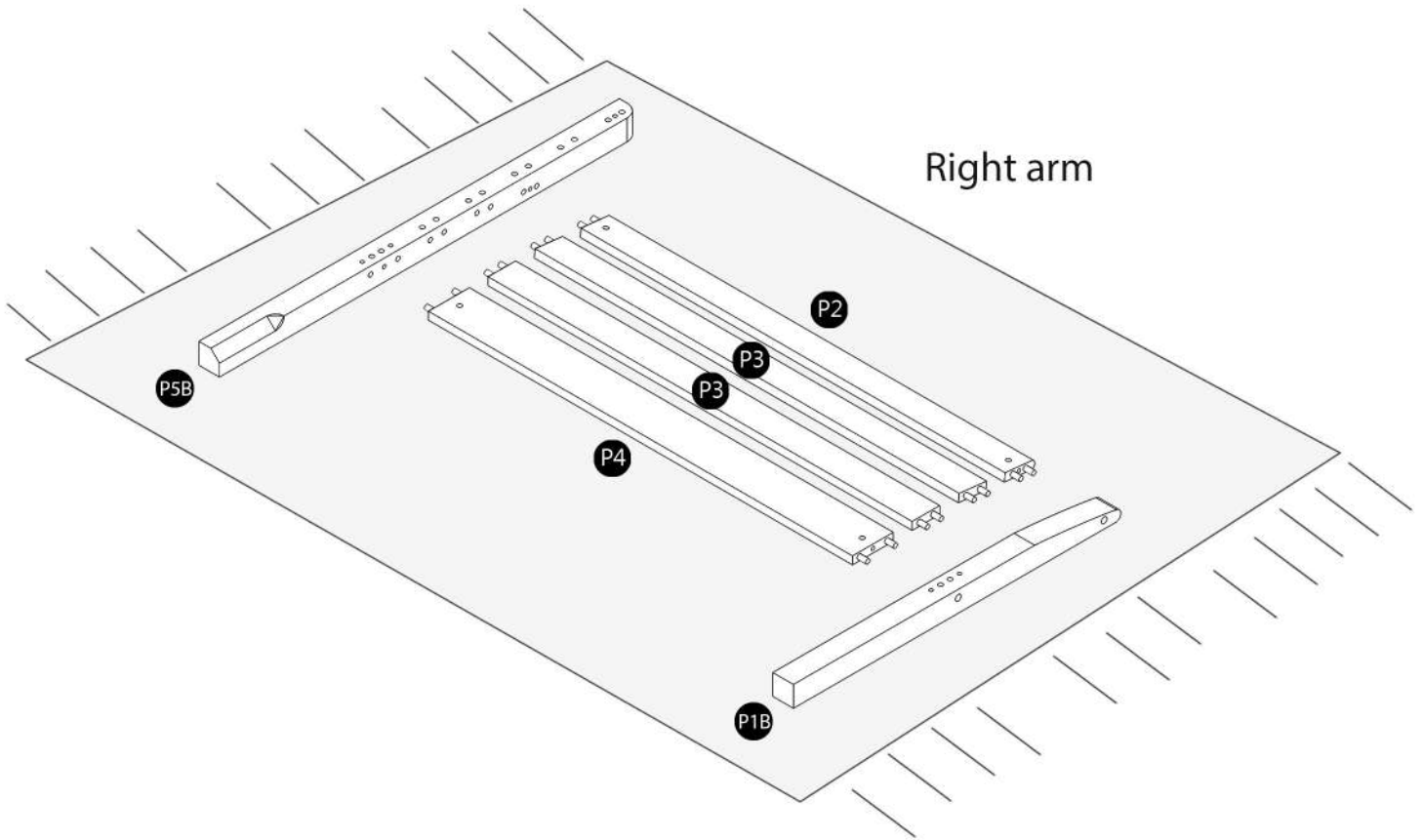


Tools required for assembly:
- Allen Key (supplied)
- Screwdriver (not supplied)

Step 1: Locate parts P1A, P2, P3(2), P4 & P5A

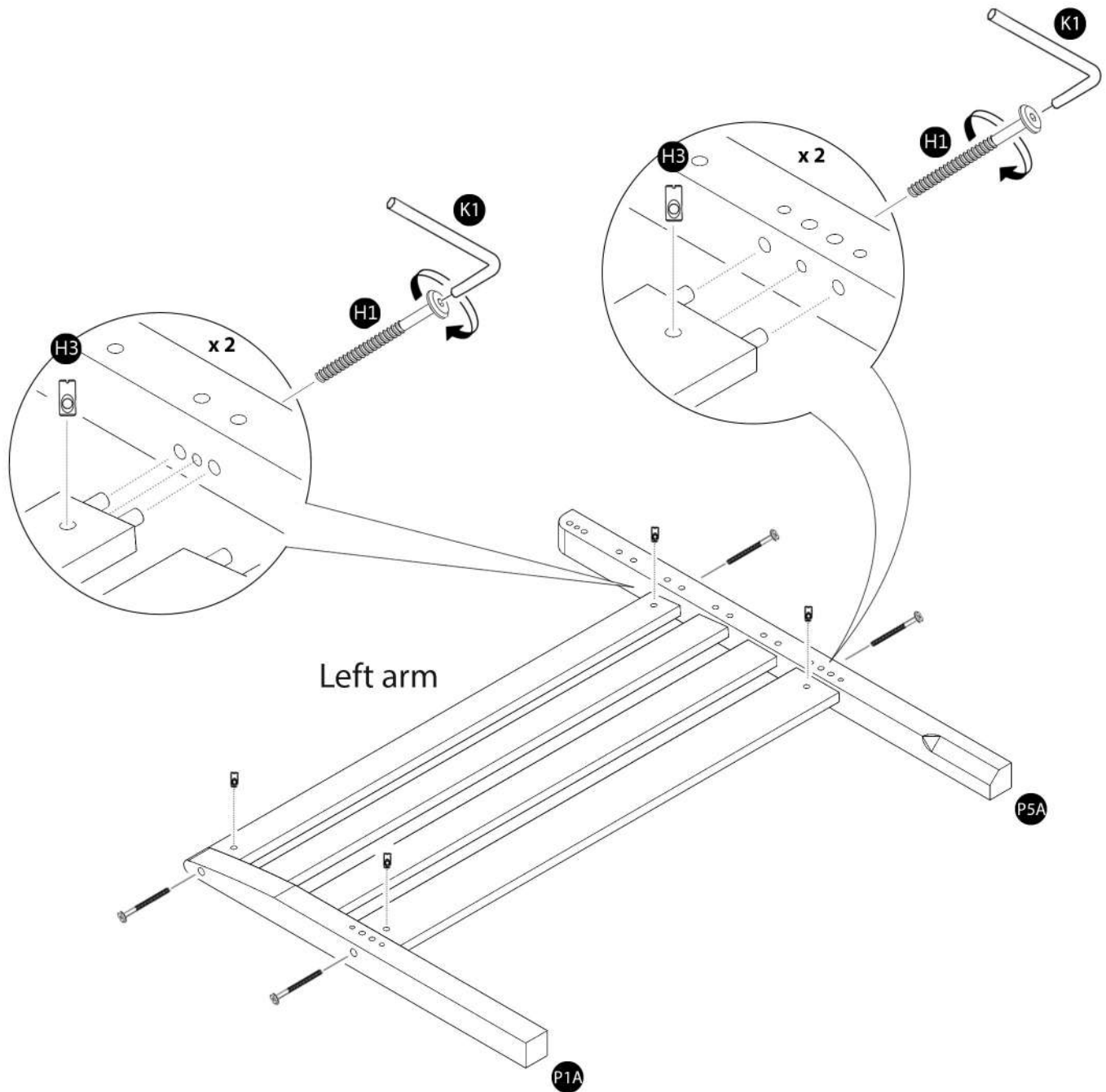


Step 2: Locate parts P1B, P2, P3(2), P4 & P5B



Step 3: Attach P1A and P5A to P2, P3(2), P4 with hardware as shown

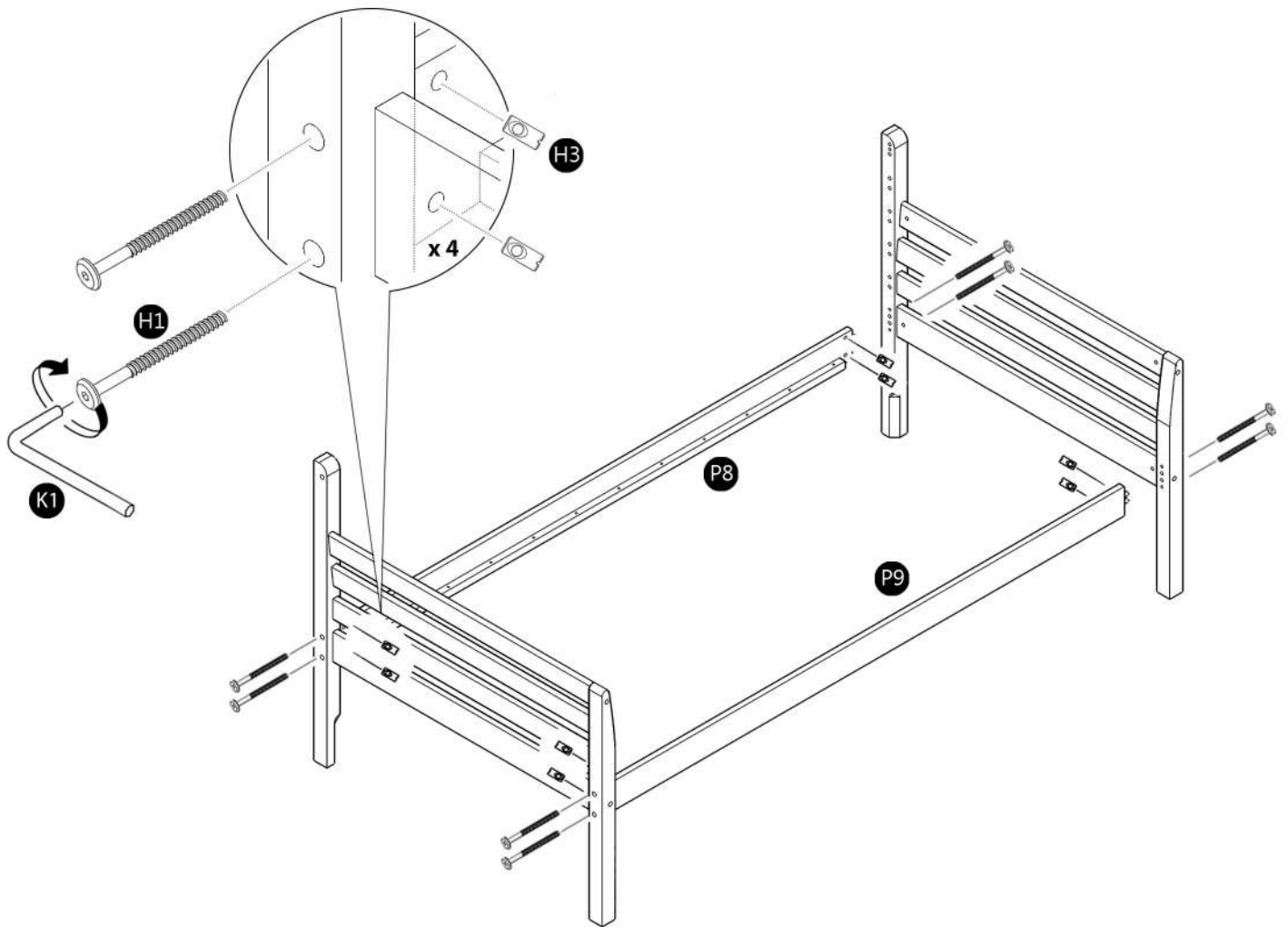
Repeat the same step for other right arm P1B & P5B with same hardware as shown.



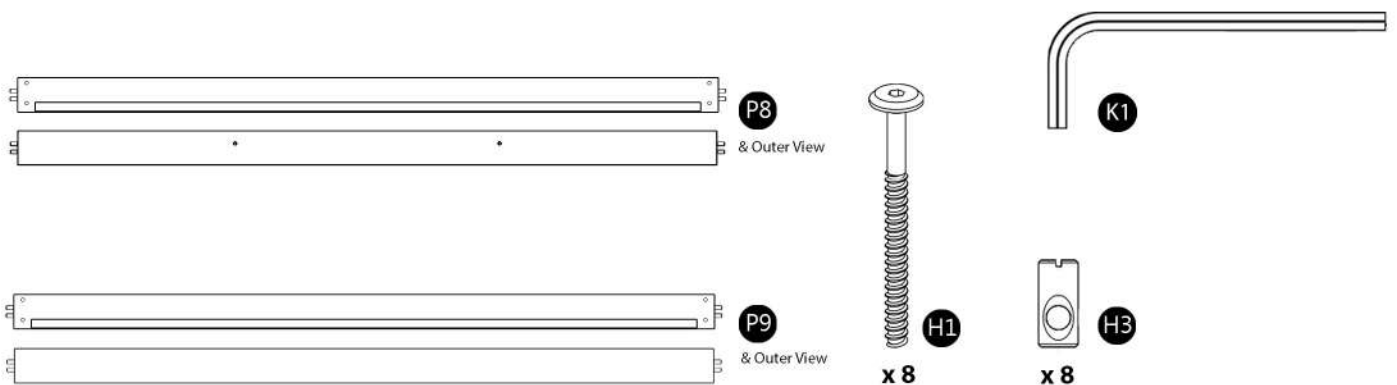
Tighten all bolts at this point.



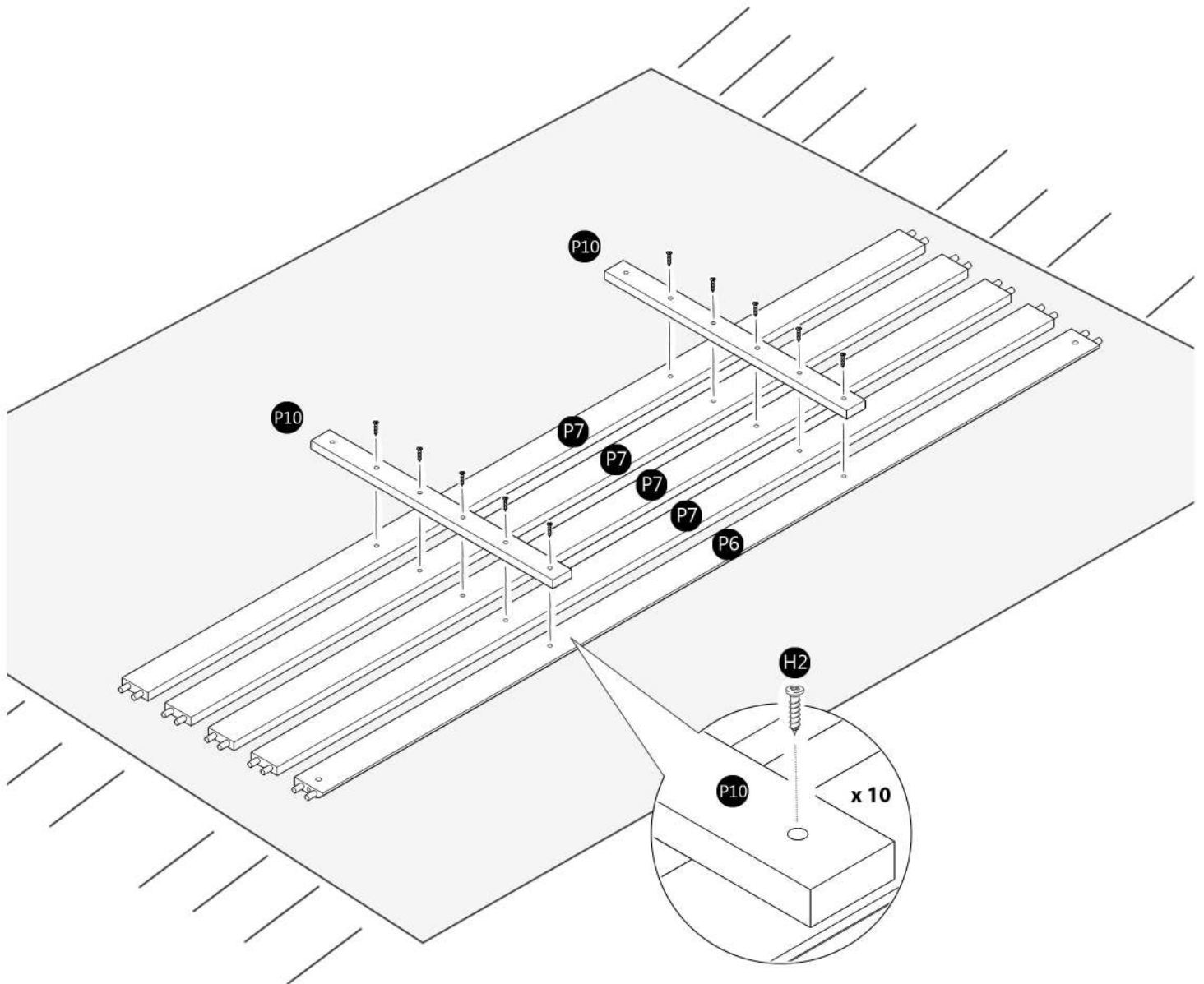
Step 4: Attach P8 & P9 to both arms



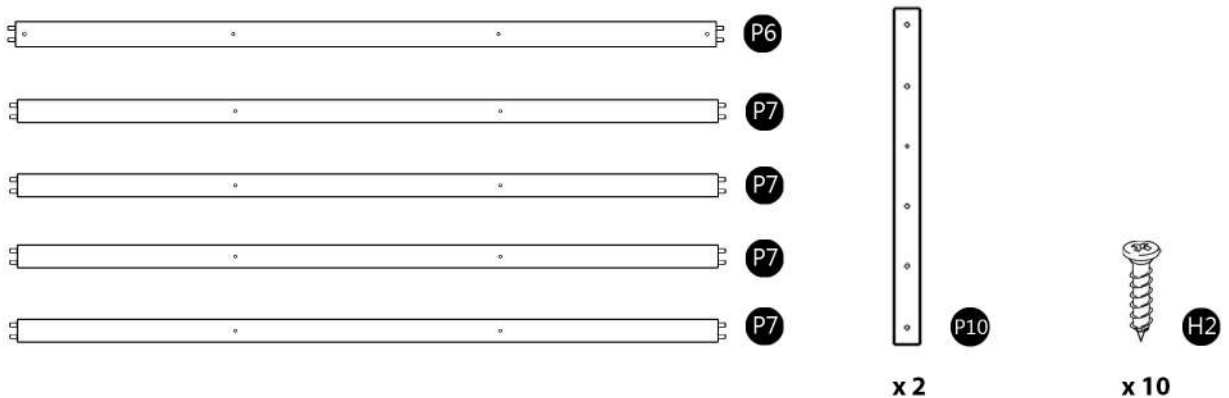
IMPORTANT! Loosely attach H1 bolts at this step.



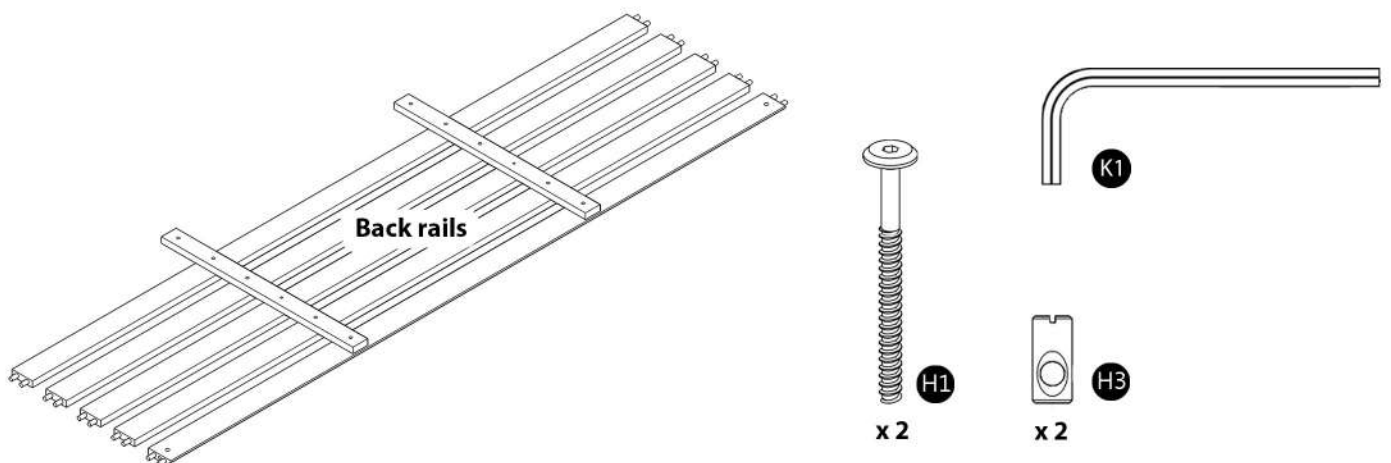
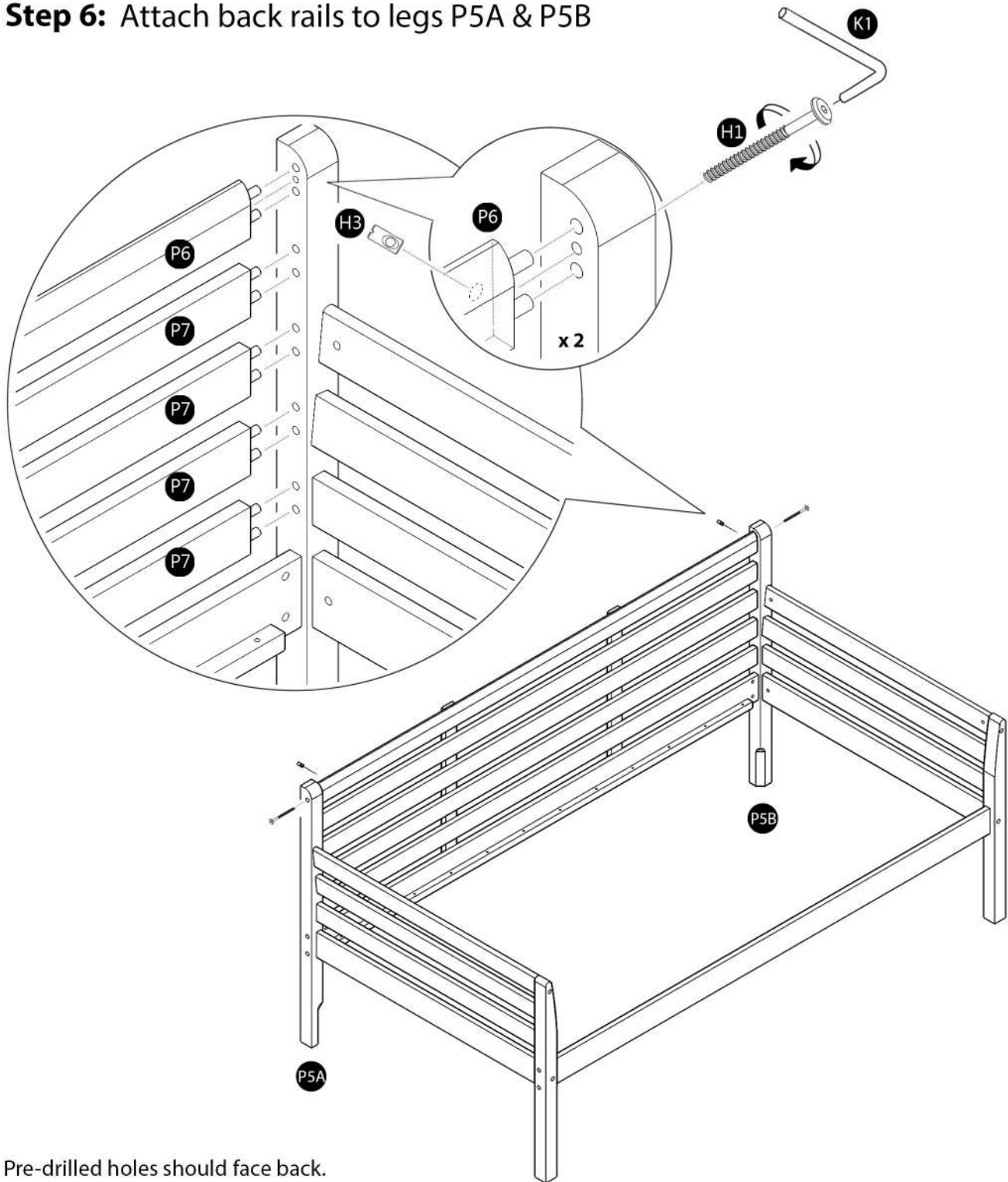
Step 5: Attach P10(2) to P6, P7(4) with hardware as shown



Tighten all bolts at this point.

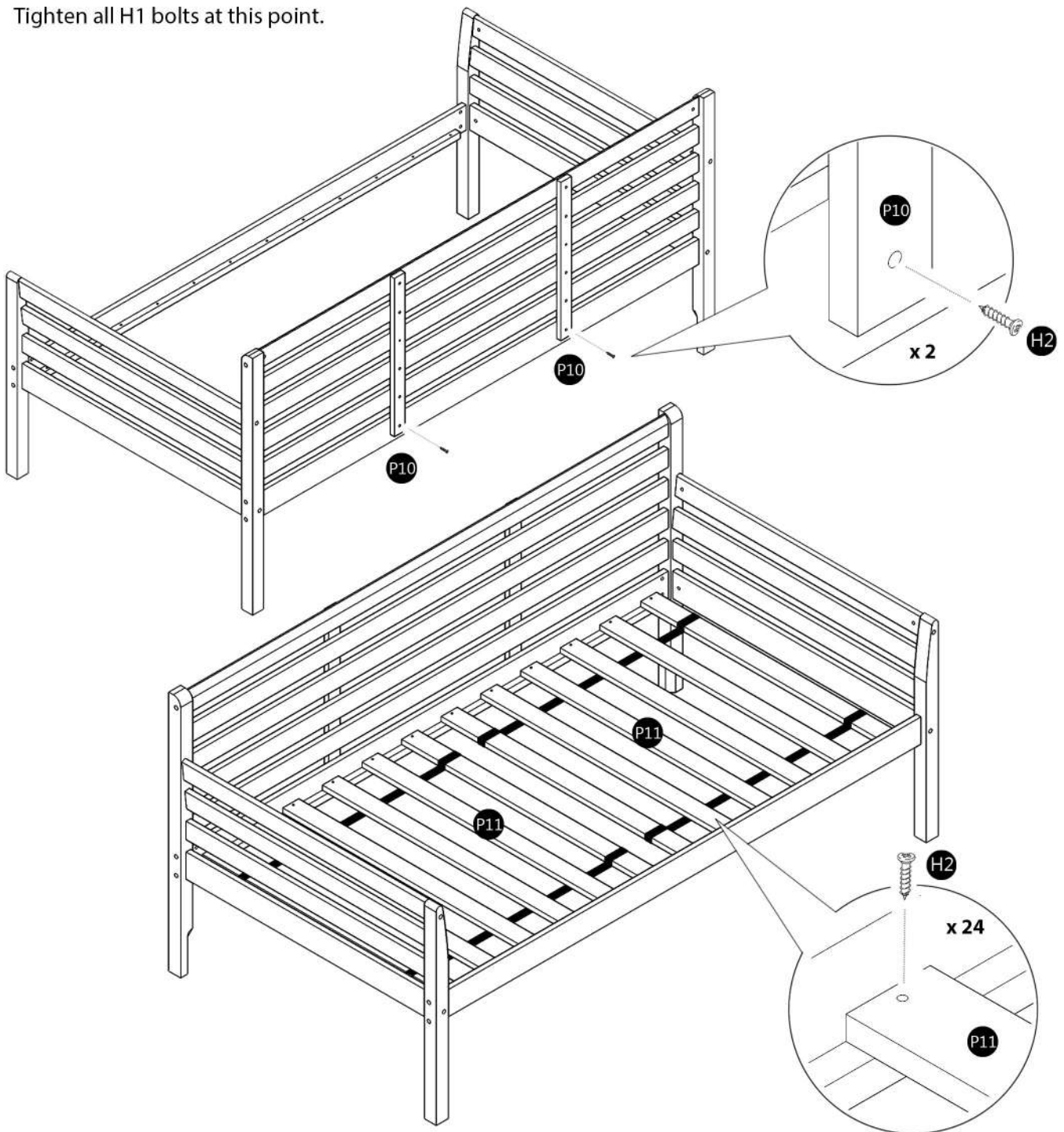


Step 6: Attach back rails to legs P5A & P5B



Step 7: Secure P10(2) with hardware as shown

Tighten all H1 bolts at this point.



Step 8: Attach P11(2) with hardware as shown

Tighten all bolts at this point.

