

①  Stud Bolt 5/16 x6

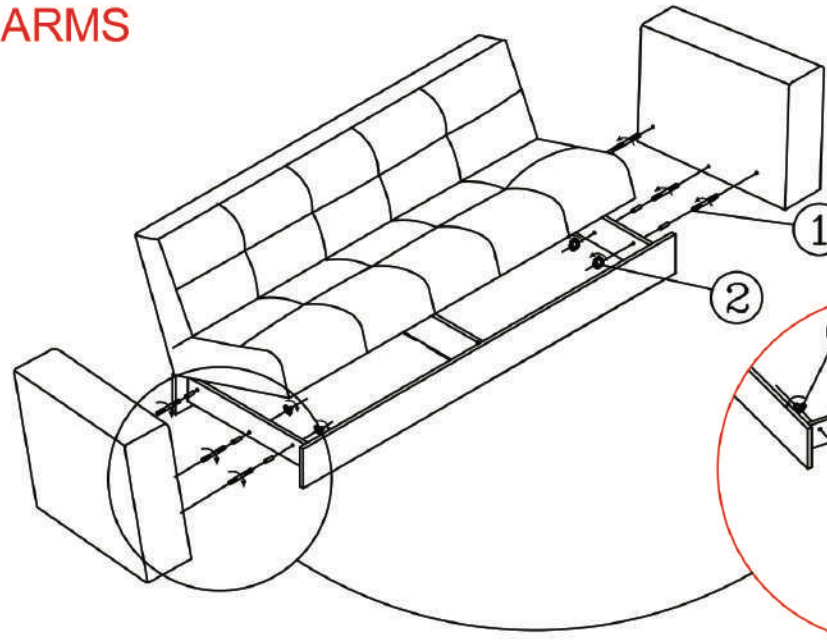
②  Butterfly Nut 5/16 x6

③  SCREWS 5X70 x12

④  LEGS x4

⑤  ONLY FOR  
SOFA AND LOVESEAT  
Support Leg x1

## ARMS



## ASSEMBLY INSTRUCTIONS

### ARM ASSEMBLY

- Keeping the furniture in seating position get access to storage space
- Connect the arms with bolts(1) and butterfly nuts(2)

### LEG ASSEMBLY

- Lay the furniture on its back
- Connect the legs under the arms with screws (3)
- Use 3 screws per leg

## LEGS

