

HINTS & TIPS

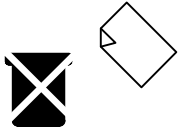


Assembly Instruction

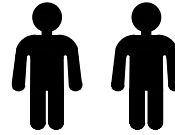
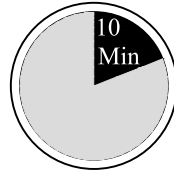
MOE'S

home collection

Moe's Item# OT-1008-30



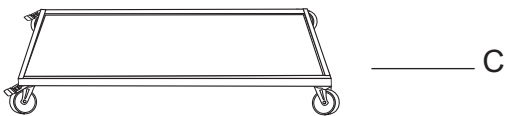
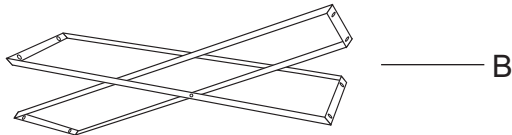
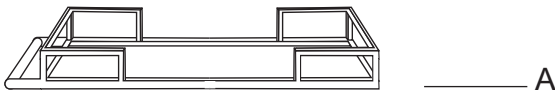
Please retain this assembly instruction for future use.



This assembly requires two people

PLEASE READ this sheet prior to assembly to familiarize yourself with the various stage of construction. carefully open the pack supplied and check the contents against the part and fittings check list.

Do not destroy any of the packing until you are certain that you have all the necessary parts for the assembly.



ITEM	Description	Qty
A	TOP PART	01
B	MIDDLE PART	01
C	BOTTOM PART	01
D	CLEAR GLASS	01
E	BLACK GLASS	01

CARE & MAINTENANCE

To maintain the appearance of your unit, clean regular dusting with a soft cloth will be adequate. For grime stains, wipe with a damp cloth and mild detergent.



Sr. No.	Description	Qty
A	 Allen Bolt	08
B	 Allen-Key	02

Figure 1

Place Bottom Part(C) on a soft flat surface & Put Middle Part (B) on Bottom Part (C) align the bolt holes & fixing Part with Allen Screw (AA) with Allen Key (BB).

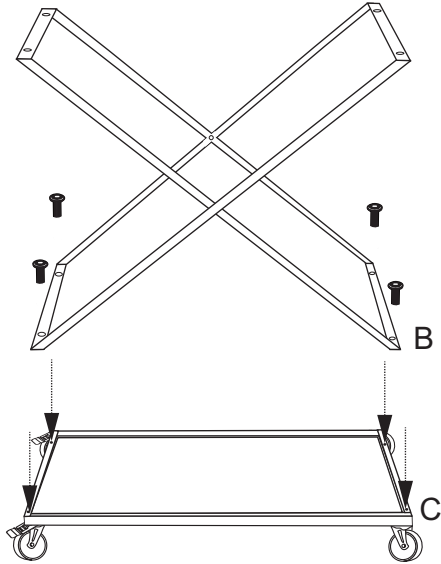


Figure 2

Put Top Part (A) on the Middle Part (C) and fixing Part with Allen Screw (AA) with Allen Key (BB).

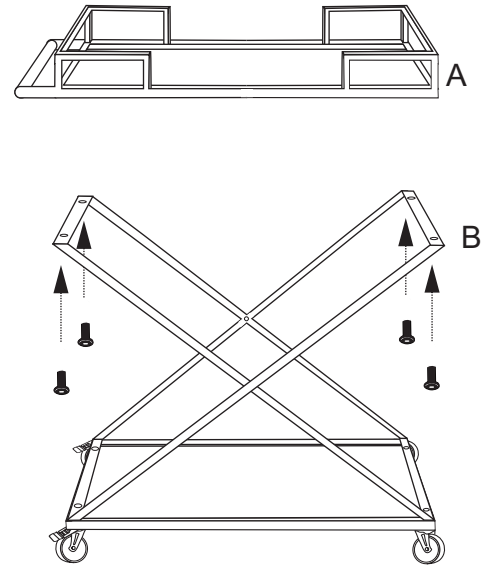
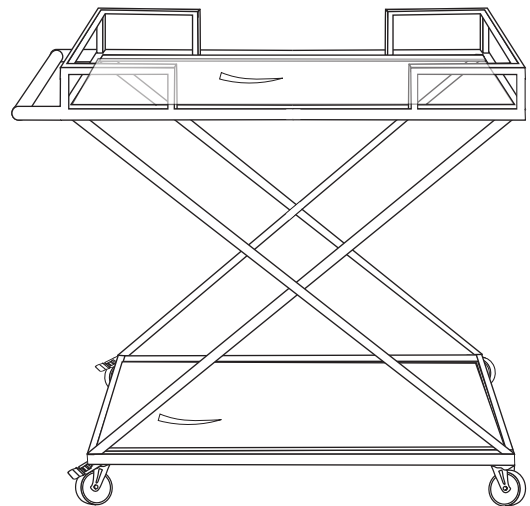
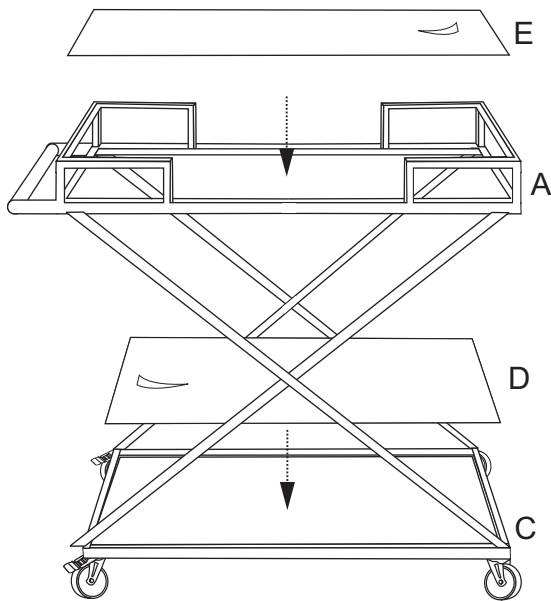


Figure 3

Put Black Glass (D) on the Bottom Part (C) & Put Clear Glass (E) on the Top Part (A).



{Assembled Piece}