

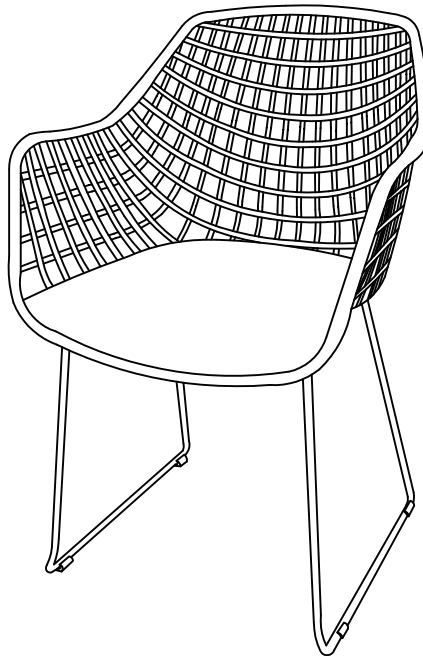
MOE'S

home collection

ASSEMBLY INSTRUCTIONS.

HONOLULU CHAIR WHITE-M2



QX-1007-18






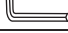


THANK YOU FOR YOUR PURCHASE!

PARTS AND HARDWARE.

PARTS LIST

No.	DESCRIPTION	IMAGE	Q'TY
P1	SEAT		1
P2	METAL LEGS		1

HARDWARE LIST

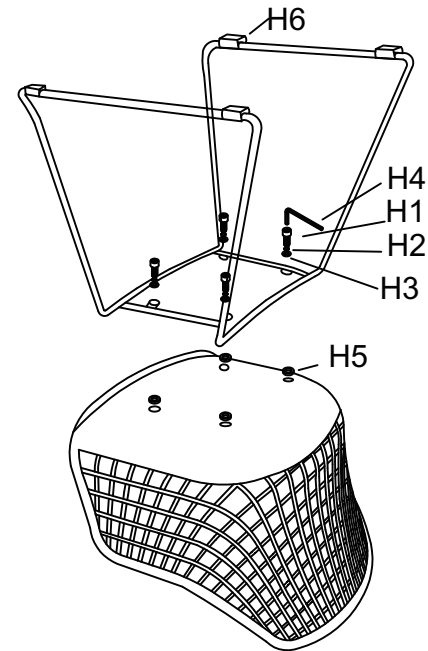
No.	DESCRIPTION	IMAGE	Q'TY
H1	BOLT (6X16MM)		4
H2	SPRING WASHER (6X10X1MM)		4
H3	FLAT WASHER (6X18X2MM)		4
H4	ALLEN KEY		1
H5	BLACK WASHER		4
H6	BLACK FEET		4

NOTES.

Thank you for purchasing this quality product! Be sure to check all packing material carefully for small part that may have come loose inside the carton during shipping.

CAUTION: Ensure not to overtighten screws to reduce the risk of stripping or breakage.

STEP 1.



STEP 2.

