

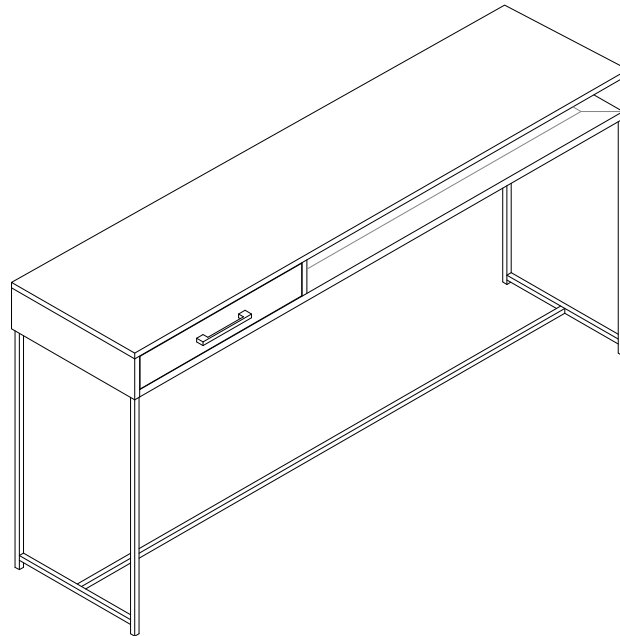
# MOE'S

home collection

## **ASSEMBLY INSTRUCTIONS.**

COLVIN CONSOLE TABLE

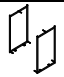
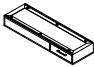

SR-1027-24






THANK YOU FOR YOUR PURCHASE!

## PARTS AND HARDWARE.

### PARTS LIST

No.	DESCRIPTION	IMAGE	QTY
A	METAL FRAME		2
B	BODY		1
C	METAL BOTTOM RAIL		1

### HARDWARE LIST

No.	DESCRIPTION	IMAGE	QTY
D	BOLT M6, 12MM		12
E	BOLT M6, 15MM		2
F	ALLEN KEY 4MM		1

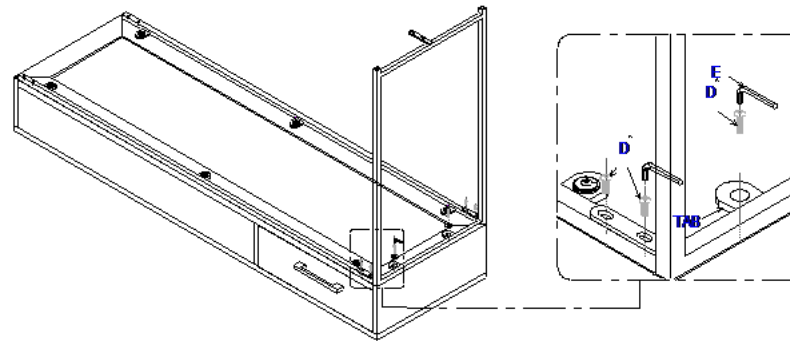
## NOTES.

Thank you for purchasing this quality product! Be sure to check all packing material carefully for small part that may have come loose inside the carton during shipping.

**CAUTION:** The item is heavy, assembly should be performed by two people.

## STEP 1.

Align Tabs of Metal Frame (A) onto Slots of the Frame which is attached with the Bottom of the Console Frame (B) as shown below in diagram, Insert Allen Bolt (E) and tighten with Allen Key (F). & also align the Metal Clip on the Metal with the Fasteners Inserted into the Console Bottom Frame (B). Now, Insert Allen Bolt (D) tighten with Allen Key (F). Repeat the same process to secure other end. Do not tighten Allen Bolts fully.



## STEP 2.

Align Tabs of Metal Bottom Rail (C) onto Slots on Metal frame assembly (A) on both ends as shown below in diagram. Insert Allen Bolt (E) and tighten with Allen Key (F). Repeat the same process on other end. Now fully tighten all Connections. Once all connections are fully tighten, Turn the table in upright position. Product is ready to use

