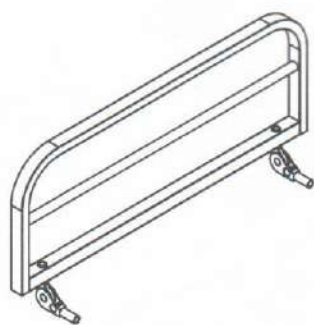
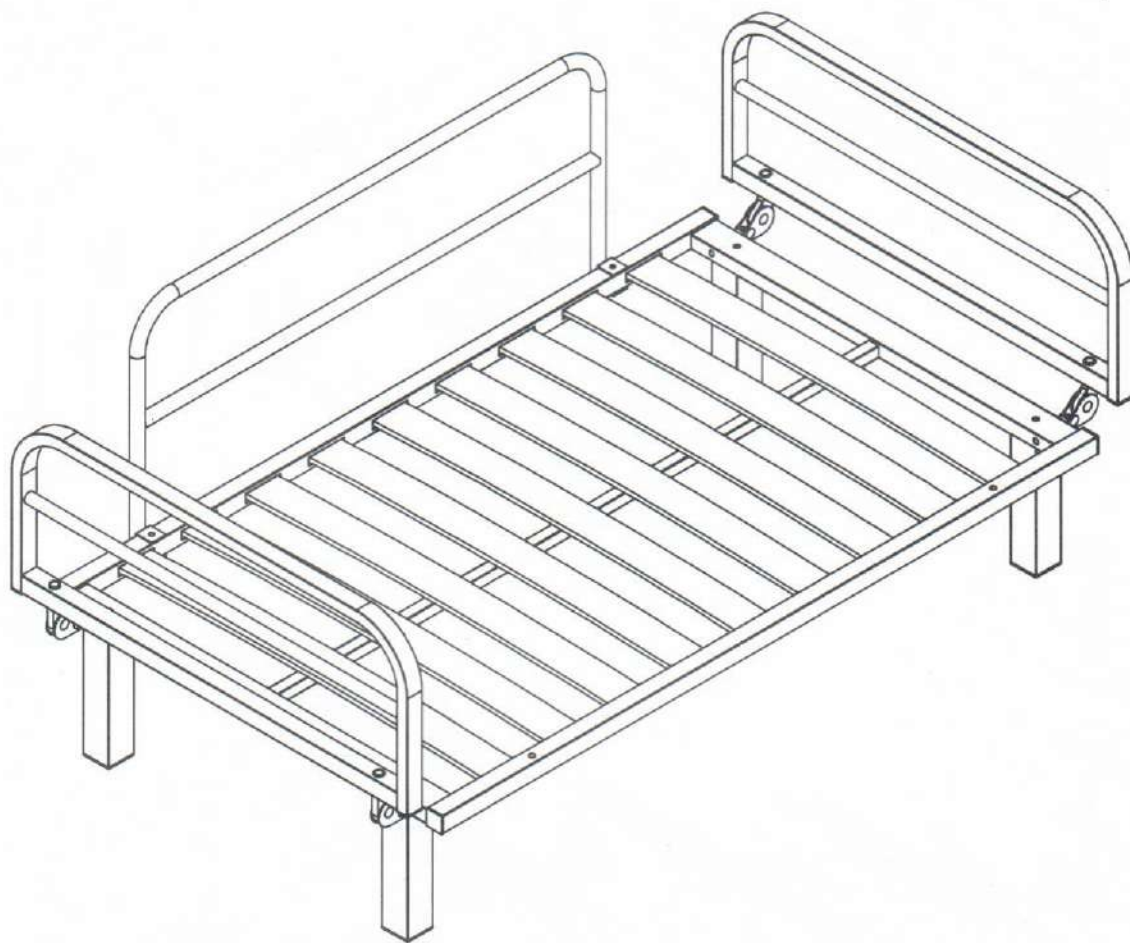


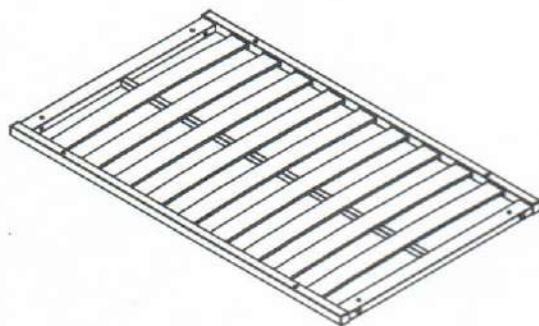
# ASSEMBLY INSTRUCTLONS



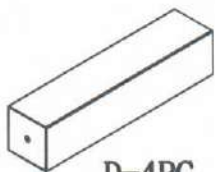
A-2PC



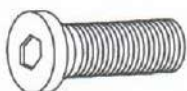
B-1PC



C-1PC



D-4PC



E-5/16X40 8PCS



F-1/4X41 2PCS



G  
2PCS



H  
1PCS



I  
1PCS



J  
4PCS

