

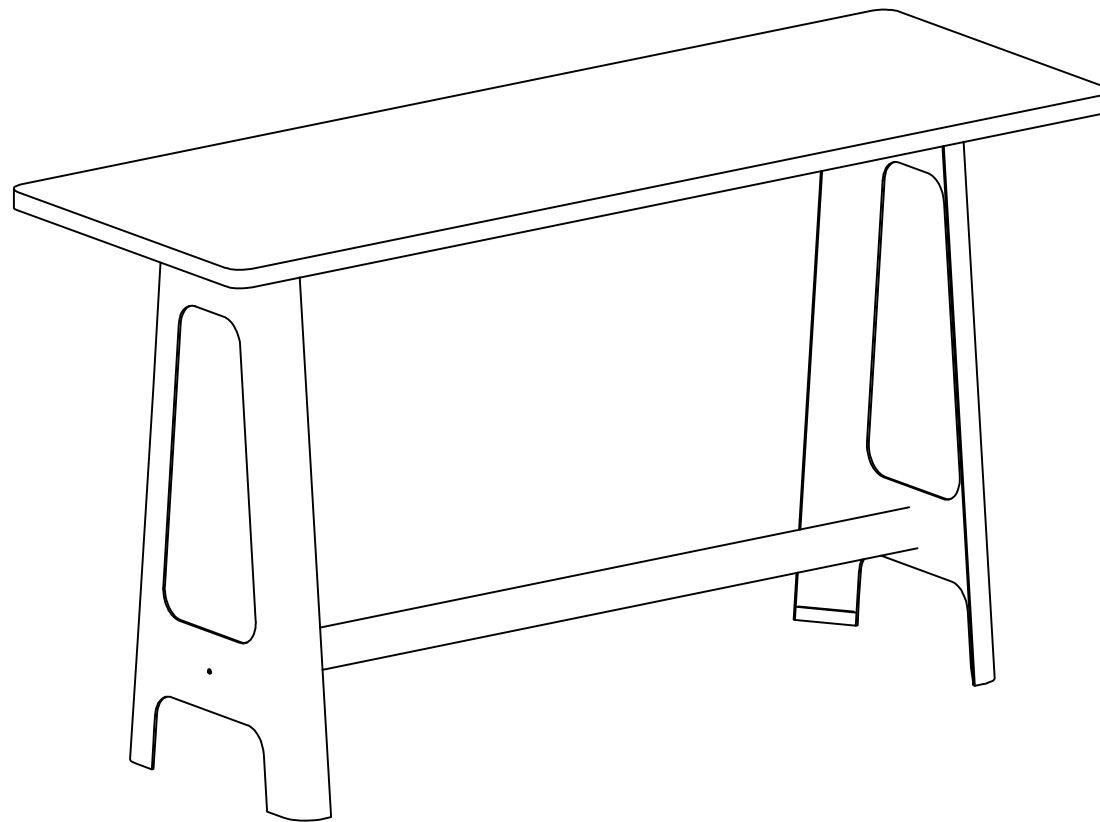
MOE'S

home collection

ASSEMBLY INSTRUCTIONS.

CRAFTSMAN BAR TABLE





UH-1016-24









THANK YOU FOR YOUR PURCHASE!

PARTS AND HARDWARE.

PARTS LIST

NO.	DESCRIPTION	IMAGE	QTY
1.	Wooden Top		01
2.	Metal Base		02
3.	Metal Mounting Plate		01
4.	Metal foot rail		01

HARDWARE LIST

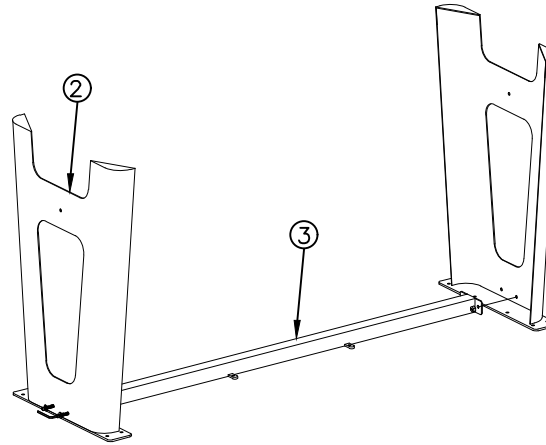
NO.	DESCRIPTION	IMAGE	QTY
5.	Allen Bolt(Big)		06
6.	Allen Bolt(Small)		16
7.	Washer		16
8.	Allen key		01
9.	Nut		04
10.	Spanner		01

NOTES.

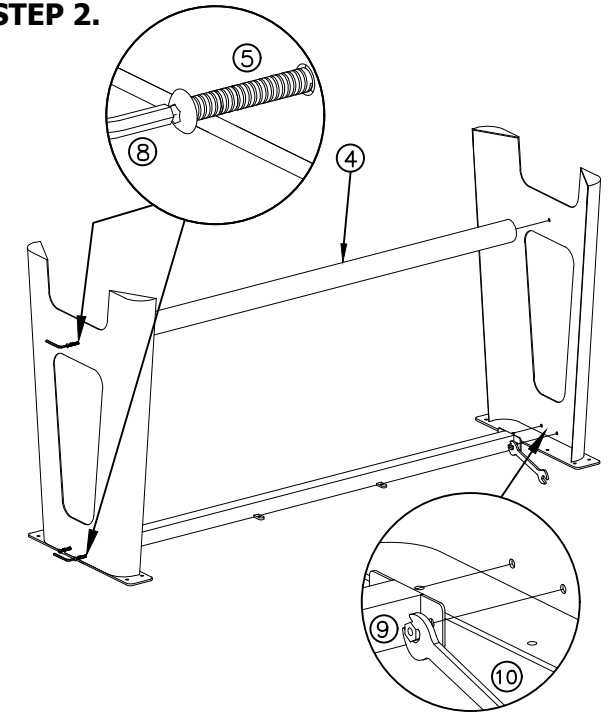
Thank you for purchasing this quality product! Be sure to check all packing material carefully for small part that may have come loose inside the carton during shipping.

CAUTION: The item is heavy, assembly should be performed by two people.

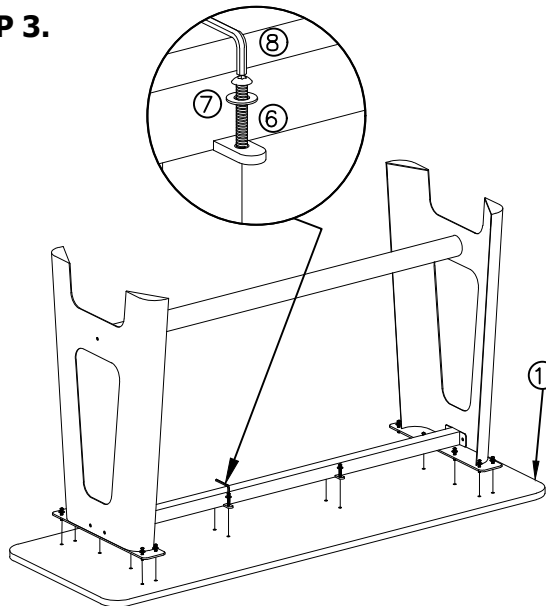
STEP 1.



STEP 2.



STEP 3.



STEP 4.

