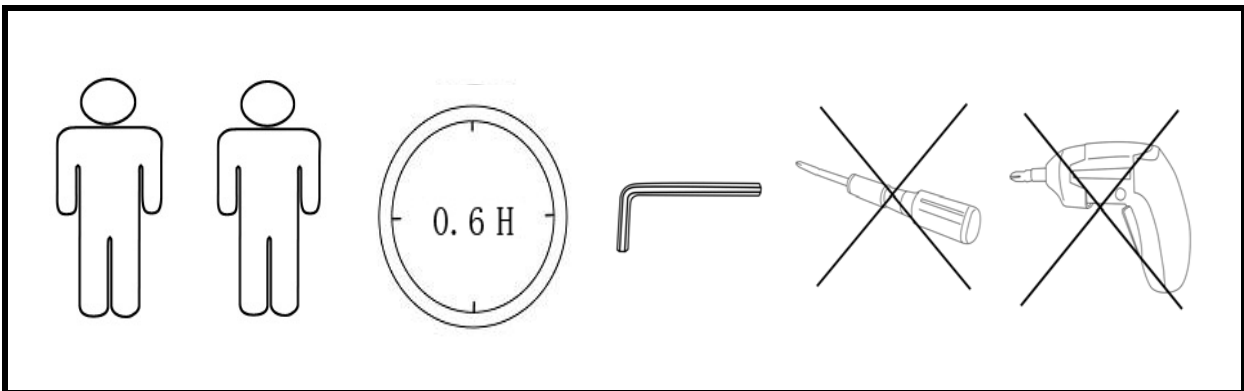
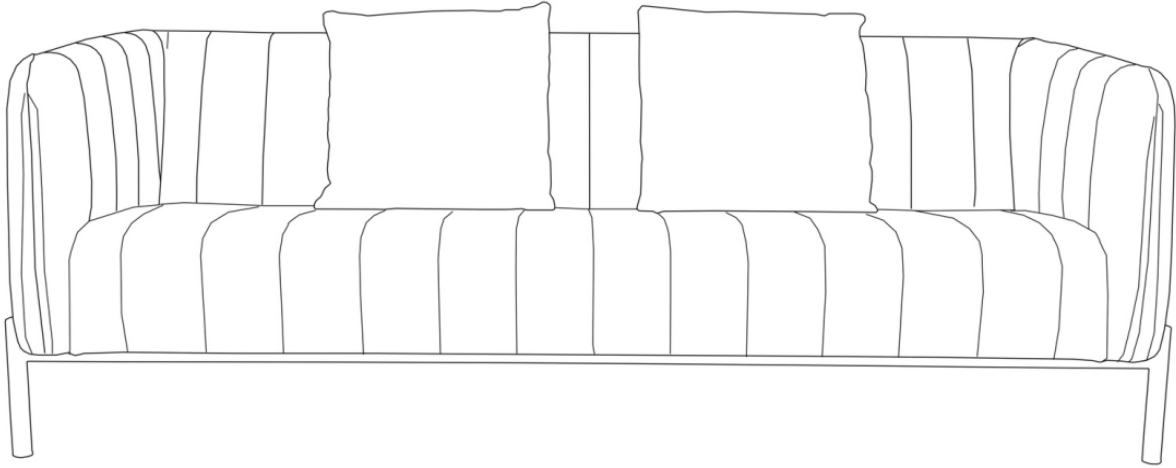


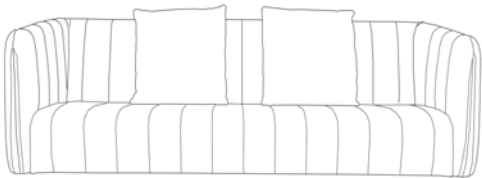
# ASSEMBLY INSTRUCTION

---



## PARTS LIST:

---



**A (x1)**



**B(x1)**

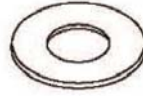
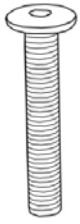


**C(x2)**



**D(x1)**

---



① M8\*50mm(x7)    ② M8\*25mm(x4)     $\phi 8(x5)$     5#(x1)

---

