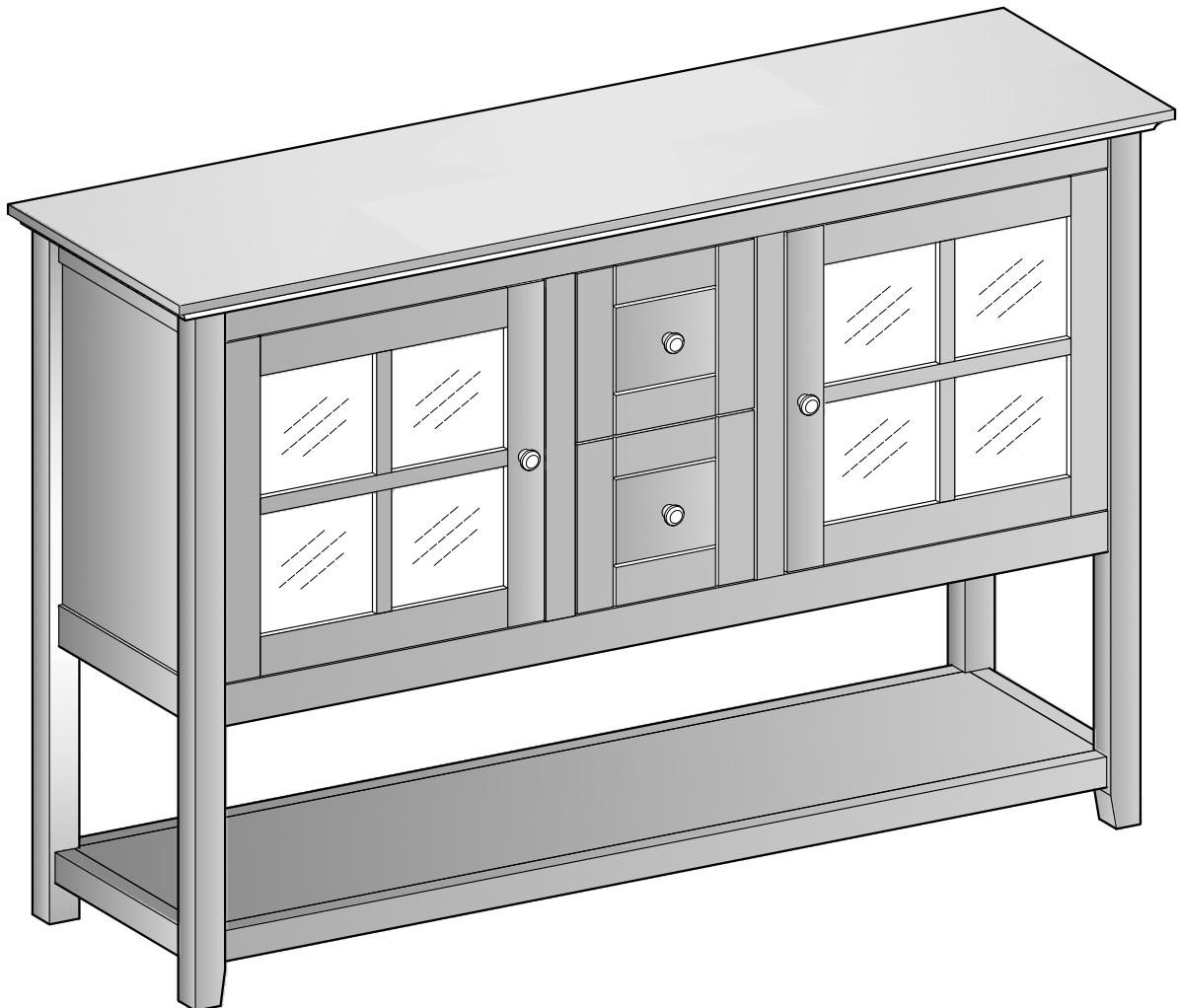




Walker
Edison

furniture company

Item #: W52C4CT
Assembly Instructions

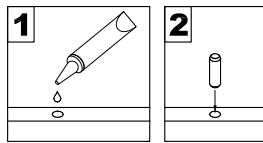


For our most current instructions, to request missing, lost or broken parts, or for any other Customer Service issues, please visit our website at www.walkeredison.com or call us at 877-207-5906.

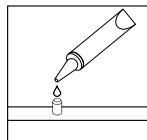
Revised 07/2012

General Assembly Guidelines

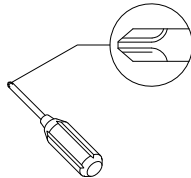
- I. Ensure that all parts and hardware are available before beginning assembly.
- II. Follow each step carefully to ensure the proper assembly of this product.
- III. Two people are recommended for ease in the assembly of this product.
- IV. The main types of hardware used to assemble this product are wood dowels, cam bolts and locks, bolts and screws.
- V. The provided glue is to secure wood dowels in place. When first inserting dowels, locate the appropriate hole for the dowel, place a small amount of glue in the hole and insert the dowel. Wipe away excess glue immediately.



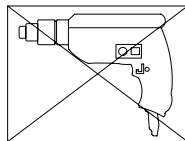
In future assembly steps when dowels are necessary to attach assembly parts together, place a small amount of glue on the end of the dowel before attaching parts together. Wipe away excess glue immediately.



- VI. A Phillips head screwdriver is required for the assembly of this product.

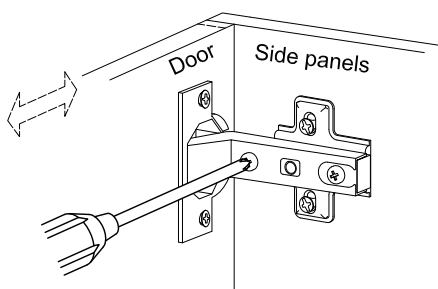


- VII. Power tools should not be used to assemble this product.

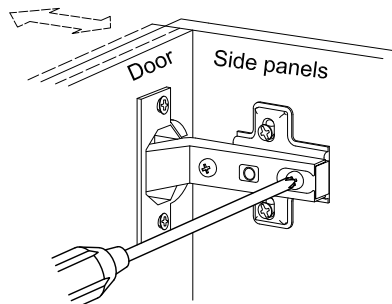


- VIII. The hinges of this product can be adjusted three ways:

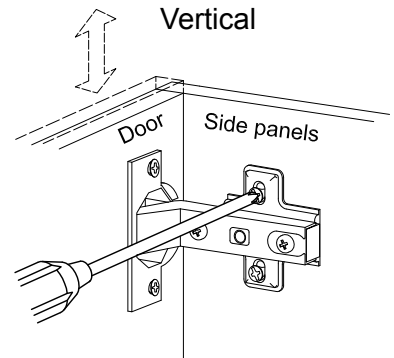
Horizontal



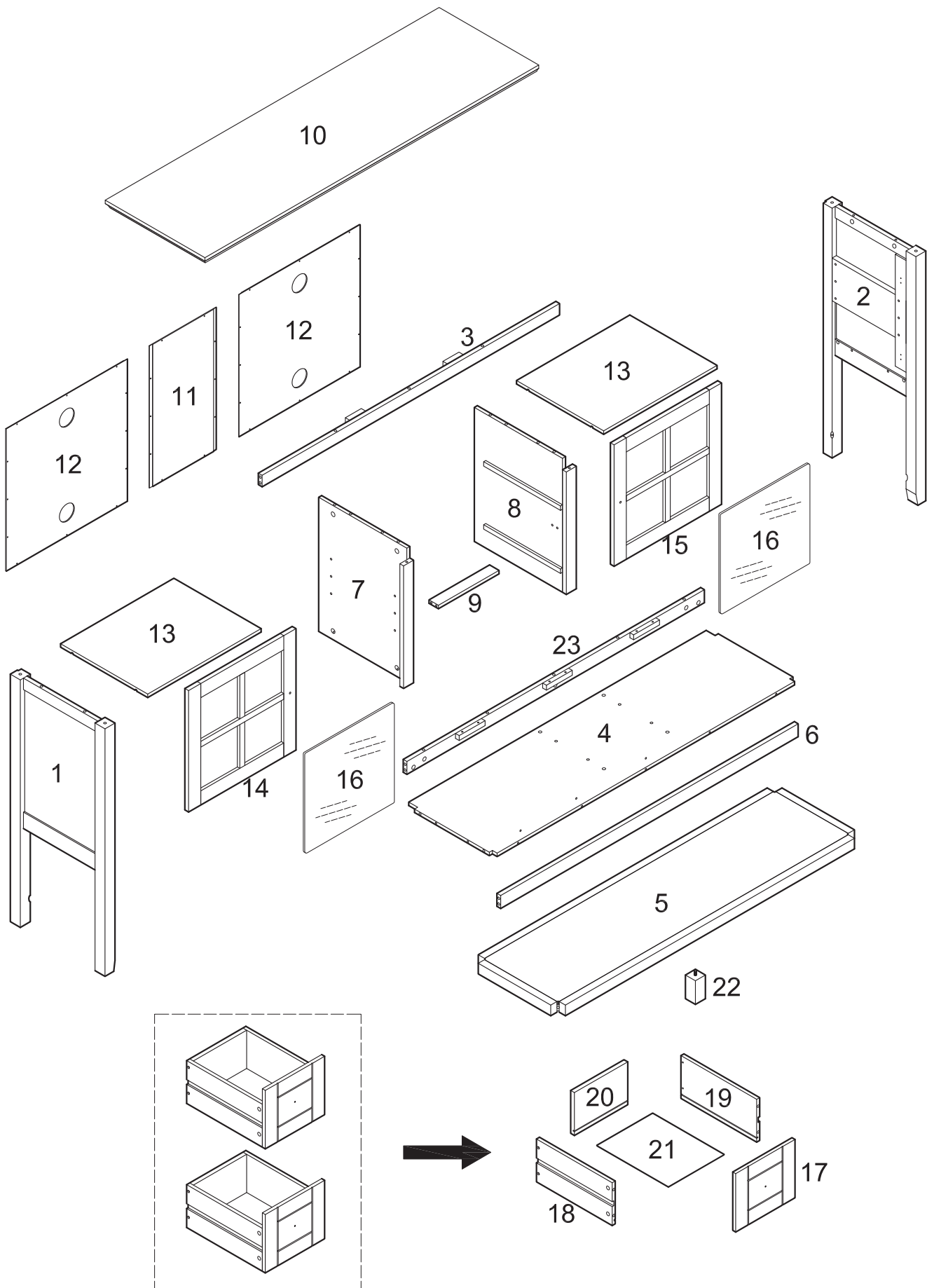
Forward and Back






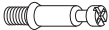

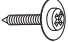





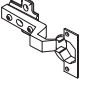
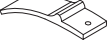
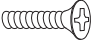


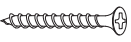





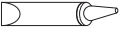
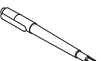
Vertical



Parts List

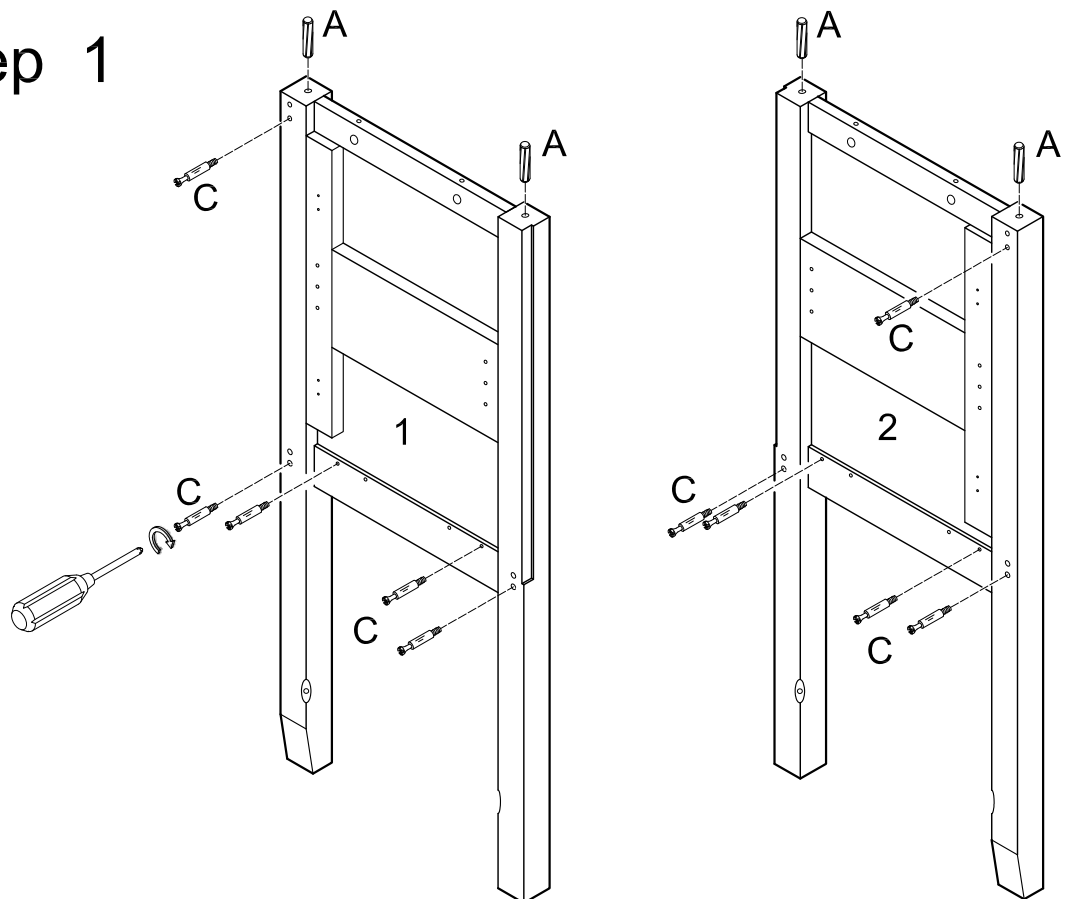


Hardware List

A		Ø8x30	Wood dowel	12 pcs
B		Ø6x30	Wood dowel	22 pcs
C		Ø6x32	Cam bolt	23 pcs
D		Ø8x30mm	Cam bolt	14 pcs
E		Ø15x9.5	Cam lock	37 pcs
F		Ø7x3x12	Screw	28 pcs
G		Ø8x5x16	Shelf support pin	8 pcs
H		Ø24x21	Handle	4 pcs
I		Ø9x5/32"x3/4"	Bolt	4 pcs
J			Sticker	12 pcs
K		Ø12x0.5	Metal washer	16 pcs
L			Hinge	4 pcs
M			Drawer stopper	2 pcs
N		Ø4x12	Screw	16 pcs
P		Ø6x3x12	Screw	2 pcs
Q		Ø4x2x8	Screw	16 pcs
R		Ø8x4x35	Screw	8 pcs
S		Ø8x4x25	Screw	12 pcs
T		Ø6x50	Bolt	4 pcs
U			Spring washer	4 pcs
V			Washer	4 pcs
W		M4	Wrench	1 pc
Y			Glue tube	3 pcs
Z			Touch-up marker	1 pc

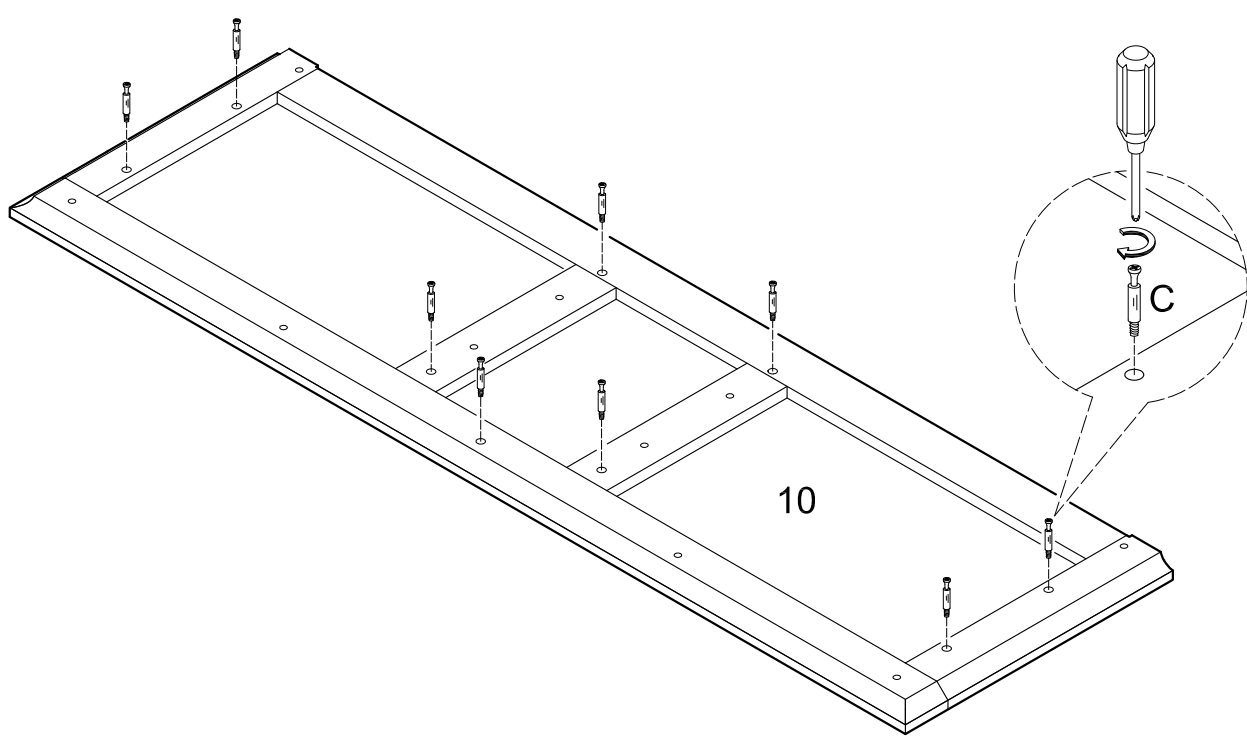
*The hardware quantities listed above are required for proper assembly.
Some extra hardware may also have been included.*

Step 1



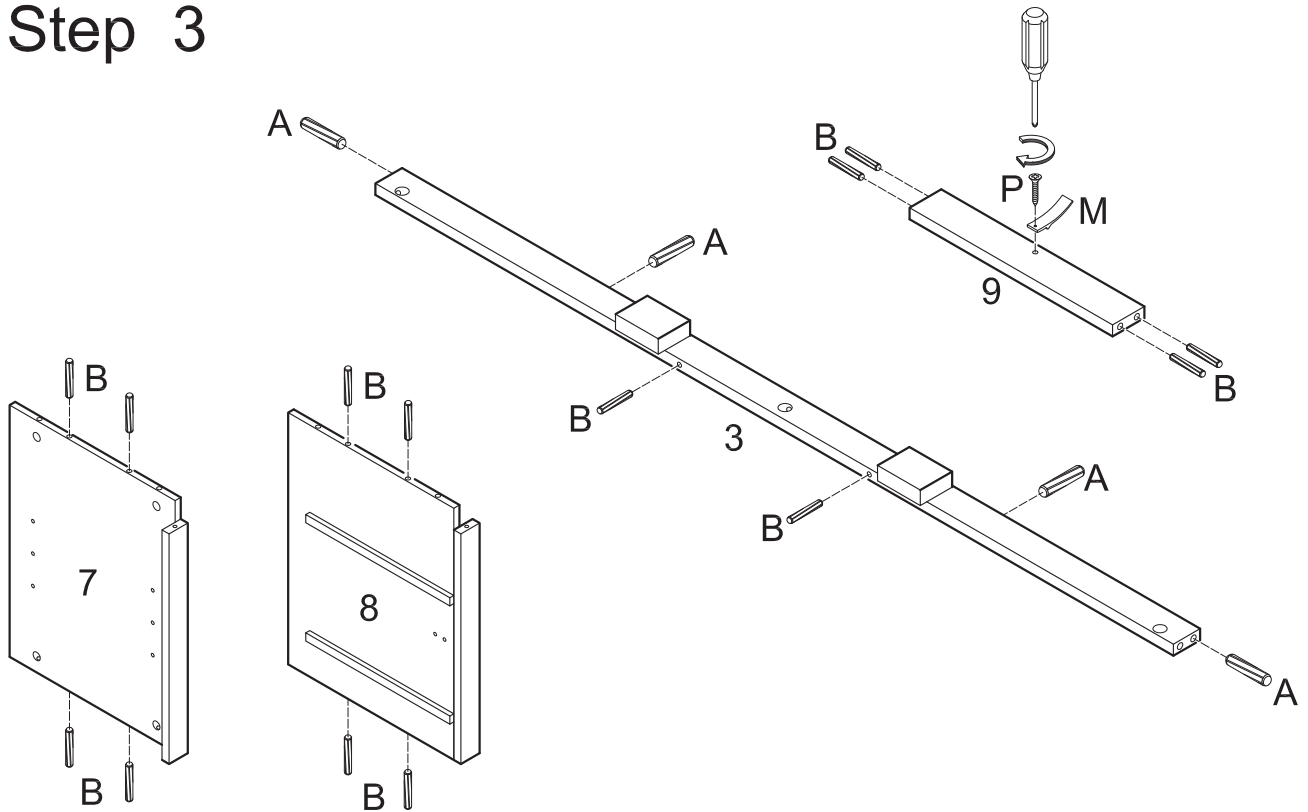
Insert dowels (A) into side panels (1,2). Screw cam bolts (C) into side panels (1,2).

Step 2



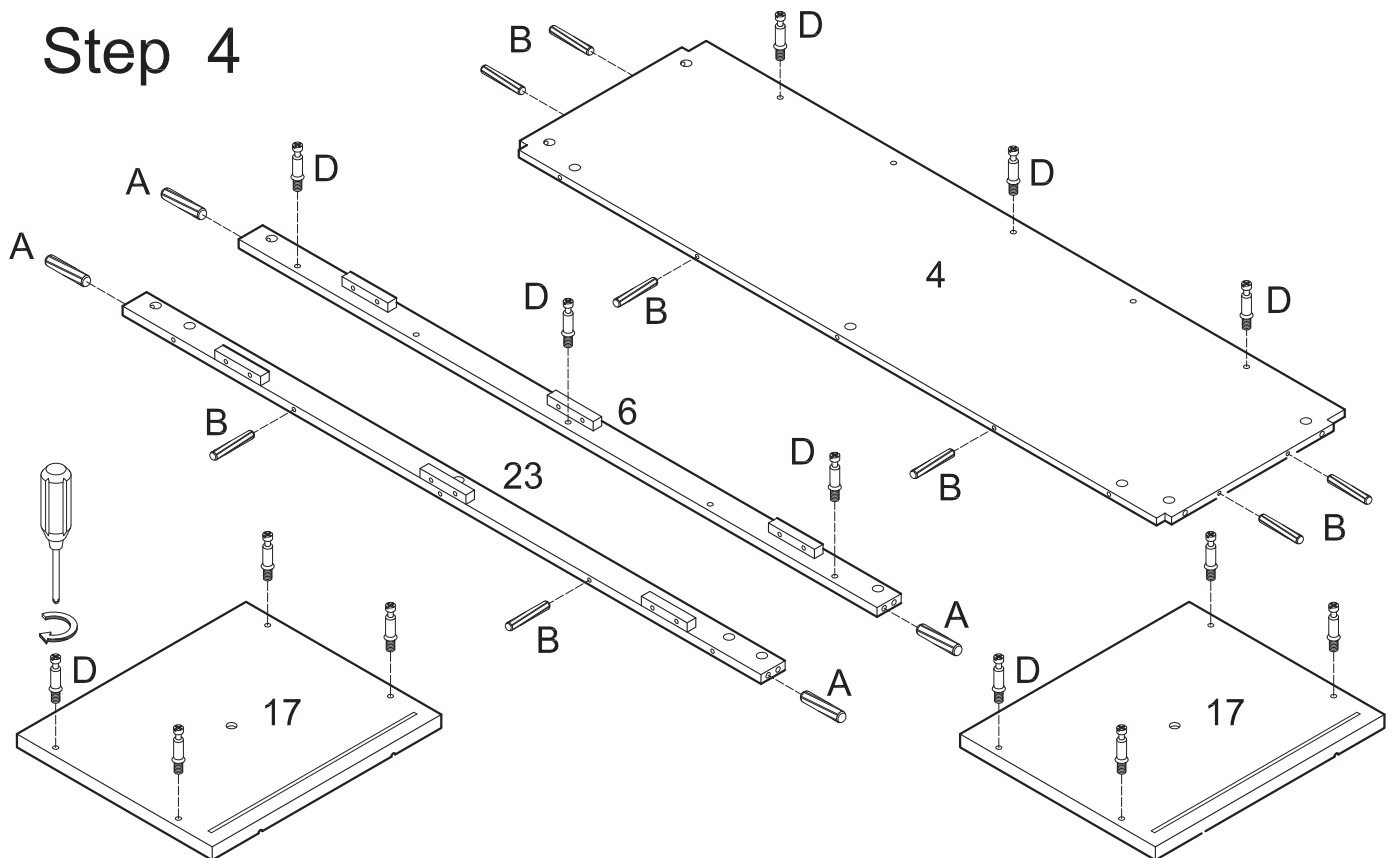
Screw cam bolts (C) into top panel (10).

Step 3



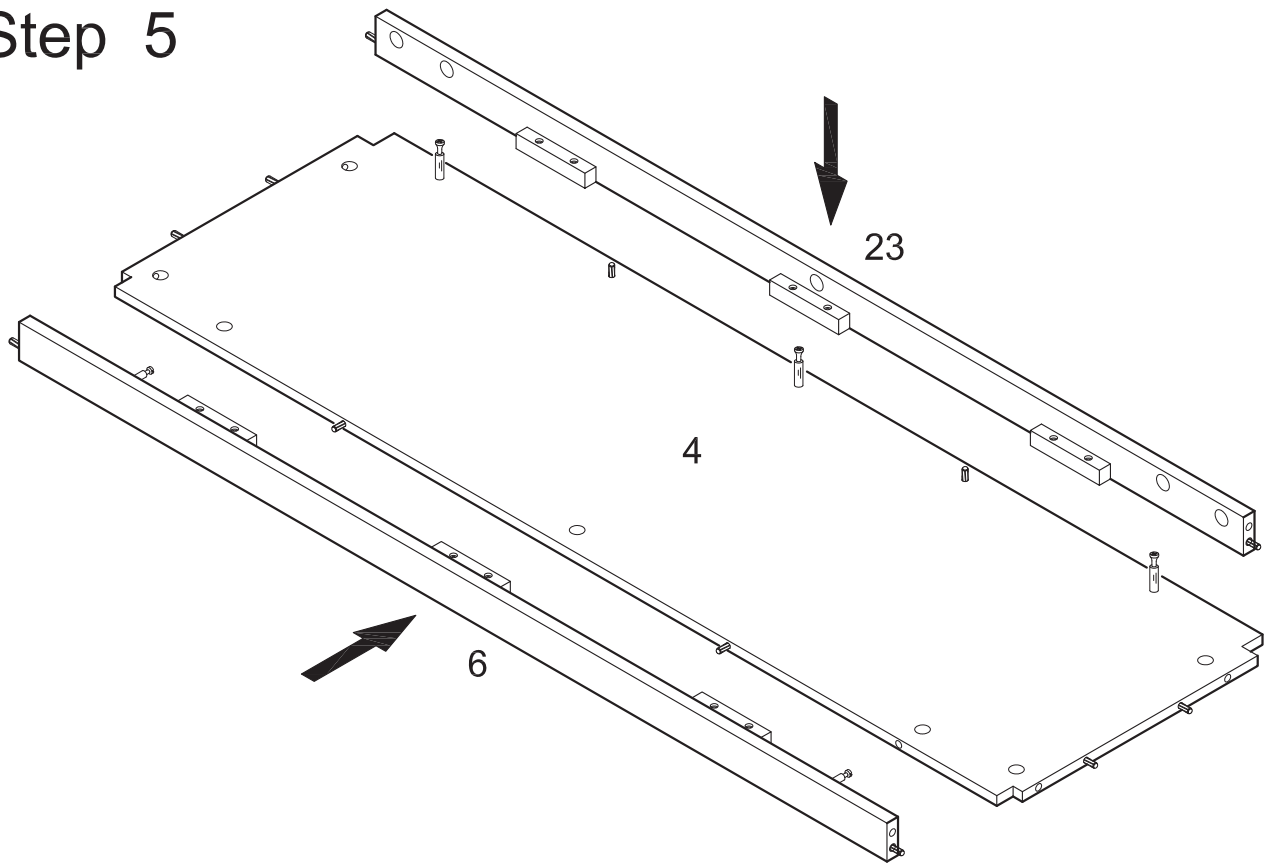
Insert dowels (B) into panels (7,8) and slats (3,9). Insert dowels (A) into slat (3). Attach drawer stopper (M) to slat (9) using screw (P).

Step 4



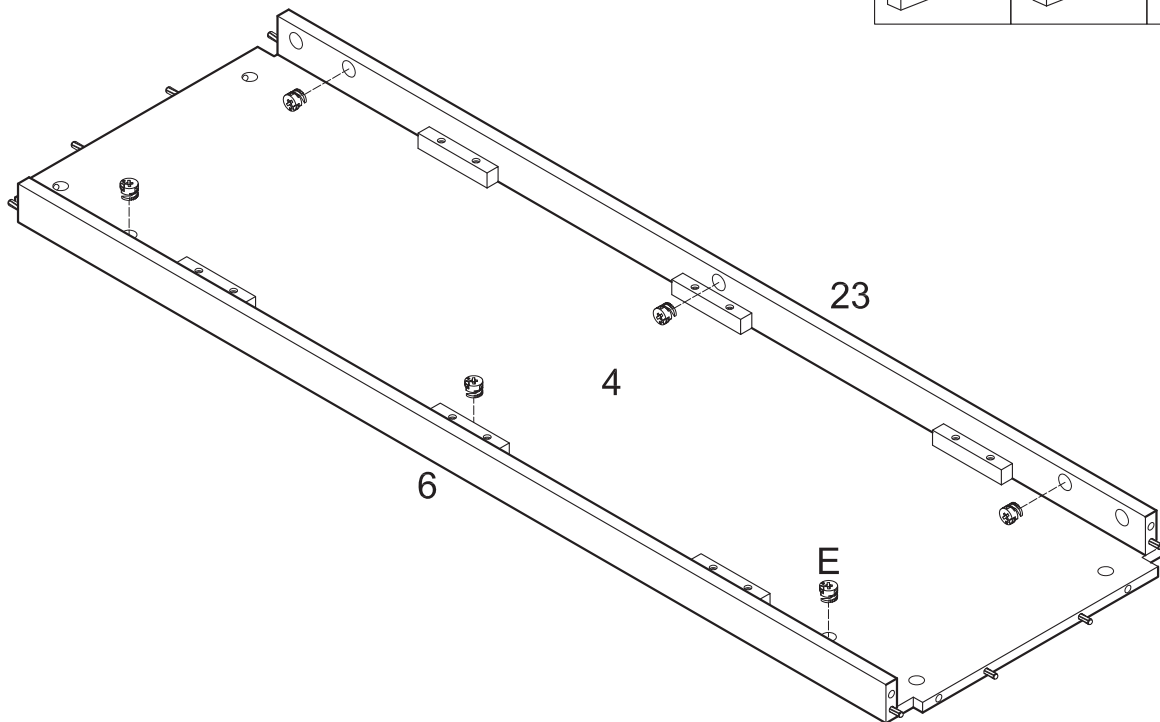
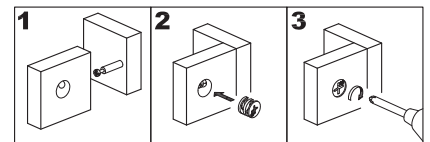
Insert dowels (A) into slats (6,23). Insert dowels (B) into panel (4) and slat (23). Screw cam bolts (D) into panel (4), drawer fronts (17) and slat (6).

Step 5



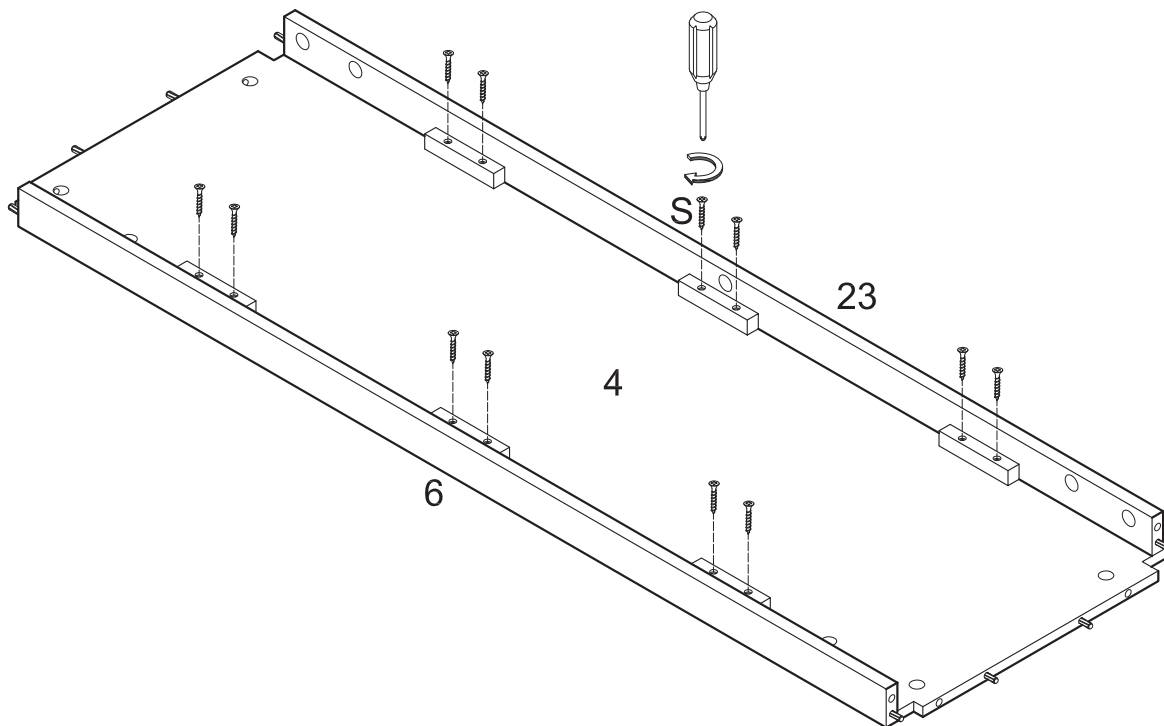
Attach slats (6,23) to panel (4) using cam bolts and dowels as guides.

Step 6



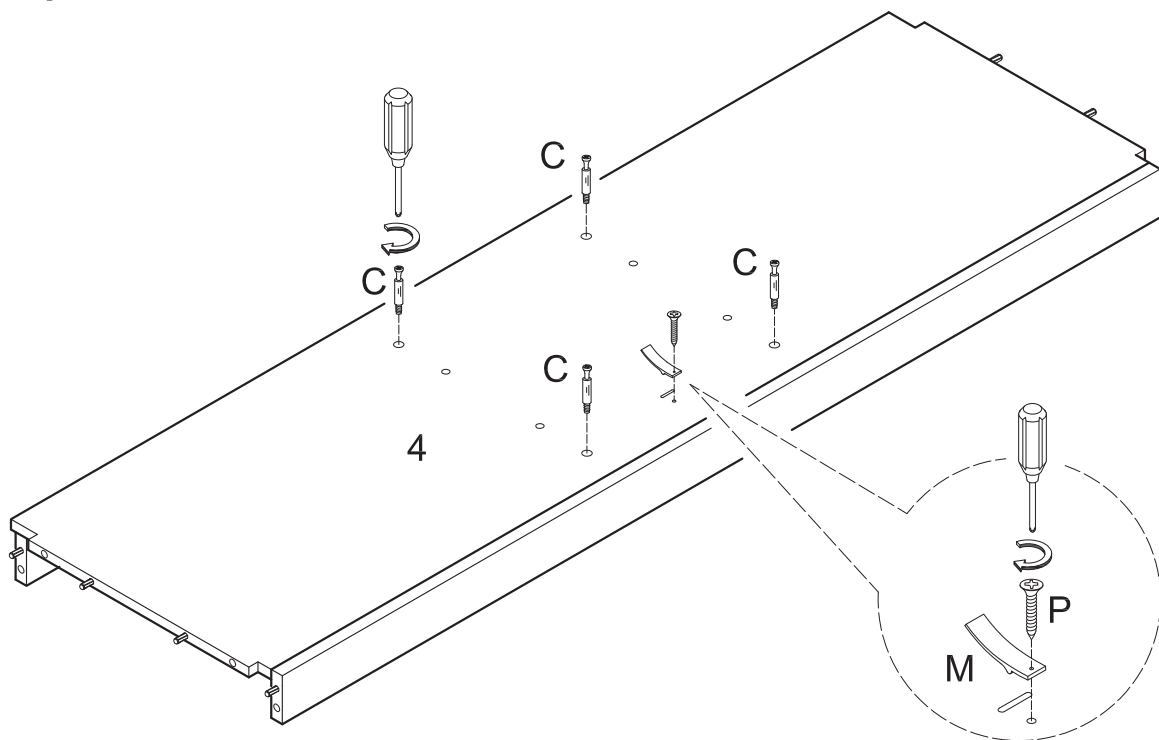
Insert cam locks (E) into panel (4) and slat (23) and tighten with a screwdriver. *This will secure slats (6,23) to panel (4).*

Step 7



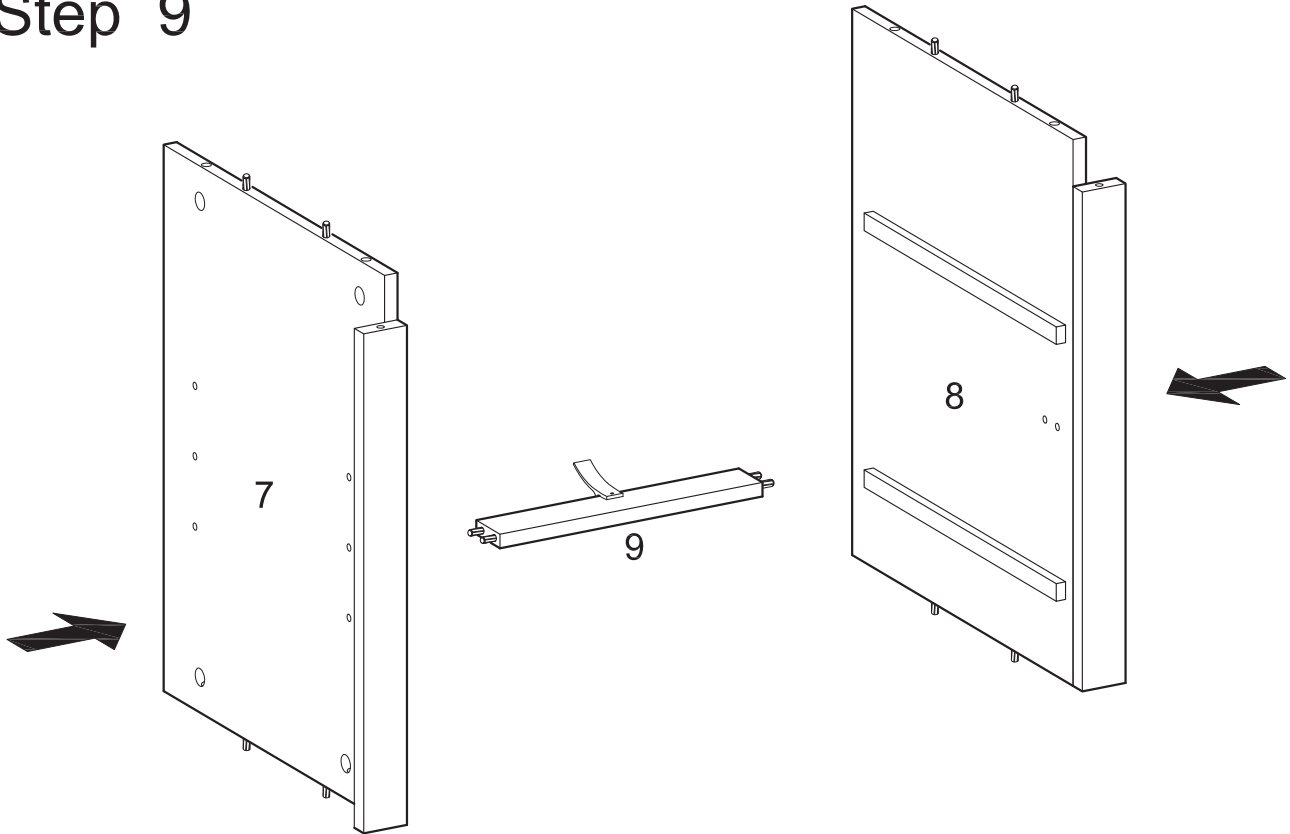
Further secure slats (6,23) to panel (4) using screws (S).

Step 8



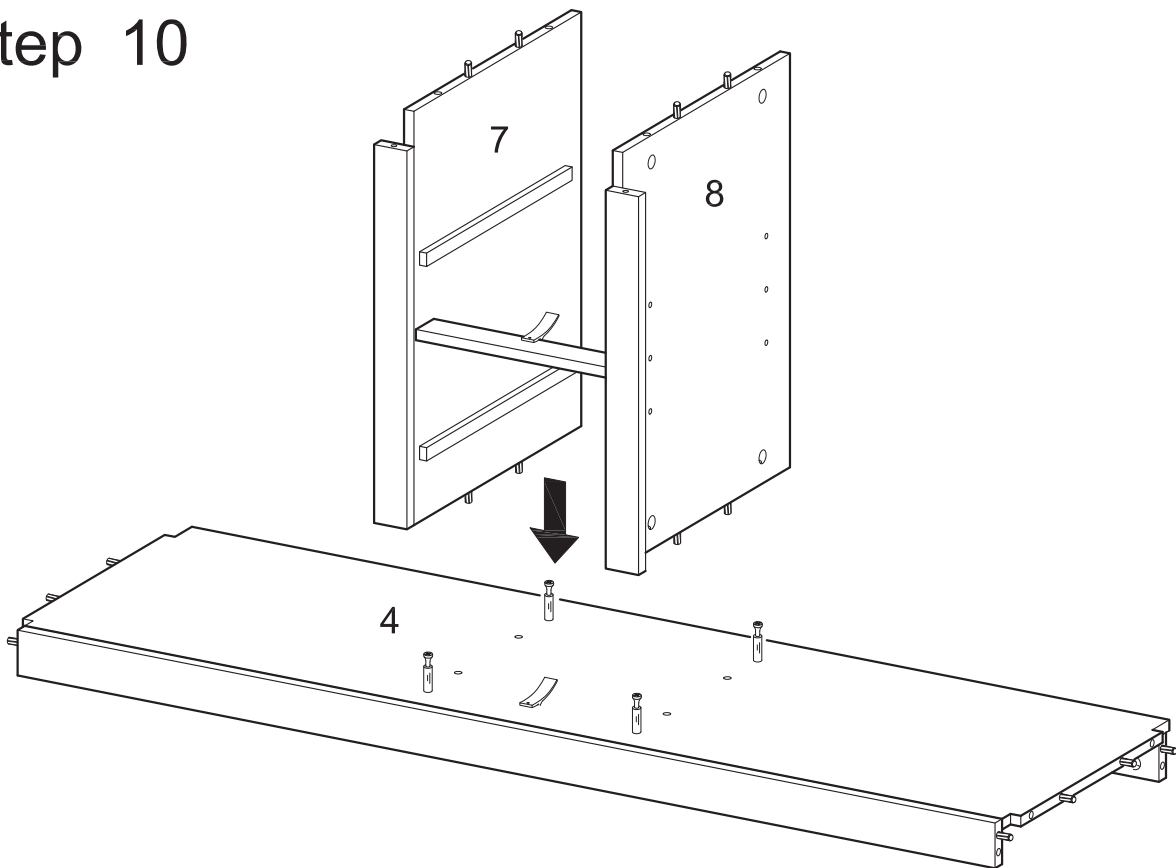
Screw cam bolts (C) into panel (4). Attach drawer stopper (M) to panel (4) using screw (P).

Step 9



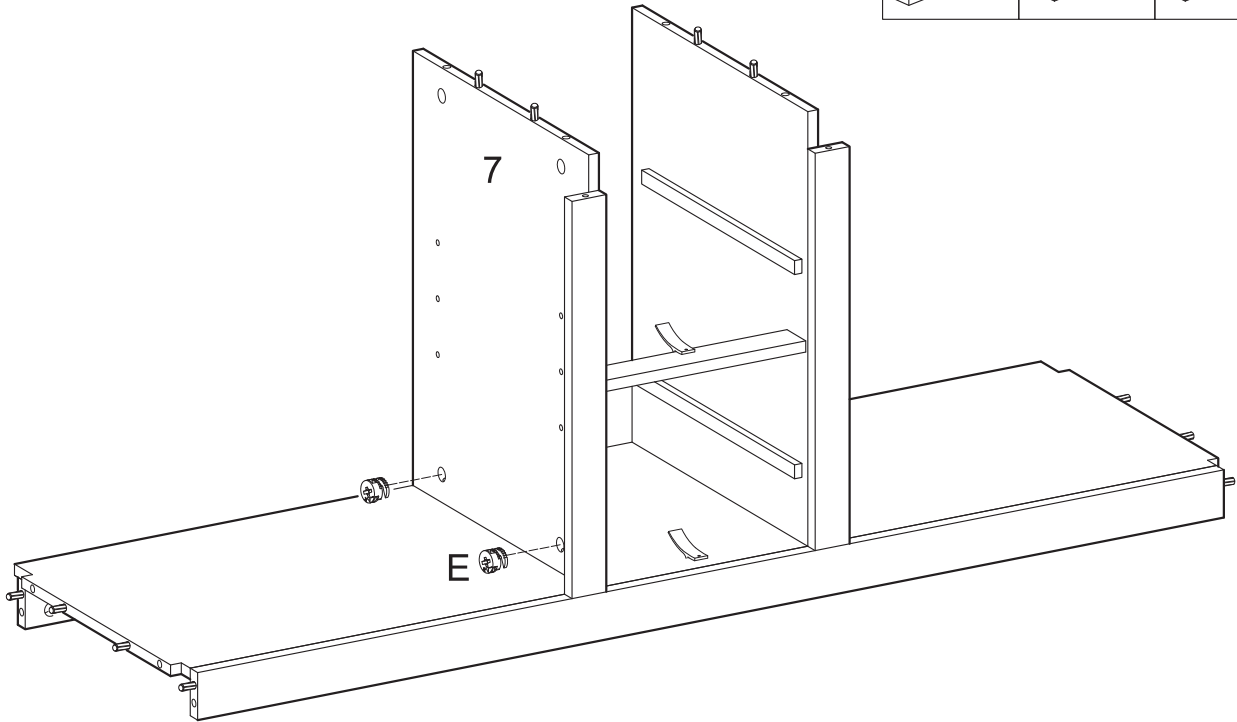
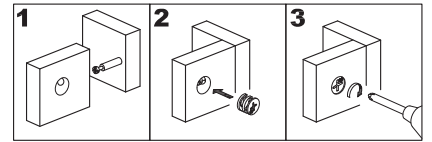
Join panels (7,8) together with slat (9) using dowels as guides.

Step 10



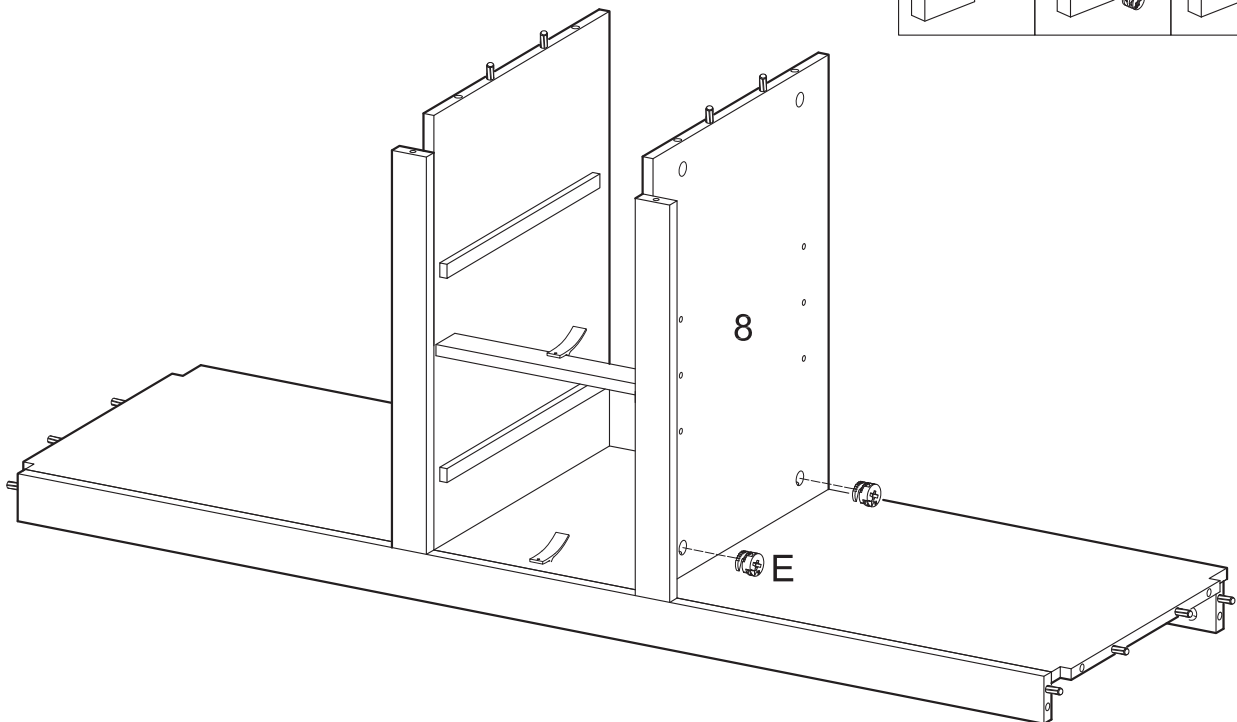
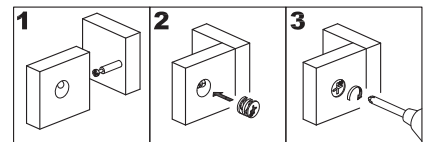
Attach the assembly from the previous step to panel (4) using cam bolts and dowels as guides.

Step 11



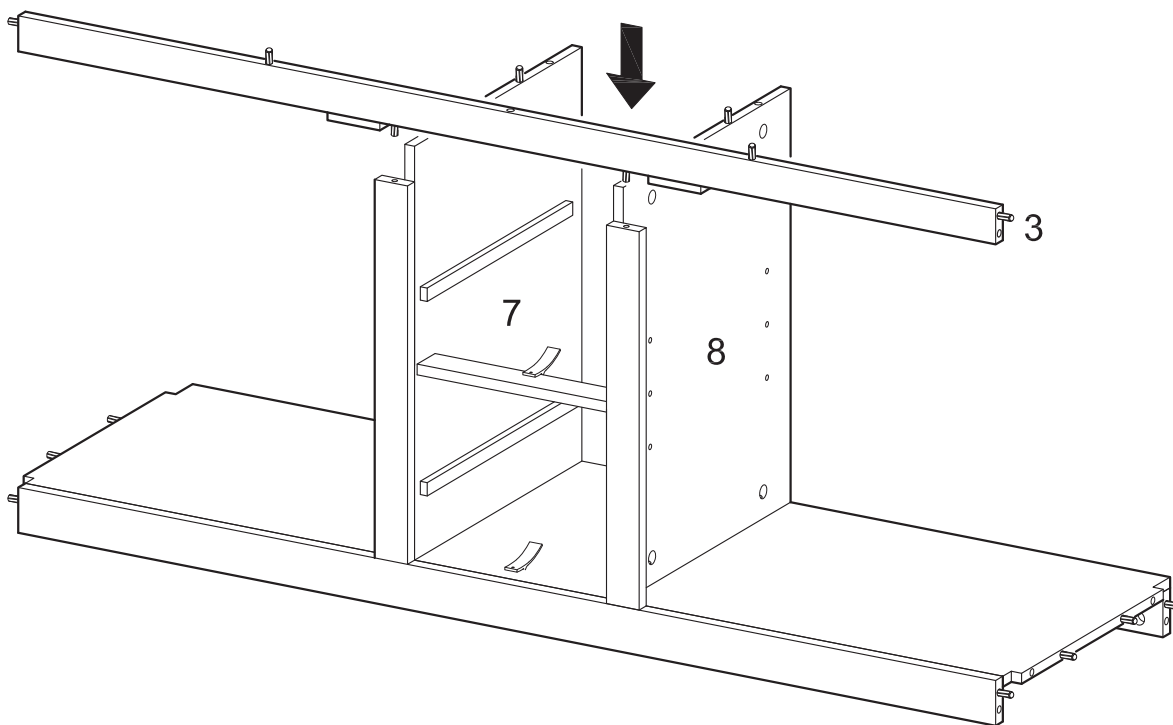
Insert cam locks (E) into panel (7) and tighten with a screwdriver.

Step 12



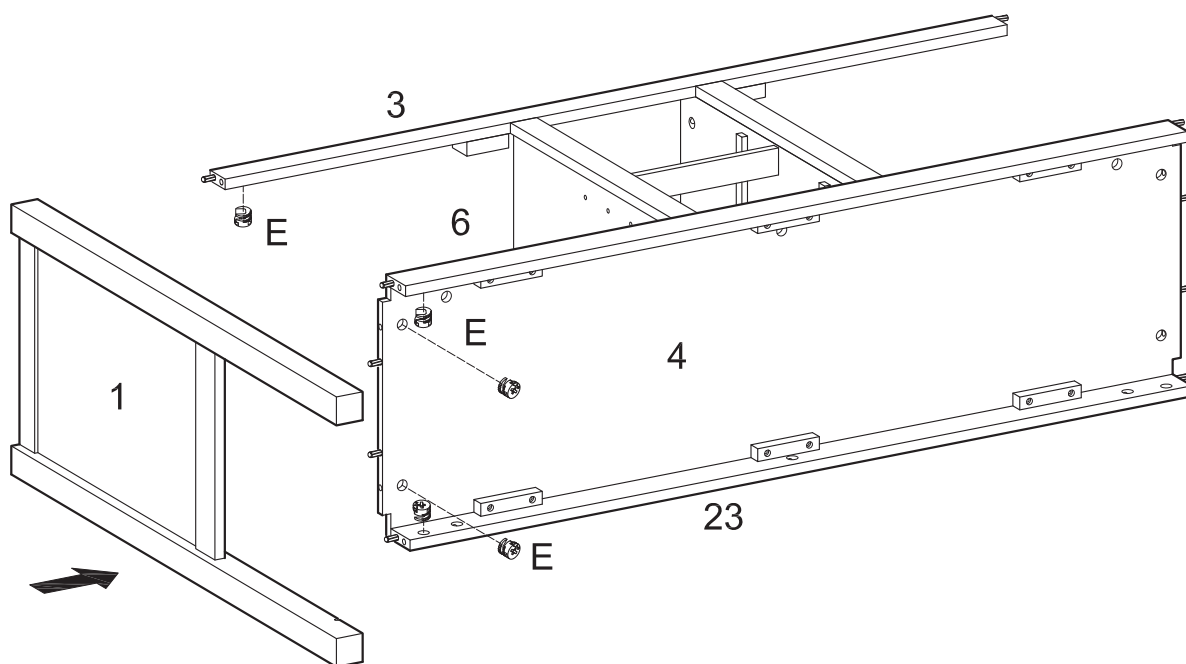
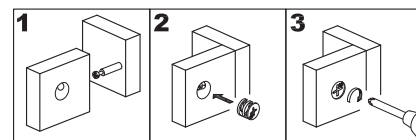
Insert cam locks (E) into panel (8) and tighten with a screwdriver.

Step 13



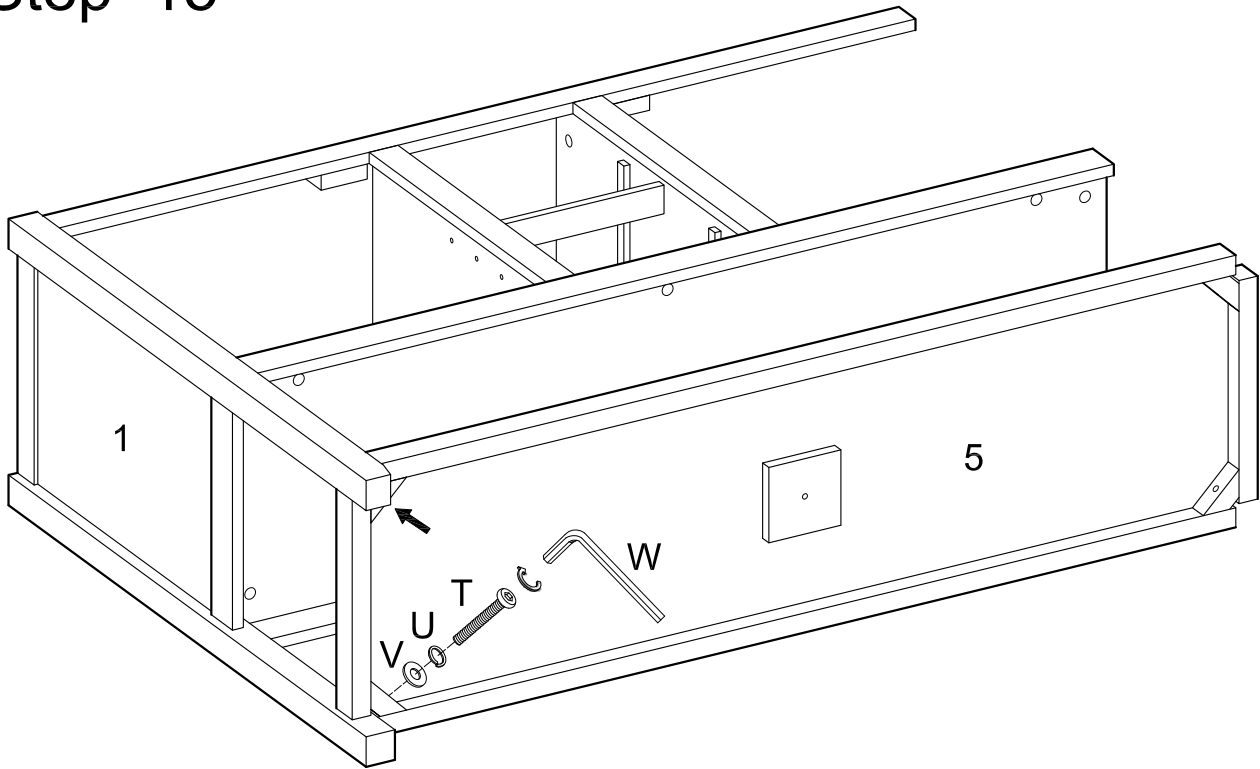
Attach slat (3) to panels (7,8) using dowels as a guide.

Step 14



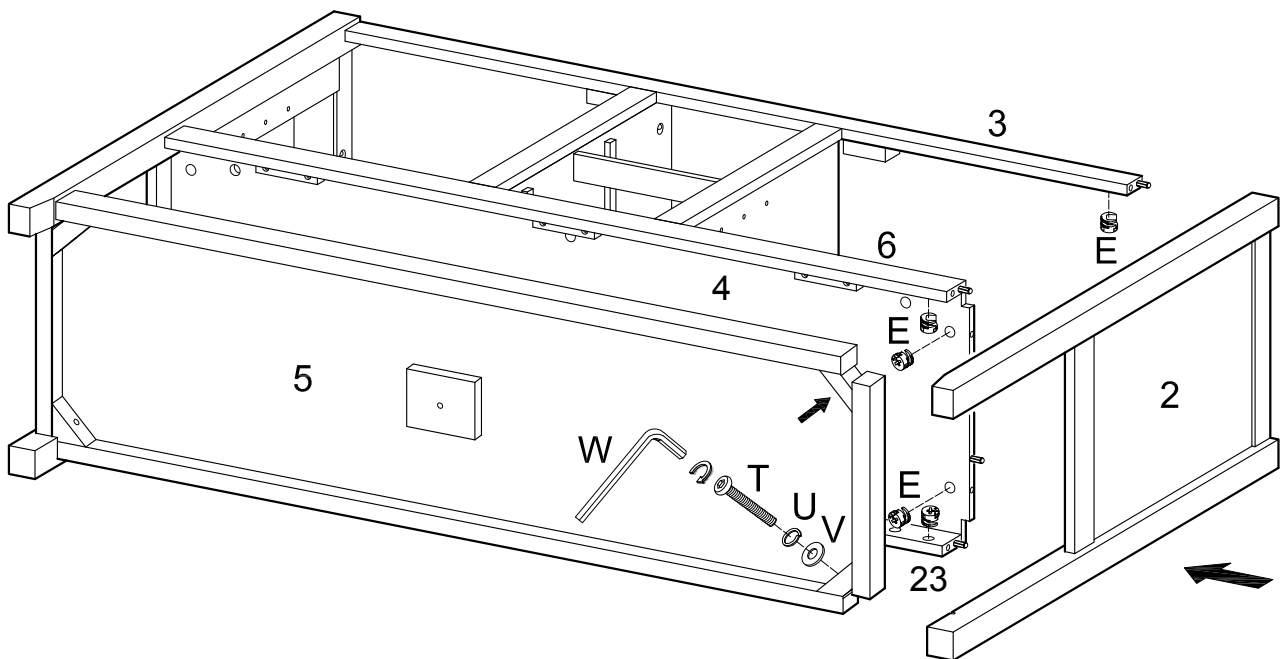
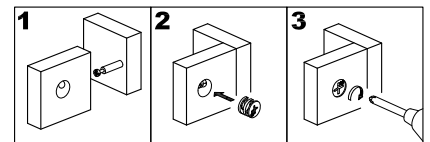
Attach side panel (1) to the assembly from the previous step using cam bolts and dowels as guides. Insert cam locks (E) into panel (4) and slats (3,6,23) and tighten with a screwdriver.

Step 15



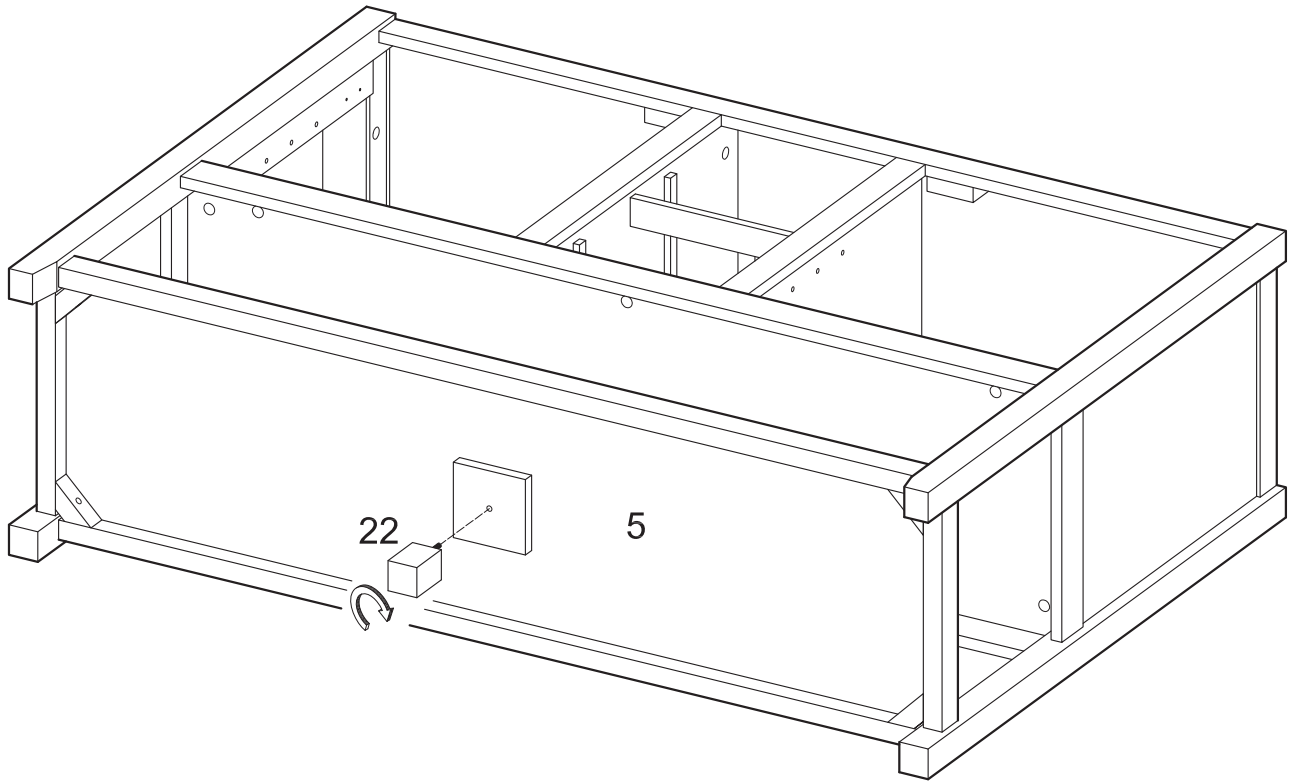
Attach bottom shelf (5) to side panel (1) using bolts (T), spring washers (U) and washers (V) where indicated above. Tighten bolts (T) with wrench (W).

Step 16



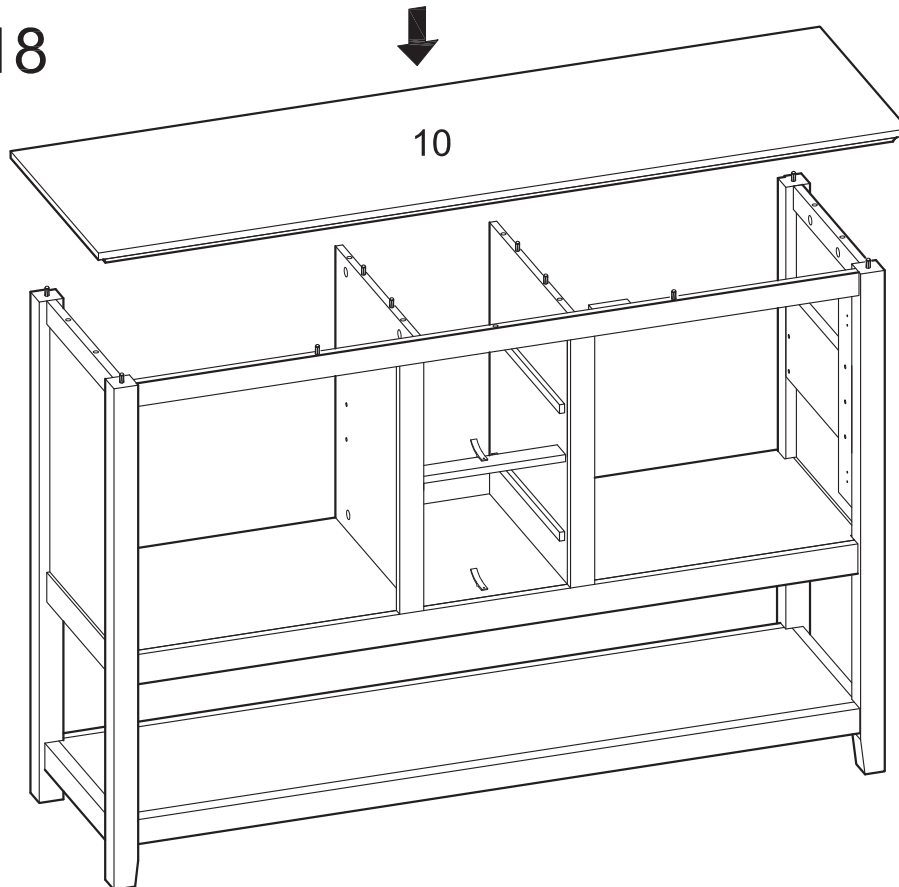
Attach side panel (2) to the assembly from the previous step using cam bolts and dowels as guides. Insert cam locks (E) into panel (4) and slats (3,6,23) and tighten with a screwdriver. Attach bottom shelf (5) to side panel (2) using bolts (T), spring washers (U) and washers (V) where indicated above. Tighten bolts (T) with wrench (W).

Step 17



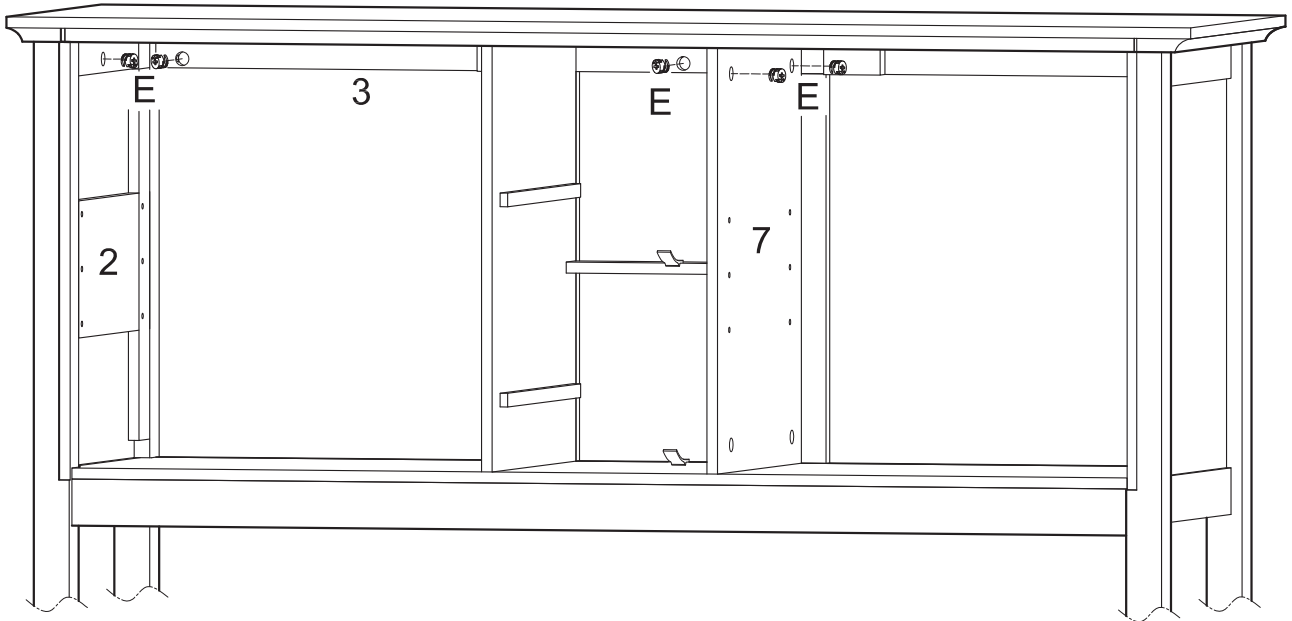
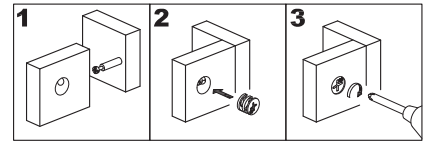
Screw support leg (22) into bottom shelf (5).

Step 18



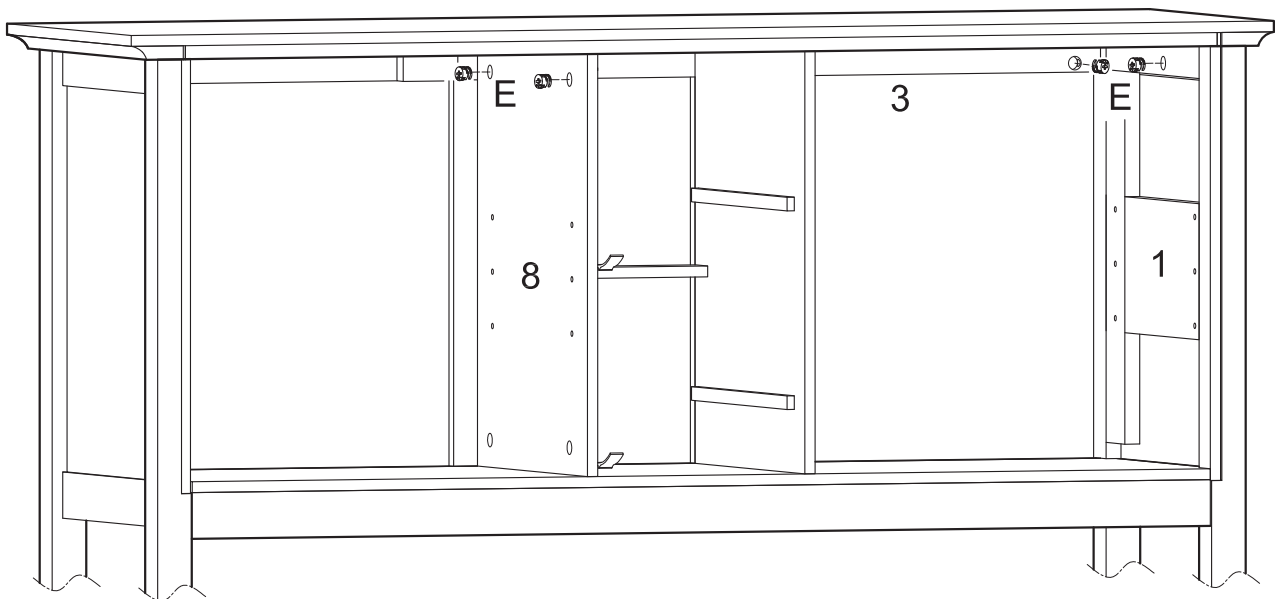
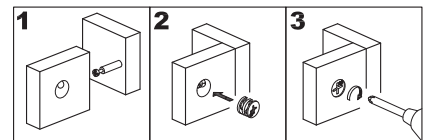
Carefully fit top panel (10) into place using cam bolts and dowels as guides.

Step 19



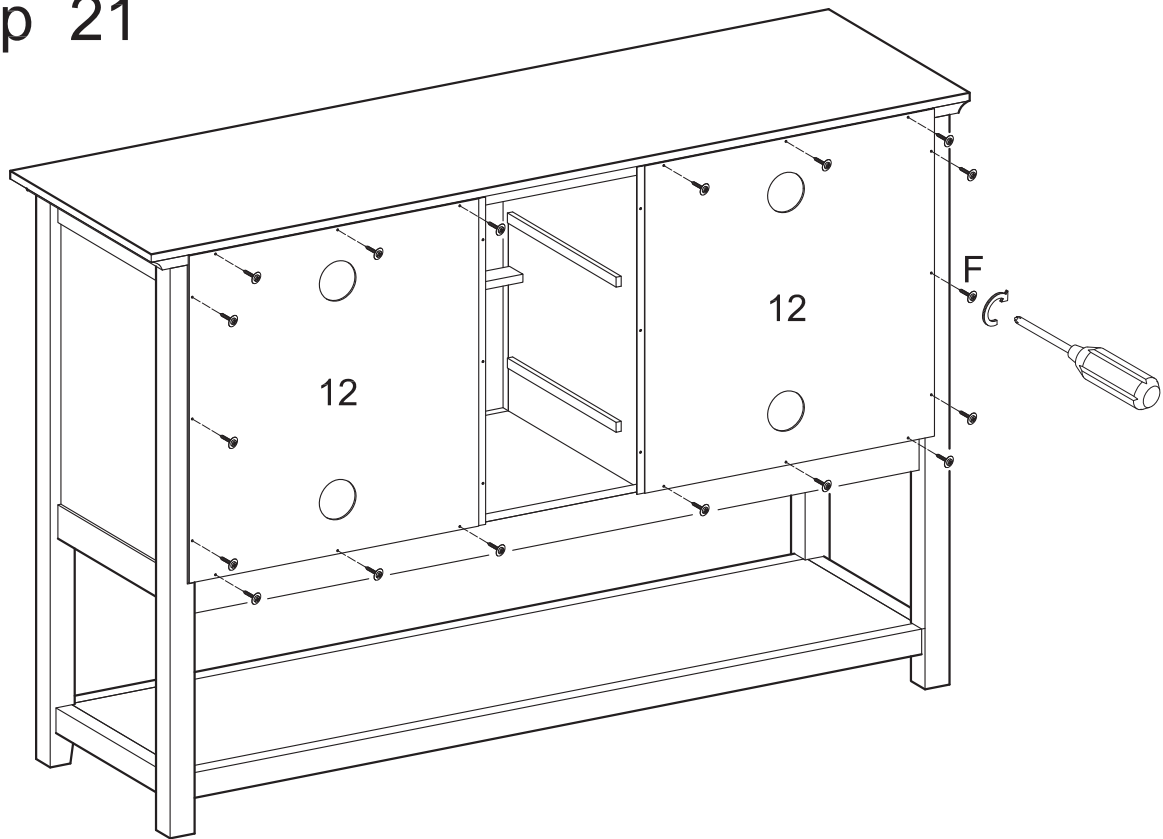
Insert cam locks (E) into side panel (2), slat (3) and panel (7). Tighten cam locks (E) with a screwdriver.

Step 20



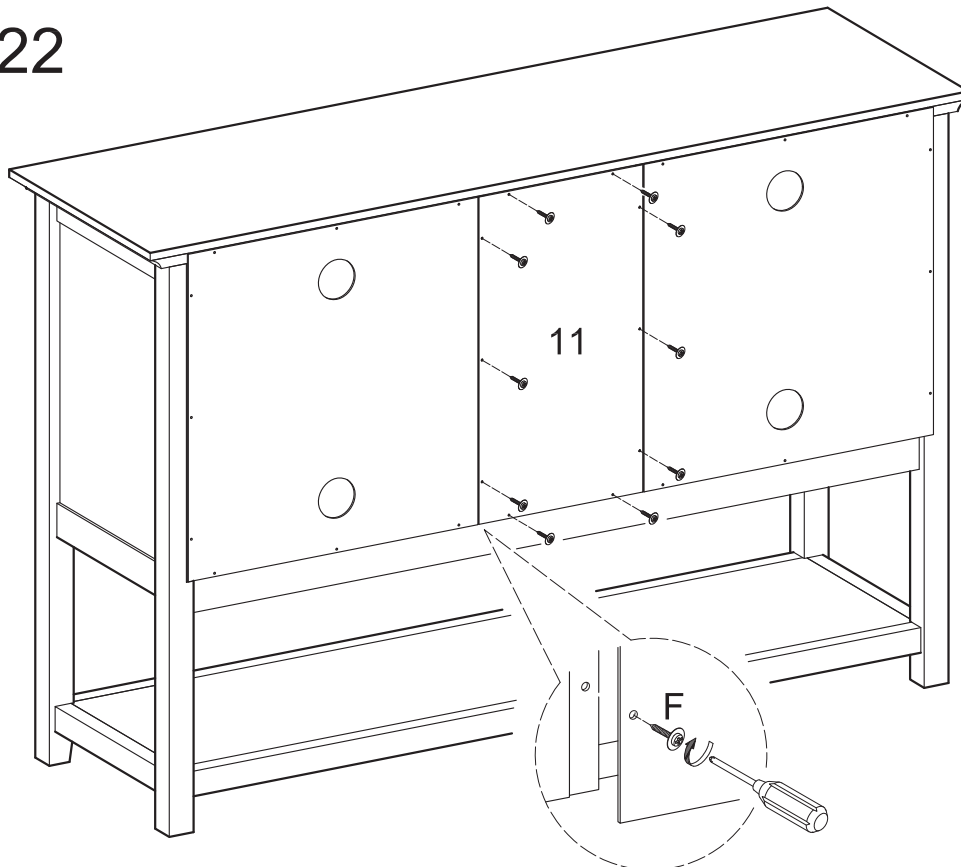
Insert cam locks (E) into side panel (1), slat (3) and panel (8). Tighten cam locks (E) with a screwdriver.

Step 21



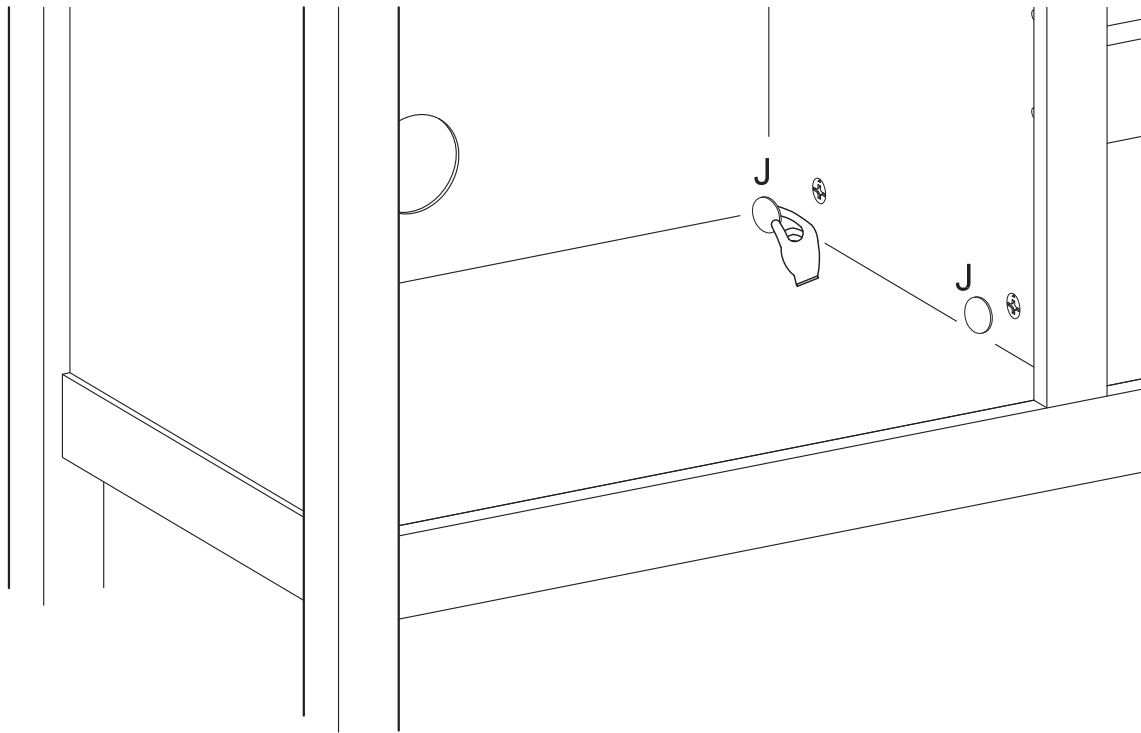
Attach back panels (12) to the back of the console using screws (F).

Step 22



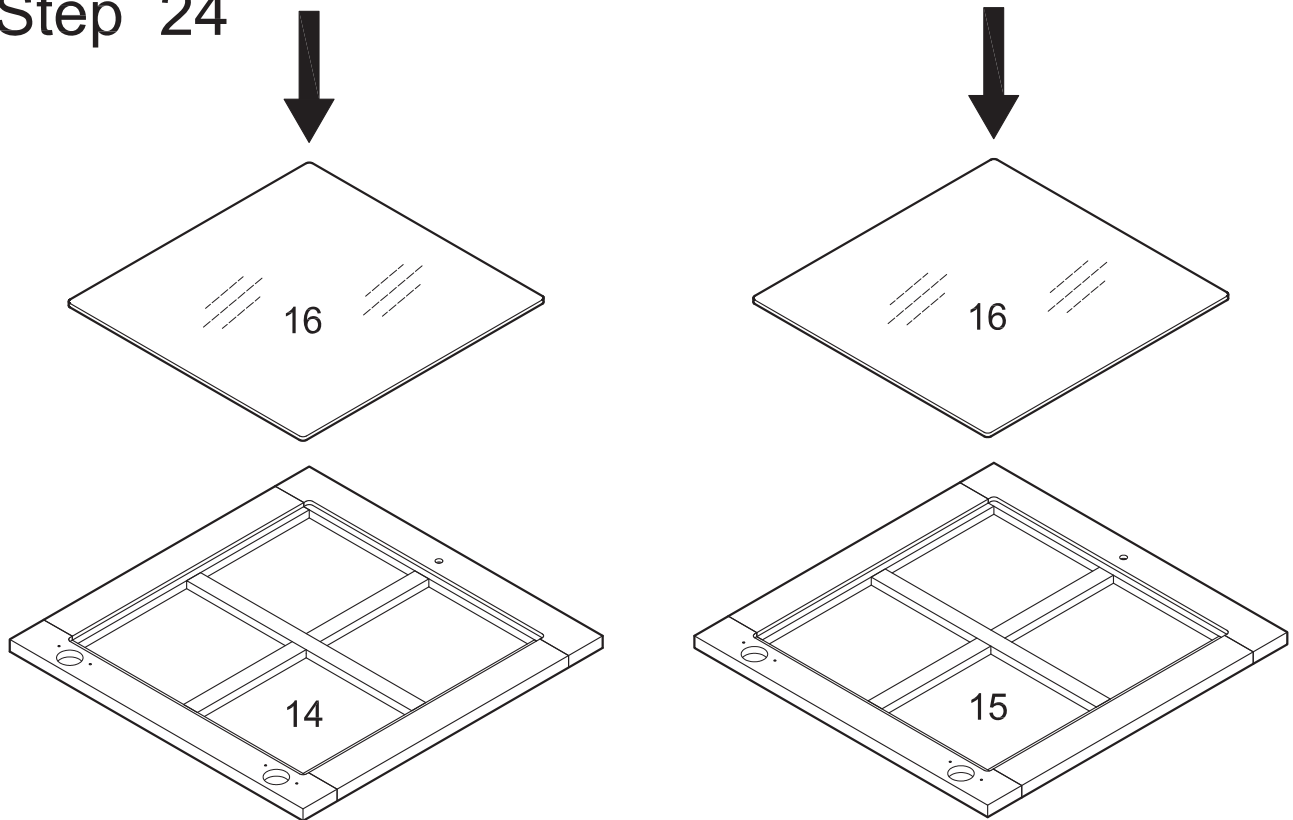
Attach back panel (11) to the back of the console using screws (F). *Back panel (11) will overlap the other back panels as shown in insert above.*

Step 23



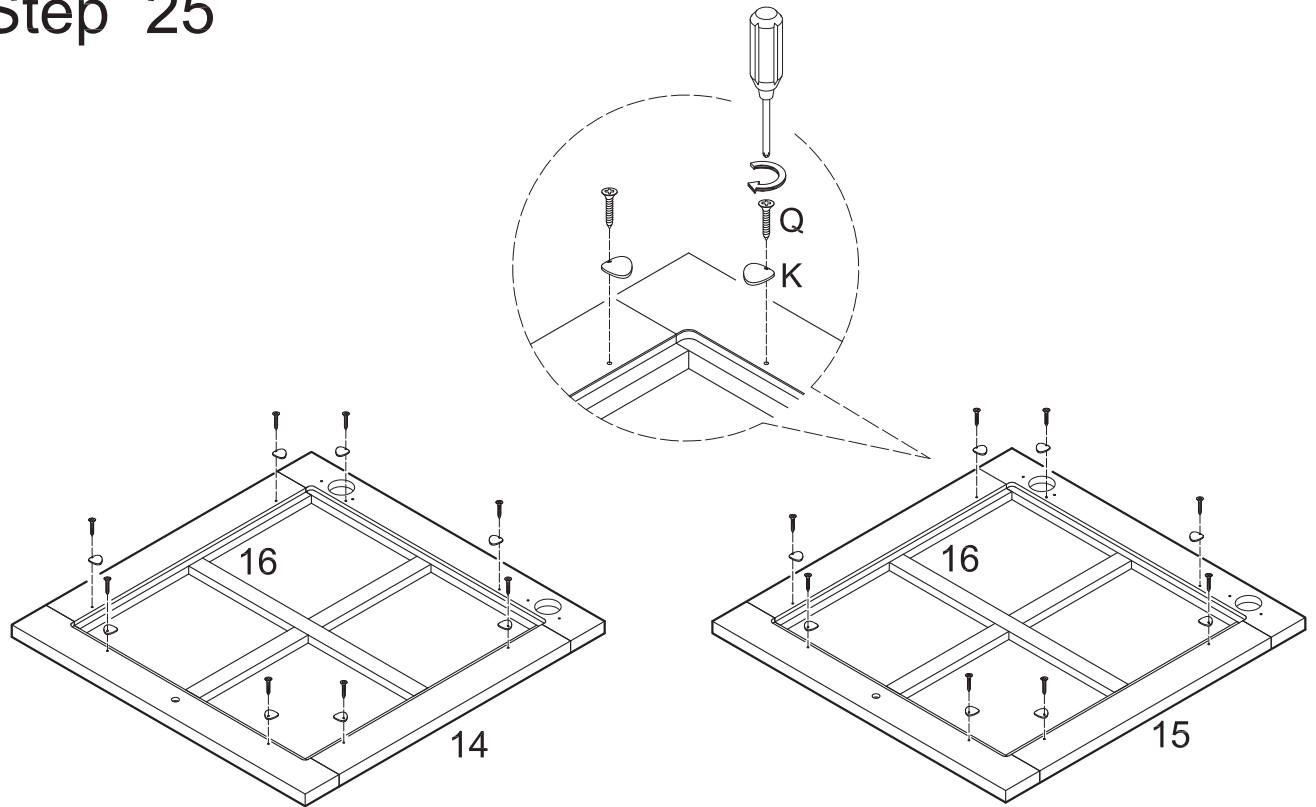
Cover all visible cam locks with stickers (J) as desired.

Step 24



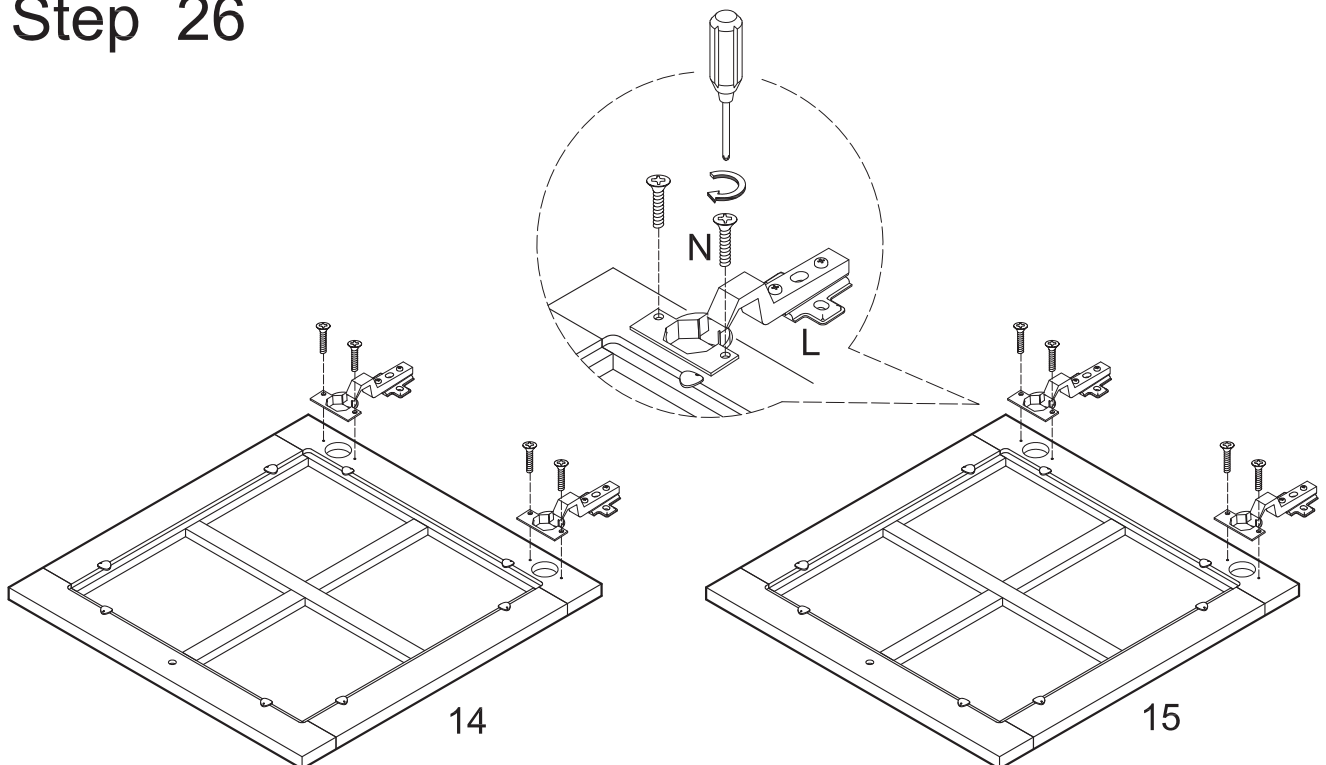
Carefully place glass panes (16) into door frames (14,15).

Step 25



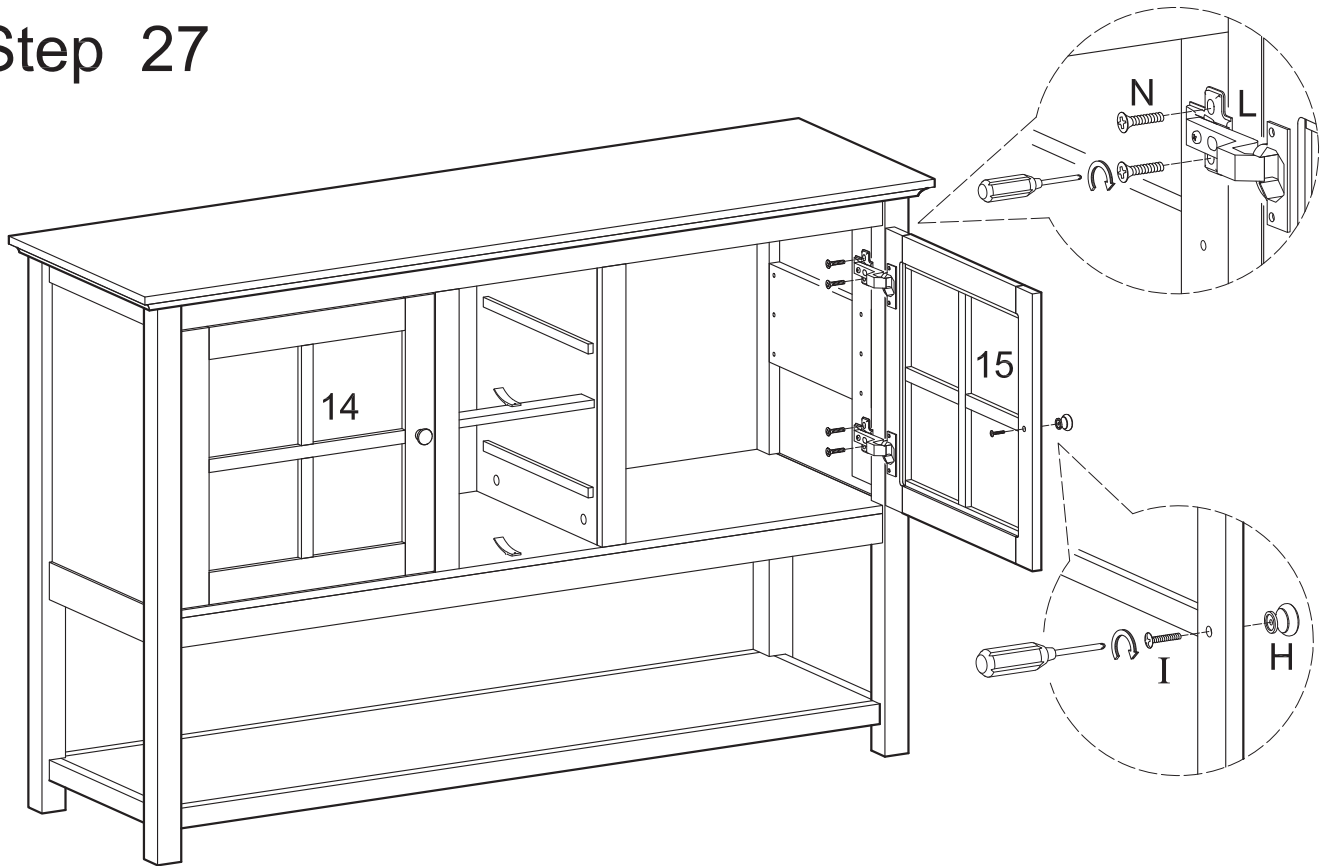
Secure glass panes (16) to door frames (14,15) using metal washers (K) and screws (Q). *The curve of metal washers (K) will arc into glass panes (16).*

Step 26



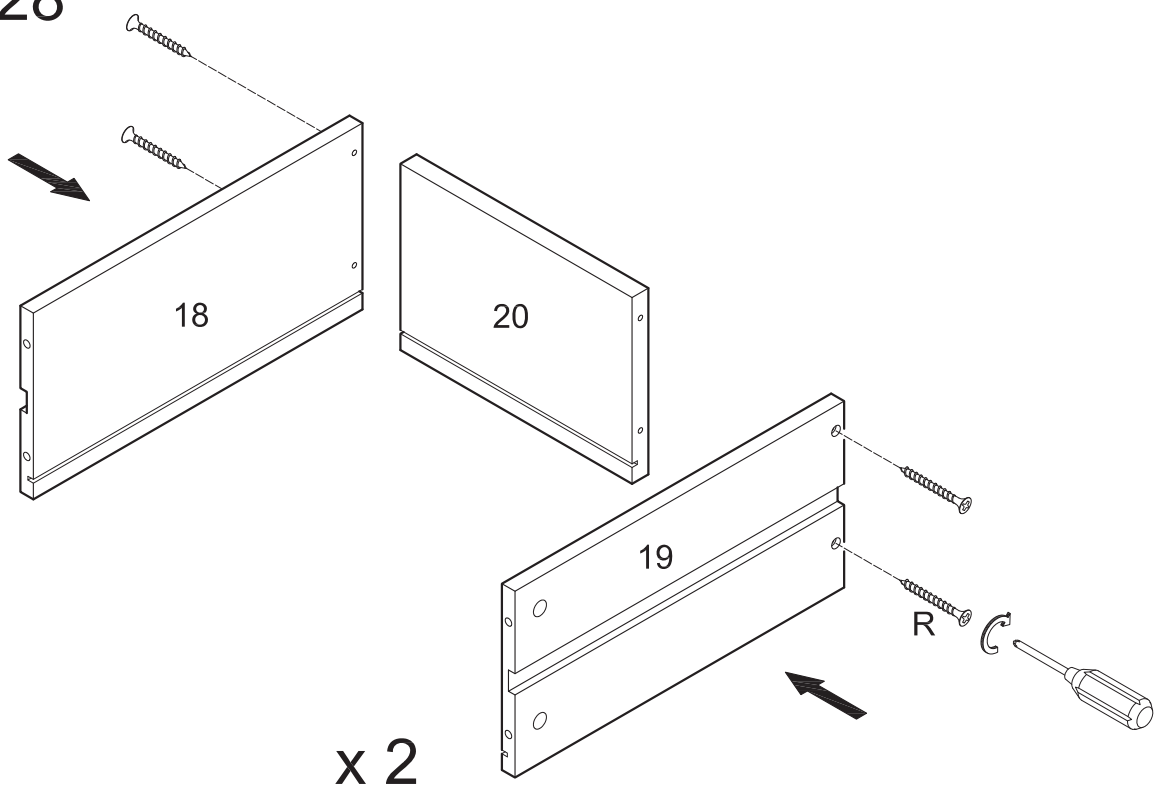
Attach hinges (L) to doors (14,15) using screws (N).

Step 27



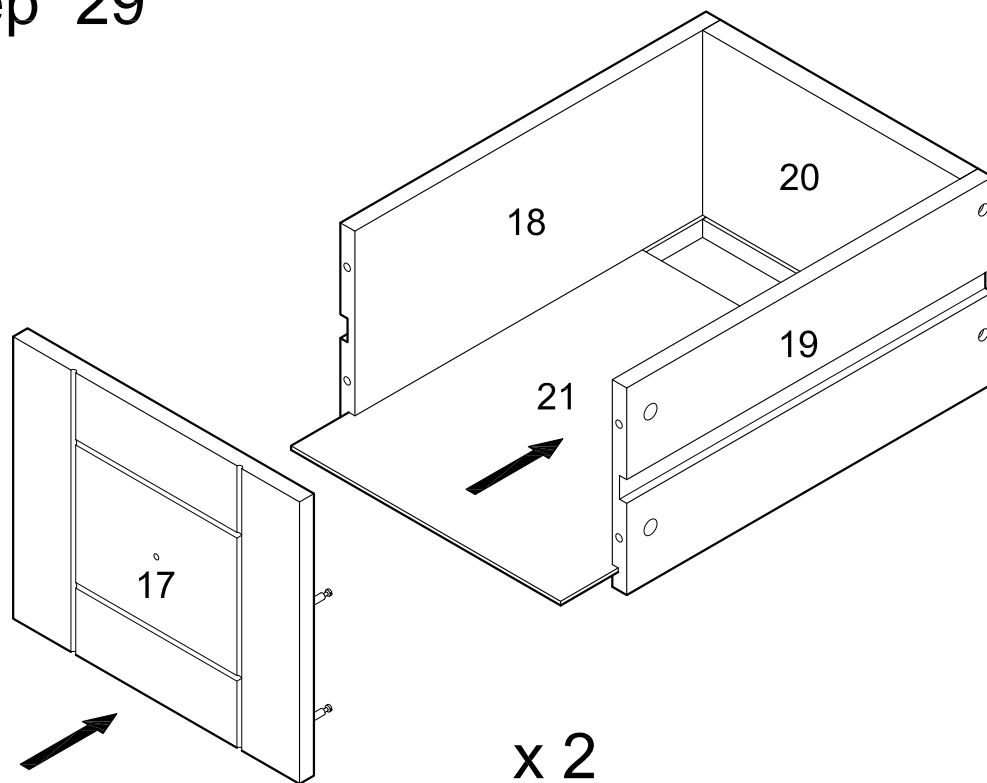
Attach doors (14,15) to the console using screws (N) at hinges (L). See page 2 for instructions on how to adjust hinges so doors align with console as desired. Attach handles (H) to doors (14,15) using bolts (I).

Step 28



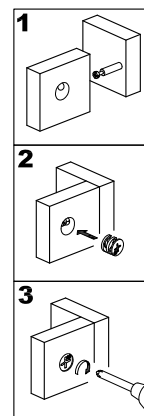
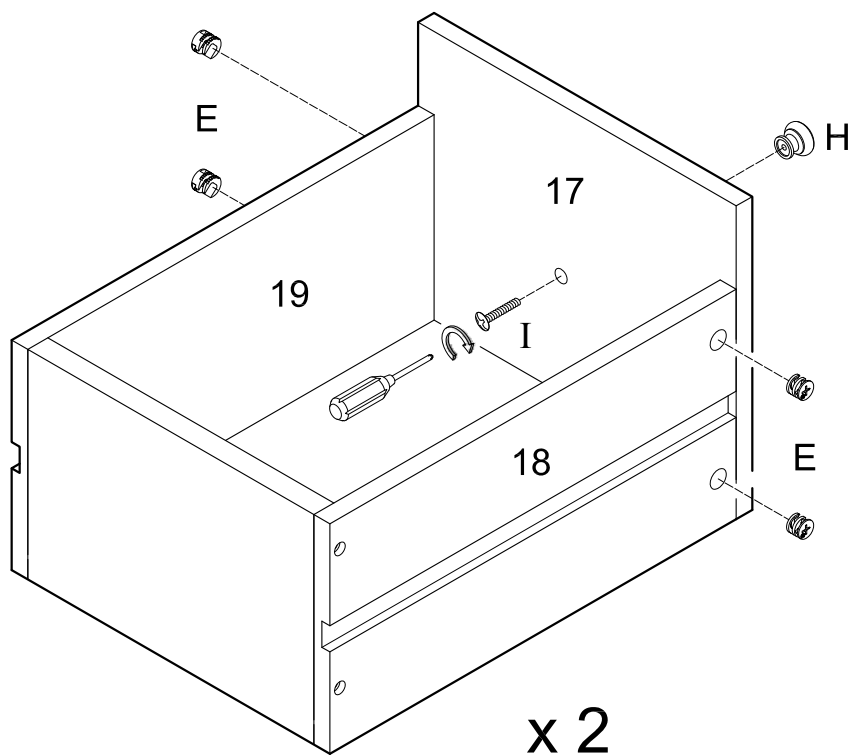
Attach drawer sides (18,19) to drawer back (20) using screws (R). The thin grooves at the base of each drawer piece will align along the inside of the drawer assembly. Repeat this step for the second drawer.

Step 29



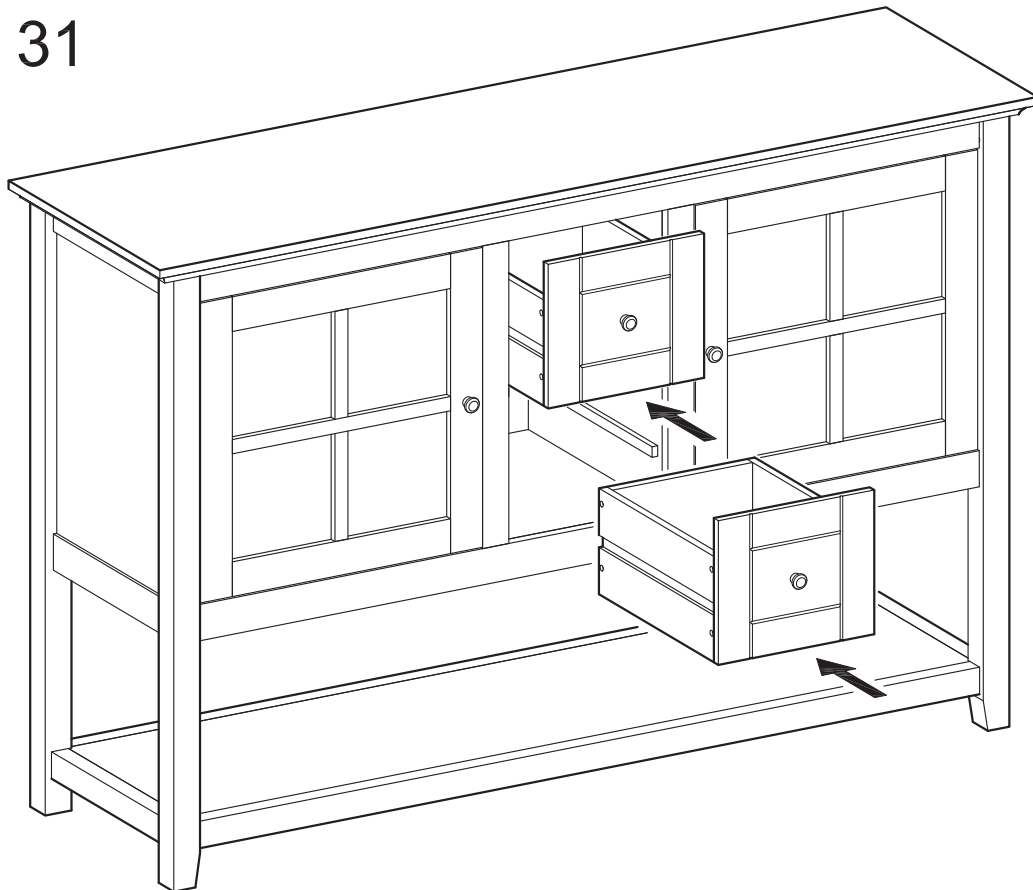
Slide drawer bottom (21) into place along the thin grooves of the drawer assembly. Fit drawer front (17) into place using cam bolts as guides. Repeat this step for the second drawer.

Step 30



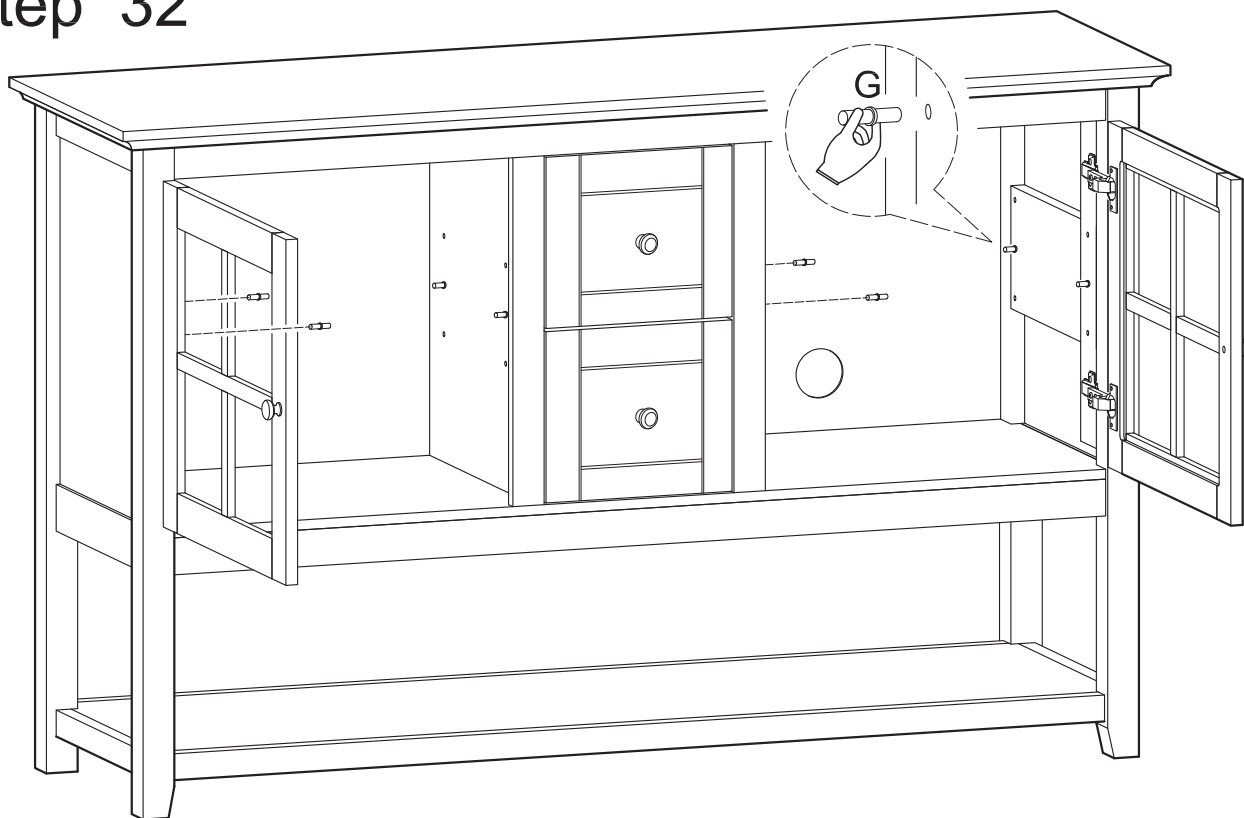
Insert cam locks (E) into drawer sides (18,19) and tighten with a screwdriver. Attach handle (H) to drawer front (17) using bolt (I). Repeat this step for the second drawer.

Step 31



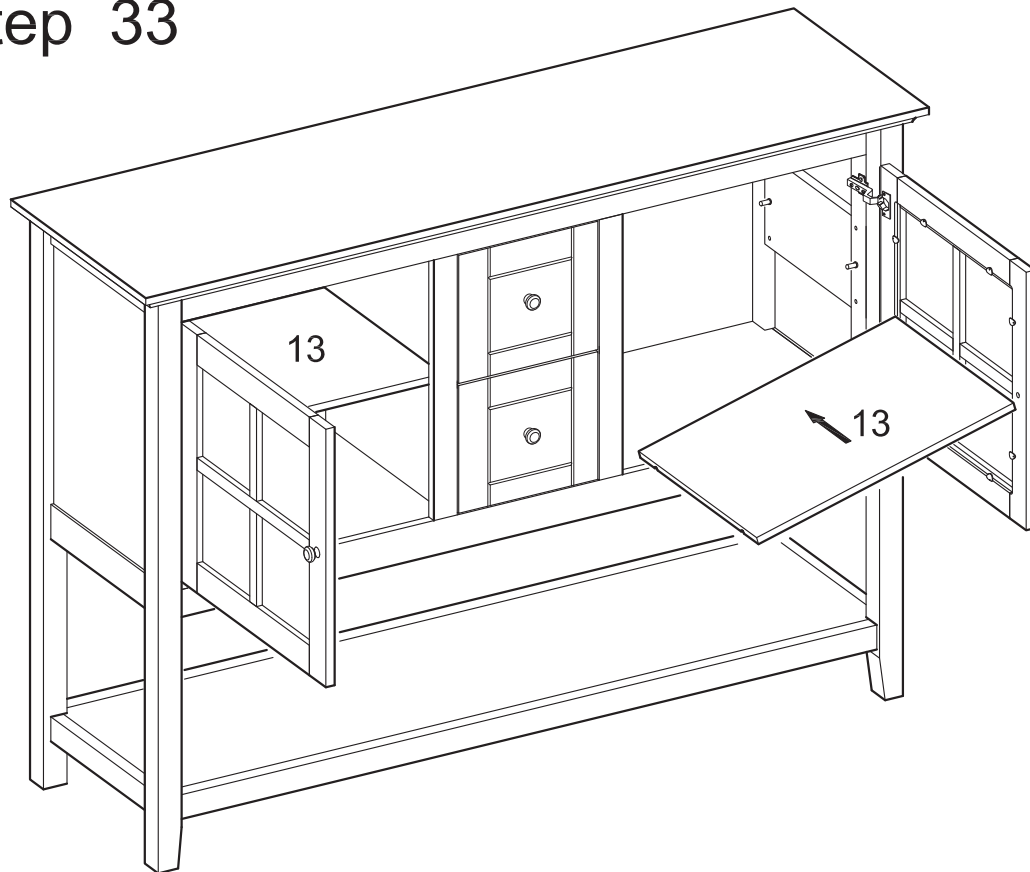
Carefully slide built drawers into the console.

Step 32



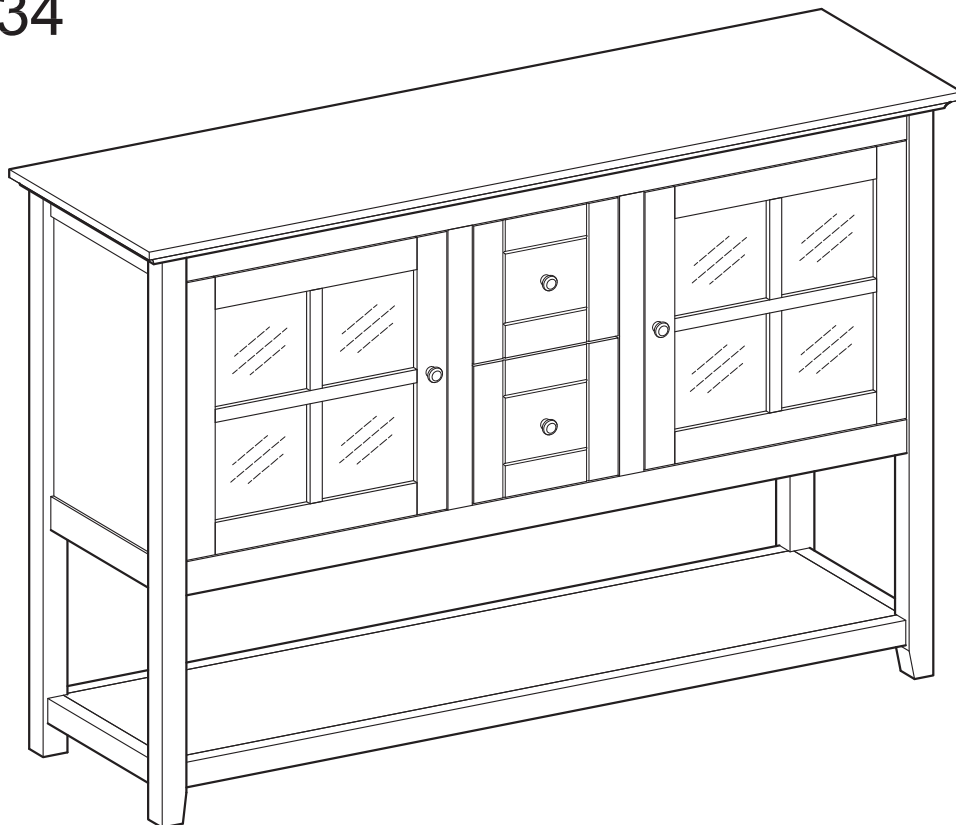
Insert shelf support pins (G) into the console at the desired shelf heights.

Step 33



Carefully place shelves (13) into console. *Shelves (13) will rest on the shelf support pins.*

Step 34



Final Assembly