

# MOE'S

home collection

## **ASSEMBLY INSTRUCTIONS.**












OMEGA OFFICE CHAIR

**ZM-1001-02**



THANK YOU FOR YOUR PURCHASE!

## PARTS AND HARDWARE.

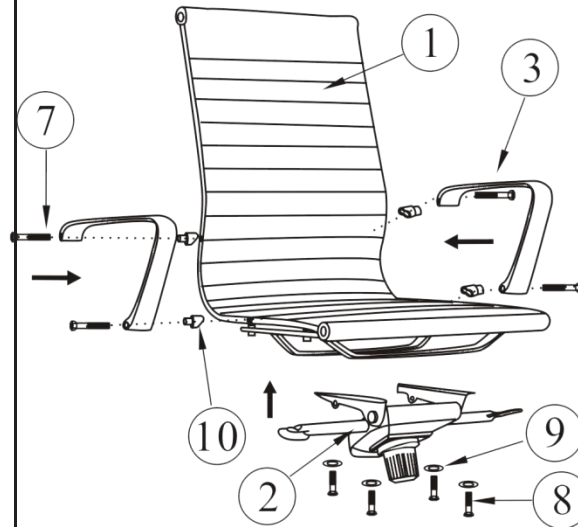
1 CHAIR BODY x1 	2 MULTIFUNCTIONAL MECHANISM x1 	
3 ARM x2 	4 GAS LIFT x1 	
5 BASE x1 	6 CASTER x5 	
7 BOLT M8x50 x4 	8 BOLT M8x20 x4 	
9 FLAT WASHER x4 	10 STEEL SPACER x4 	11 ALLEN KEY M8 x1 

## NOTES

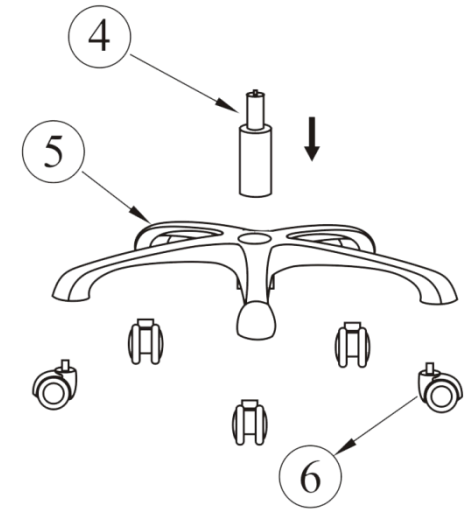
Thank you for purchasing this quality product! Ensure all components and hardware are present before beginning assembly.

**CAUTION:** Test any cleaners on an inconspicuous area of the product to ensure compatibility. Assemble the product on a padded surface to reduce the risk of scratching to the product or your work surface.

## STEP 1.



## STEP 2.



## STEP 3.



## STEP 4.

