

MOE'S

home collection

ASSEMBLY INSTRUCTIONS.












OMEGA SWIVEL OFFICE CHAIR LOW BACK TAN

ZM-1002-40



THANK YOU FOR YOUR PURCHASE!

PARTS AND HARDWARE.

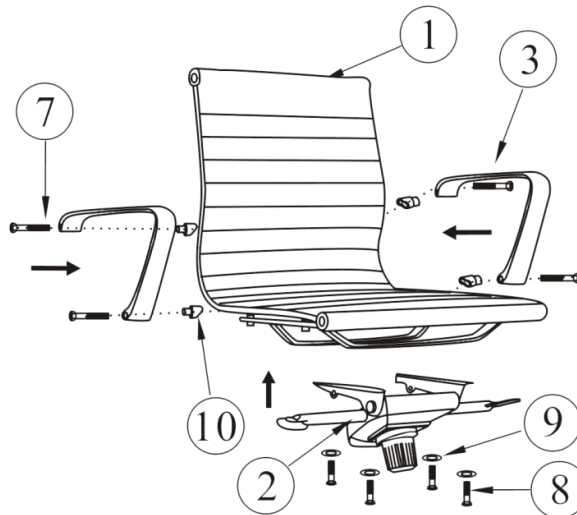
1 CHAIR BODY X1 	2 MULTIFUNCTIONAL MECHANISM X1 	
3 ARM X2 	4 GAS LIFT X1 	
5 BASE X1 	6 CASTER X5 	
7 BOLT M8X50 X4 	8 BOLT M8X20 X4 	
9 FLAT WASHER X4 	10 STEEL SPACER X4 	11 ALLEN KEY M8 X1 

NOTES.

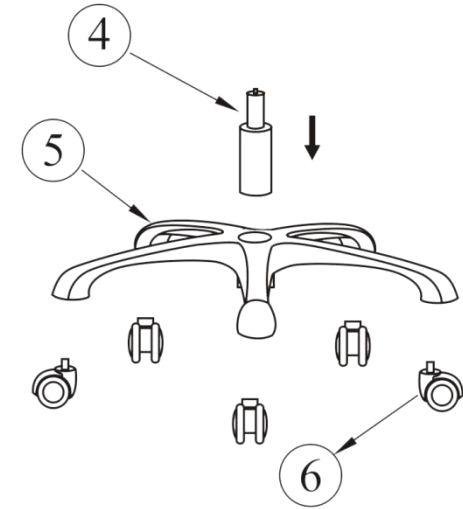
Thank you for purchasing this quality product! Ensure all components and hardware are present before beginning assembly.

CAUTION: Test any cleaners on an inconspicuous area of the product to ensure compatibility. Assemble the product on a padded surface to reduce the risk of scratching to the product or your work surface.

STEP 1.



STEP 2.



STEP 3.



STEP 4.

